

**1**  
**Walker**



**2**  
**Ride-On**



Please keep this instruction sheet for future reference,  
as it contains important information.

Adult assembly is required.

No tools needed for assembly.

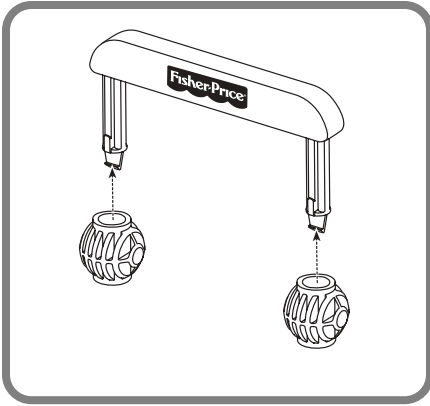


[www.fisher-price.com](http://www.fisher-price.com)

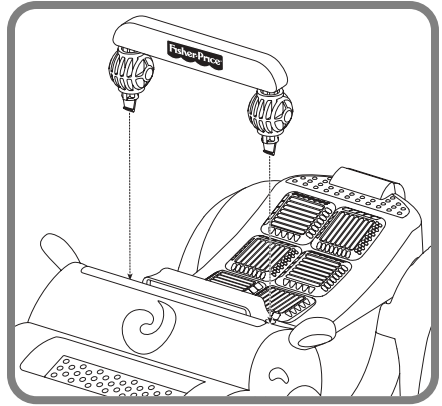
**Gobble & Go™ Hippo**

Download from [www.Somanuals.com](http://www.Somanuals.com). All Manuals Search And Download.

## Assembly

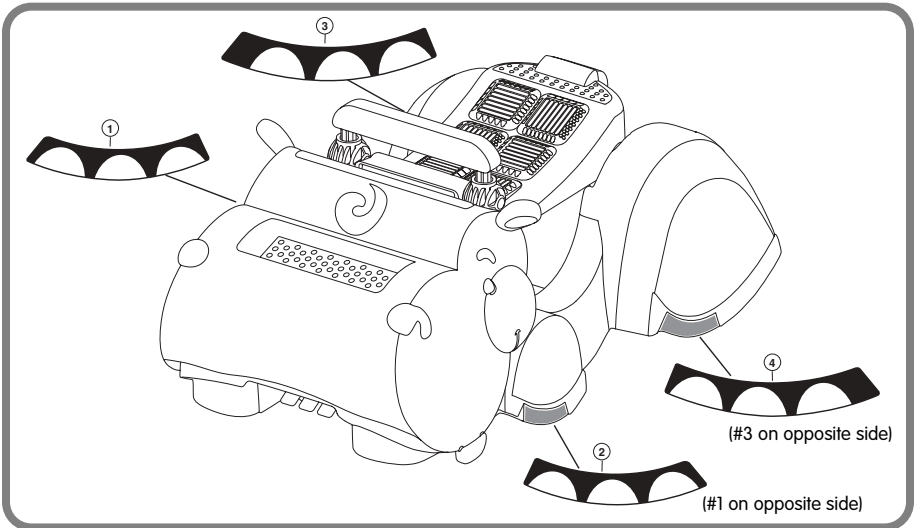


- Fit a bead onto each side of the handle, as shown.



- Position the handle above the seat with the Fisher-Price logo facing the front of the hippo.
- Press and “**snap**” the handle into the two holes in the seat.

## Label Decoration



- Apply the labels as shown in the illustration.
- For best results, wash your hands before applying the labels and make sure the areas to which the labels will be applied are clean and dry. Avoid repositioning a label once it has been applied.

## 2-in-1 Walker to Ride-On!

Early walkers can push the hippo along. As your child grows, shift the handle down to convert to a fun ride-on. As the hippo moves along, his head bobs up and down and he gobbles up blocks.

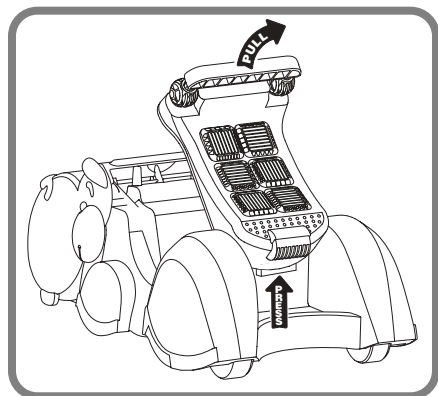


**1**  
Walker

**2**  
Ride-On

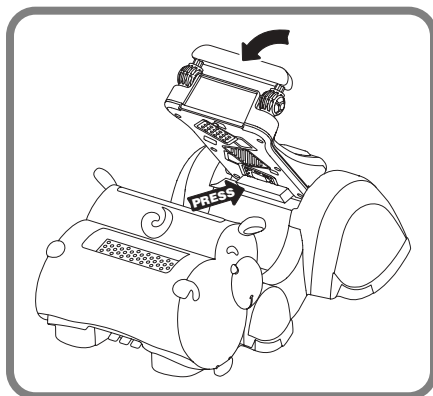


### Converting from Ride-On to Walker



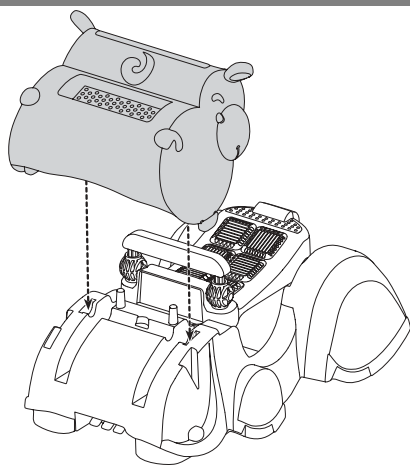
- Locate the rectangular bar under the seat. Press the bar and lift the handle until the seat “**clicks**” in an upright position.

### Converting from Walker to Ride-On



- Locate the rectangular bar in front of the seat. Press the bar and lower the seat down until it “**clicks**” into position.

## Reattaching the Hippo's Head



- If the hippo's head comes off, an adult can easily snap it back on. Just position the head above the front wheels and press firmly to “snap” the head back in place.

## Care

- Wipe this toy with a clean cloth dampened with a mild soap and water solution. Do not immerse this toy.
- This toy has no consumer serviceable parts. Do not take this toy apart.

## Consumer Information

### Questions? We'd like to hear from you!

Call Fisher-Price® Consumer Relations, toll-free at **1-800-432-5437**, 8 AM - 6 PM EST Monday through Friday. Hearing-impaired consumers using TTY/TDD equipment, please call 1-800-382-7470. Or, write to: Fisher-Price® Consumer Relations, 636 Girard Avenue, East Aurora, New York 14052.

#### For countries outside the United States:

**CANADA Questions? 1-800-567-7724.** Mattel Canada Inc., 6155 Freemont Blvd., Mississauga, Ontario L5R 3W2.

**GREAT BRITAIN** Mattel UK Ltd, Vanwall Business Park, Maidenhead SL6 4UB. Helpline: 01628 500302.

**AUSTRALIA** Mattel Australia Pty. Ltd., 658 Church Street, Locked Bag #870, Richmond, Victoria 3121 Australia. Consumer Advisory Service 1300 135 312.

**NEW ZEALAND** 16-18 William Pickering Drive, Albany 1331, Auckland.

**ASIA** Mattel East Asia Ltd, Room 1106, South Tower, World Finance Centre, Harbour City, Tsimshatsui, HK, China.

Fisher-Price, Inc., a subsidiary of Mattel, Inc. East Aurora, New York 14052, U.S.A.

©2004 Mattel, Inc. All Rights Reserved. ® and ™ designate U.S. trademarks of Mattel, Inc.

PRINTED IN MEXICO

Download from [Www.Somanuals.com](http://Www.Somanuals.com). All Manuals Search And Download.

C5843pr-0920

## Free Manuals Download Website

<http://myh66.com>

<http://usermanuals.us>

<http://www.somanuals.com>

<http://www.4manuals.cc>

<http://www.manual-lib.com>

<http://www.404manual.com>

<http://www.luxmanual.com>

<http://aubethermostatmanual.com>

Golf course search by state

<http://golfingnear.com>

Email search by domain

<http://emailbydomain.com>

Auto manuals search

<http://auto.somanuals.com>

TV manuals search

<http://tv.somanuals.com>