



Please keep this instruction sheet for future reference, as it contains important information.

Requires three "AA" (LR6) **alkaline** batteries (not included).

Adult assembly is required.

Tool required for assembly: Phillips screwdriver (not included).

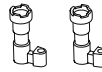


# Parts

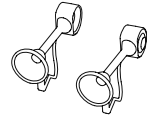


## CAUTION

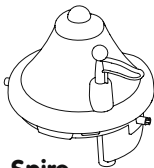
This product contains small parts in its unassembled state. Adult assembly is required.



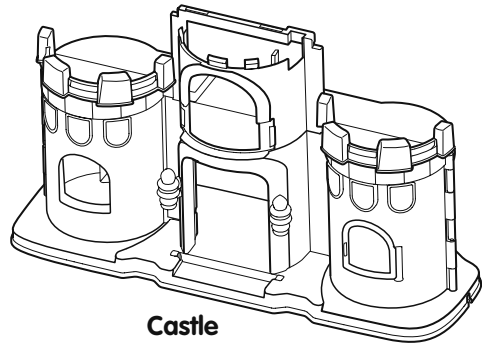
2 Posts



2 Horns



Spire



Castle



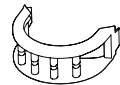
#4 x  $\frac{3}{4}$ " Screw - 4

**Shown Actual Size**

**Note:** Tighten and loosen screws with a Phillips screwdriver. Do not over-tighten the screws.



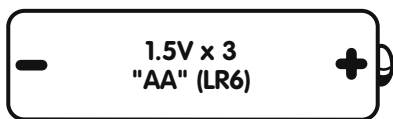
Drawbridge



Balcony

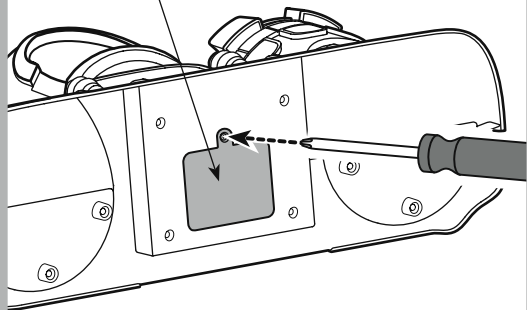
**Parts Not Shown:** 4 Figures, 2 Thrones, Table, Bed, 2 Fences, 2 Dragons, Horse, 2 Unicorns, Crate, Cart, Cave, Fort, Boulder

## Battery Installation




SHOWN ACTUAL SIZE

### Battery Compartment Door



Bottom View

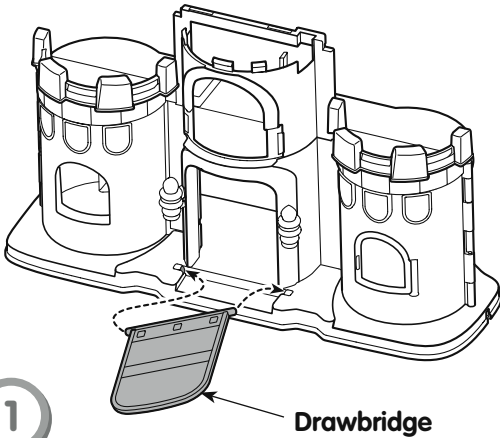
- Locate the battery compartment on the bottom of the toy.
  - Loosen the screw in the battery compartment door. Remove the battery compartment door.
  - Insert three "AA" (LR6) **alkaline** batteries.
- Hint: We recommend using **alkaline** batteries for longer battery life.*
- Replace the battery compartment door and tighten the screw.
  - When sounds from this toy become faint or stop, it's time for an adult to change the batteries.
-  • Protect the environment by not disposing of this product with household waste (2002/96/EC). Check your local authority for recycling advice and facilities (Europe only).

## Battery Safety Information

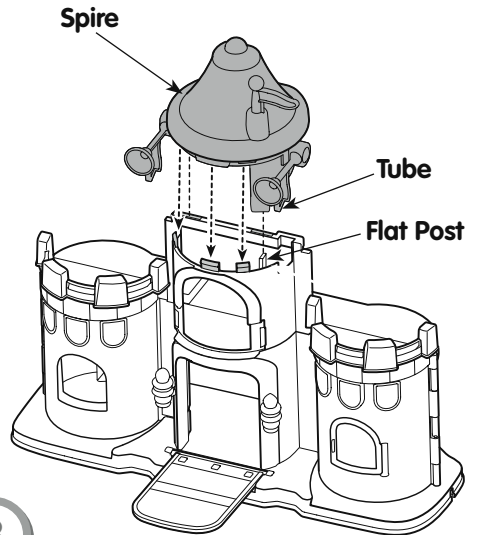
In exceptional circumstances, batteries may leak fluids that can cause a chemical burn injury or ruin your product. To avoid battery leakage:

- Do not mix old and new batteries or batteries of different types: alkaline, standard (carbon-zinc) or rechargeable (nickel-cadmium).
- Insert batteries as indicated inside the battery compartment.
- Remove batteries during long periods of non-use. Always remove exhausted batteries from the product. Dispose of batteries safely. Do not dispose of product in a fire. The batteries inside may explode or leak.
- Never short-circuit the battery terminals.
- Use only batteries of the same or equivalent type, as recommended.
- Do not charge non-rechargeable batteries.
- Remove rechargeable batteries from the product before charging.
- If removable, rechargeable batteries are used, they are only to be charged under adult supervision.

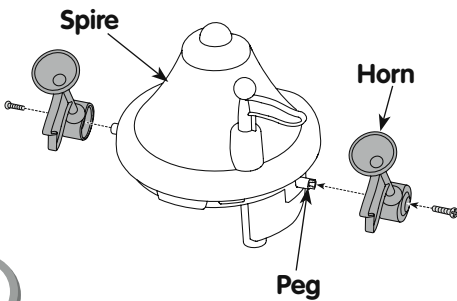
# Assembly



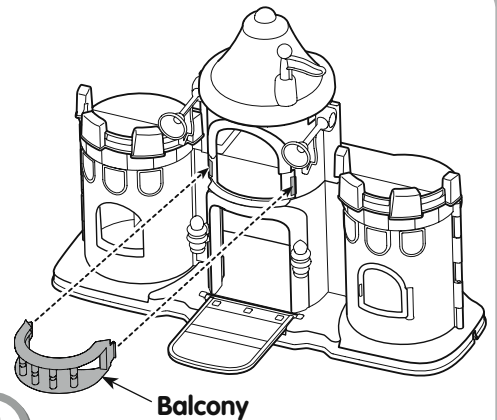
- Position the drawbridge so that the door-knocker is facing down.
- Insert the peg on one end of the drawbridge into the hole in the base of the castle.
- Bend the drawbridge slightly and insert the other peg into the other hole in the base of the castle.



- Fit the spire onto the top of the castle, being sure that the tube on the bottom of the spire fits over the flat post.
- Press down on the spire to “snap” it into place.



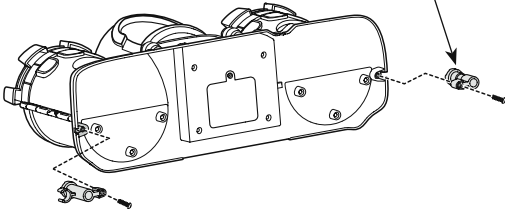
- Fit a horn onto the peg on each side of the spire.
- Insert a screw into each horn. Tighten the screws.



- “Snap” the balcony into the slots in the front of the castle.

## Assembly

Post



5

Bottom View

- Fit the fence posts to the pegs on the bottom of the castle.
- Insert a screw into each post and tighten.

## Royal Fun For Everyone!

Push the tower flag. The drawbridge lowers while trumpets blare.



**On/Off Switch**

Slide the On/Off switch to ● to turn the toy on and to ○ to turn it off.

## Care

- Wipe the toy with a clean cloth dampened with a mild soap and water solution.
- Do not immerse the toy.

## FCC Statement

### United States Only

This equipment has been tested and found to comply with the limits for a Class B digital device, pursuant to Part 15 of the FCC Rules. These limits are designed to provide reasonable protection against harmful interference in a residential installation. This equipment generates, uses and can radiate radio frequency energy and, if not installed and used in accordance with the instructions, may cause harmful interference to radio communications. However, there is no guarantee that interference will not occur in a particular installation. If this equipment does cause harmful interference to radio or television reception, which can be determined by turning the equipment off and on, the user is encouraged to try to correct the interference by one or more of the following measures:

- Reorient or relocate the receiving antenna.
- Increase the separation between the equipment and receiver.
- Consult the dealer or an experienced radio/TV technician for help.

Note: Changes or modifications not expressly approved by the manufacturer responsible for compliance could void the user's authority to operate the equipment.

## Consumer Information

### Visit us on line at [www.service.fisher-price.com](http://www.service.fisher-price.com)

Call Fisher-Price® Consumer Relations, toll-free at **1-800-432-5437**, 9 AM – 7 PM (EST) Monday through Friday and 11 AM – 5 PM (EST) Saturday. Hearing-impaired consumers using TTY/TDD equipment, please call **1-800-382-7470**. Write to us at: Fisher-Price® Consumer Relations, 636 Girard Avenue, East Aurora, New York 14052.

### For countries outside the United States:

**CANADA Questions? 1-800-432-5437.** Mattel Canada Inc., 6155 Fremont Blvd., Mississauga, Ontario L5R 3W2; [www.service.mattel.com](http://www.service.mattel.com).

**GREAT BRITAIN:** Mattel UK Ltd, Vanwall Business Park, Maidenhead SL6 4UB. Helpline: 01628 500303; [www.service.mattel.com/uk](http://www.service.mattel.com/uk).

**AUSTRALIA:** Mattel Australia Pty. Ltd., 658 Church Street, Locked Bag #870, Richmond, Victoria 3121 Australia. Consumer Advisory Service 1300 135 312.

**NEW ZEALAND:** 16-18 William Pickering Drive, Albany 1331, Auckland.

**ASIA:** Mattel East Asia Ltd, Room 1106, South Tower, World Finance Centre, Harbour City, Tsimshatsui, HK, China.

## Free Manuals Download Website

<http://myh66.com>

<http://usermanuals.us>

<http://www.somanuals.com>

<http://www.4manuals.cc>

<http://www.manual-lib.com>

<http://www.404manual.com>

<http://www.luxmanual.com>

<http://aubethermostatmanual.com>

Golf course search by state

<http://golfingnear.com>

Email search by domain

<http://emailbydomain.com>

Auto manuals search

<http://auto.somanuals.com>

TV manuals search

<http://tv.somanuals.com>