

# Frigidaire

## Factory Parts Catalog

Product No.	FKFH21F7HWB
Series	Precision
Color	white
Volts	115V
Wiring Diagram	297246001
Owner's Guide	297281400
Market	North America
Energy Guide	297089301

 **Electrolux**

Electrolux Major Appliances  
North & Latin America  
P.O. BOX 212378  
AUGUSTA, GA 30917

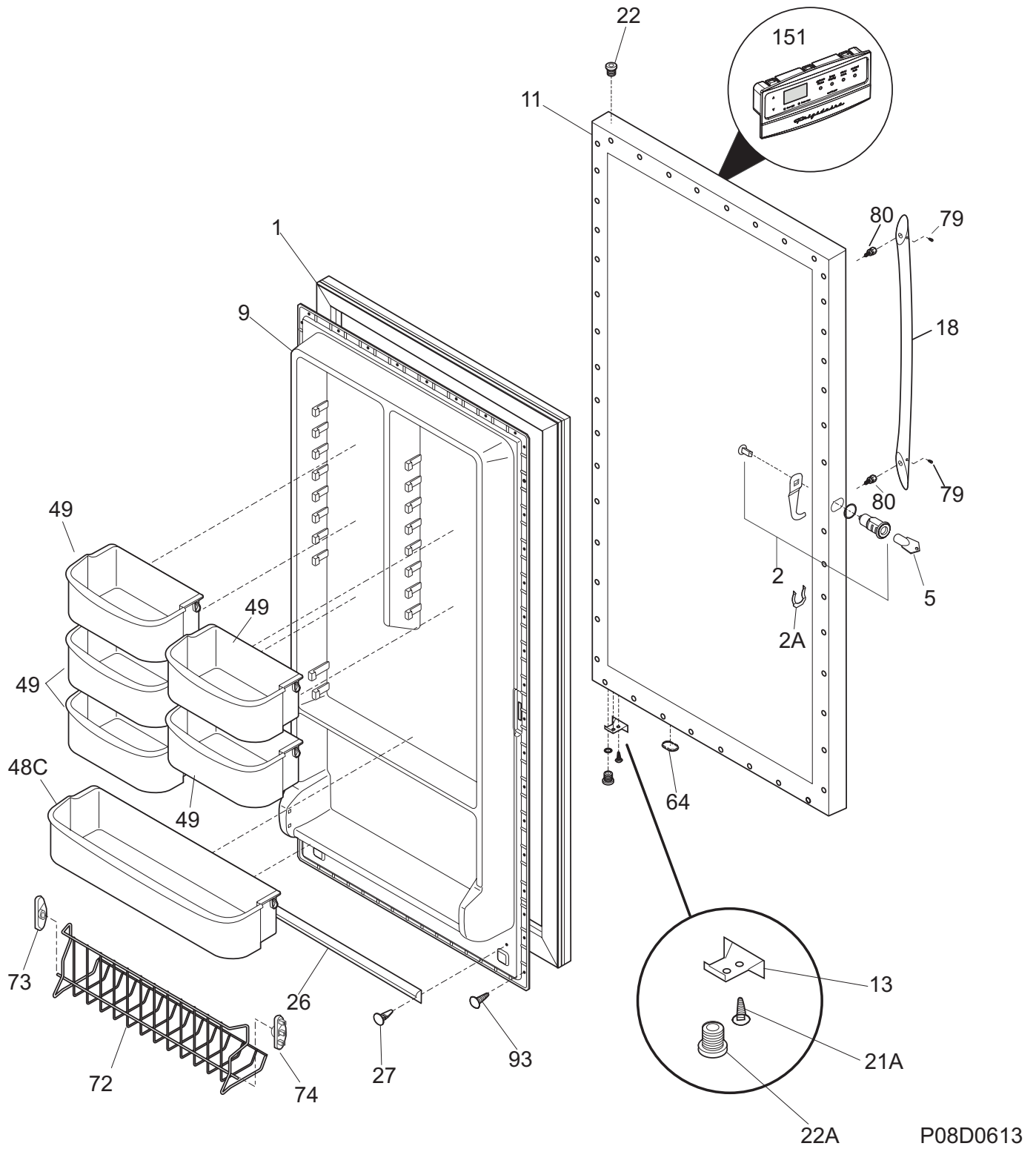
Publication No.  
**5995543476**  
09/06/23  
(EN/SERVICE/MLR)  
365

### UPRIGHT FREEZER

Model No.  
FKFH21F7HW

Copyright © 2009 Electrolux Home Products, Inc.  
All rights reserved.

DOOR



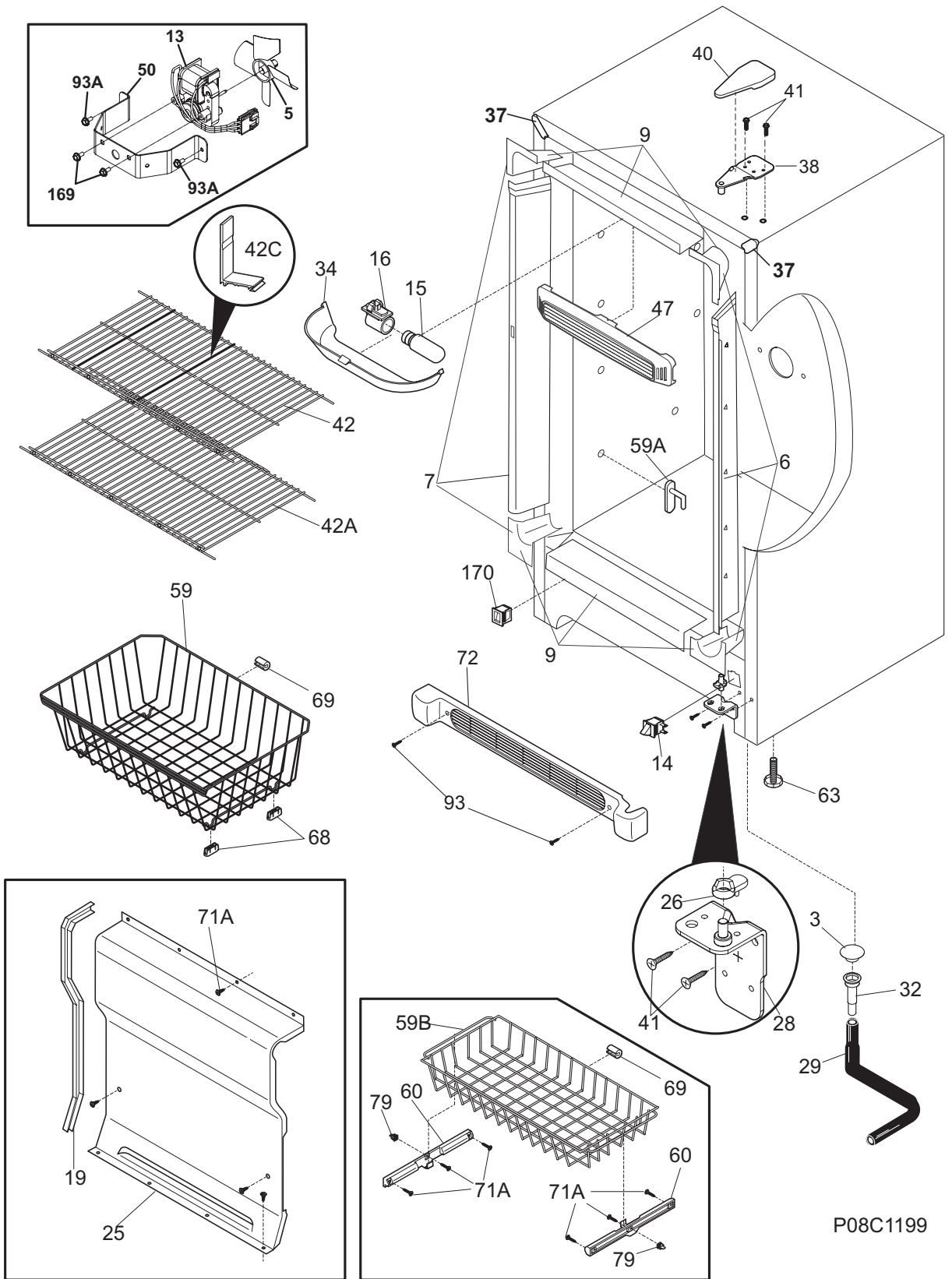
---

**DOOR**


---

POS. NO	PART NO.	DESCRIPTION
1	216522312	Gasket-door, white
2 #	297213400	Lock Assy
2A	297213300	Clip, spring
5	297147700	Key, lock
9	297185900	Panel-inner door, frzr
11	297316702	Panel-outer door, white
13	297257000	Door Stop, chrome, RH
18	297233800	Handle-door, white
*	240537301	Nut-anchor, door hdl screw
21A	297197500	Screw, door stop mtg, FH38-16X.750, P Twin
22	216970800	Bearing, hinge w/o'ring, top
22A	297006800	Bearing-hinge, btm, w/o'ring
26	216524201	Gasket, secondary
27	5304472186	Clip, panel mtg
27*	5304406520	Clip, panel mtg kit, (40)
48C	297225600	Bin-door, gallon
49	297187200	Bin-door, 2-liter
64	216403700	Plug-button, hole filler, door base
72	297186700	Shelf, tilt out, wire
73	216513900	End Cap, shelf, LH, tilt-out
74	216514000	End Cap, shelf, RH, tilt-out
79	218755402	Screw-set, 10-32 x 0.375
80	218755504	Screw-shoulder, #10 AB, handle mounting
93	5304460605	Screw, ph truss head, 8-18AB x 0.500
151#	297241900	Control-electronic, assy, white, 115V

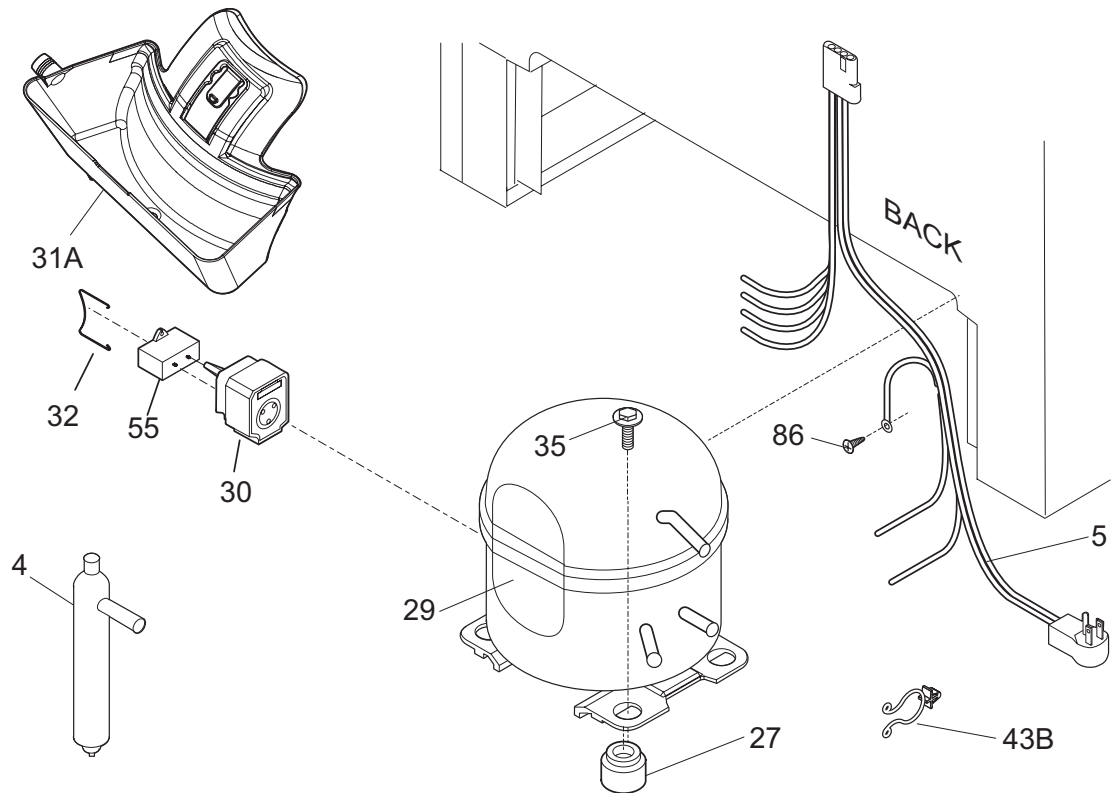
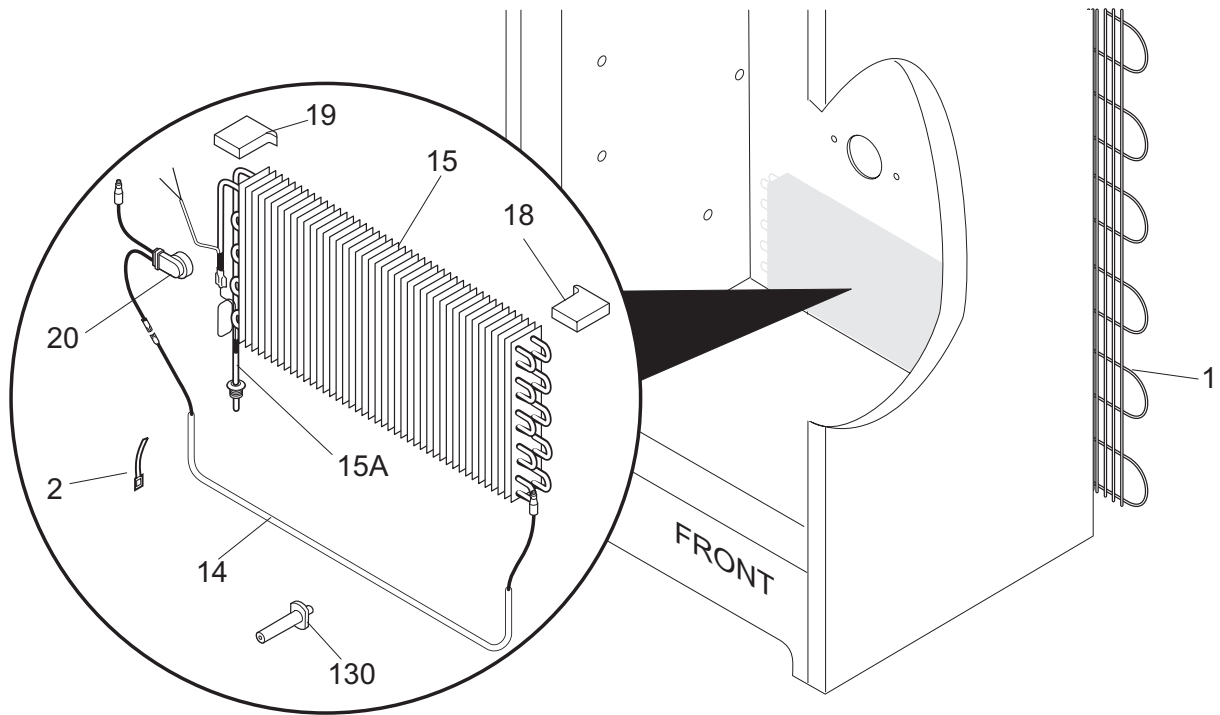
CABINET



**CABINET**

POS. NO	PART NO.	DESCRIPTION
3	216503100	Screen-drain
5 #	216325600	Fan Blade
6	297200900	Breaker Kit w/corners
7	297201100	Breaker Kit w/corners, lock catch
9	297200100	Breaker Kit w/corners, 32", top and bottom
13 #	297250000	Motor, fan, 115 V
14	216998000	Switch, light/lamp, ramp
15	297114000	Light Bulb, short, blue tint, 40W
16	297139500	Socket, light/lamp
19	216204902	Gasket-evap cover
25	297099251	Cover-evaporator
26	216503300	Ramp, door closer
28	297283900	Hinge-bottom, stepped pin
29	216313501	Hose-drain
32	5308005500	Drain
34	297184400	Shield-light
37	241611301	Trim-cabinet corner, white, (2)
38	297283800	Hinge-upper
40	297164400	Cover-hinge
41	297236200	Screw, tamper proof, 1/4-20 x 5/8
42	297119701	Shelf, wire, 16.69x27.88, white, (3)
42A	297119601	Shelf, 14.50x27.88
*	216502400	Grommet-shelf mtg
42C	297183702	Divider, blue, wire shelf
47	297192900	Baffle, air
50	216394050	Bracket, fan motor mount
59	297308900	Basket
59A	216486500	Stop-basket, (2)
59B	297308300	Basket
60	297013500	Slide, basket
63	216396900	Screw, leveling foot, plastic, adjustable
68	08009560	Glide-basket
69	5305878546	Bumper-basket
71A	297146800	Screw, 8-18AB x 0.470
72	297198900	Grille/Kickplate, 32", white
79	3017666	Nut-insert
93	5304460605	Screw, ph truss head, 8-18AB x 0.500
93A	297174300	Screw, #8, 18x.63, self pierce
*	216327800	Clip, wire
169	216912401	Screw, hex washer head, 8-32 x 0.500, bracket fan mtr, (2)
170	297280400	Valve, breather
*	297001704	Insulation, 24", drain tube
*	297089301	Energy Guide
*	5303305324	Paint, touch-up, white
*	297257400	Label, start guide
*	297281200	Instructions, elect guide, Precision

**SYSTEM**



P08S0485

---

**SYSTEM**


---

POS. NO	PART NO.	DESCRIPTION
1 #	5300083897	Condenser
2	5308000110	Strap-evap/heater, aluminum, (2)
4	216987500	Drier-filter
5 #	297237601	Harness-main
14	297216101	Heater-defrost
15 #	216997300	Evaporator
15A	297217900	Heat Exchanger, suct/cap tube
16	297139500	Socket, light/lamp
18	297078701	Insulator-evap, styrofoam, RH
19	297078801	Insulator-evap, styrofoam, LH
20	297216600	Thermostat, defrost
27	5308002681	Grommet, compressor
29 #	297223500	Compressor, w/o electricals
30	216954218	Controller
31A	297217000	Pan-drain
32	216954300	Clip, controller
35	240491503	Screw-compressor mtg, 1/4-28 x 1.16, (4)
43B	297048400	Clip
55	216985001	Capacitor-run, 15 MF
86	216036601	Screw, RWHD, 8-32A x 0.500, GX-CA
130	297244700	Support, evaporator mtg
*	216502500	Sleeve, suction line
*	240555002	Screw-#8-32 X 3/8
*	297014500	Plug-suction line
*	297018400	Thermistor
*#	297169904	Cord-power

## Free Manuals Download Website

<http://myh66.com>

<http://usermanuals.us>

<http://www.somanuals.com>

<http://www.4manuals.cc>

<http://www.manual-lib.com>

<http://www.404manual.com>

<http://www.luxmanual.com>

<http://aubethermostatmanual.com>

Golf course search by state

<http://golfingnear.com>

Email search by domain

<http://emailbydomain.com>

Auto manuals search

<http://auto.somanuals.com>

TV manuals search

<http://tv.somanuals.com>