

380 AC Art. 4026

- D Betriebsanleitung**
Accu-Spindelmäher
-
- GB Operating Instructions**
Accu Rechargeable Cylinder Lawnmower
-
- F Mode d'emploi**
Tondeuse hélicoïdale sur accu
-
- NL Instructies voor gebruik**
Accu-kooimesmaaier
-
- S Bruksanvisning**
Sladdlös Cylinderklippare
-
- I Istruzioni per l'uso**
Rasaprato a batteria
-
- E Manual de instrucciones**
Cortacésped helicoidal Accu
-
- P Instruções de utilização**
Máquina de cortar relva Accu, com fuso
-
- DK Brugsanvisning**
Accu håndplæneklipper

GARDENA Accu Rechargeable Cylinder Lawnmower 380 AC

Welcome to the Garden of GARDENA...



Translation of the original instructions from German. Please read these operating instructions carefully and observe the notes given. Use these instructions to familiarise yourself with the accu cylinder mower, its correct use and the notes on safety.



For safety reasons, children under the age of 16 as well as persons not familiar with these operating instructions should not use this accu cylinder mower.

→ Please keep these operating instructions in a safe place.

Contents

1. Where to Use Your GARDENA Accu Cylinder Mower	12
2. Safety instructions	12
3. Assembly	14
4. Function	15
5. Operation	15
6. Putting into Storage	16
7. Maintenance	17
8. Troubleshooting / Service	18
9. Accessories	20
10. Technical Data	20
11. Warranty	20

1. Where to Use Your GARDENA Accu Cylinder Lawnmower

Intended use

The GARDENA Accu Cylinder Mower has been designed for cutting lawn and grass areas of private houses.

Compliance with these instructions provided by GARDENA is a prerequisite for using the cylinder lawnmower correctly.

Please note



To prevent injury, the GARDENA Accu Cylinder Lawnmower must not be used for cutting and pruning of climbers or grass on roofs.

2. Safety instructions

→ Please read the notes on safety on the Cylinder Lawnmower.



Warning!

→ Please read the operating instructions before using the mower!



Warning!

Sharp blades!



Danger! Risk of injury!

→ Keep bystanders away!



→ Remove the key before carrying out all maintenance work.

Checks before each operation :

Before use, an inspection is always to be performed in order to determine that all nuts, bolts and working tools are not worn down or damaged. Worn down or damaged blades are to be replaced in sets.

Do not use the accu cylinder mower if safety devices (switch handle, safety key, start button, cover for cutting mechanism) and/ or the cutting cylinder are damaged or worn. Never operate the unit with the safety devices bypassed or missing.

Inspect the surface on which the lawn mower is to be used beforehand . Stones, pieces of wood and wires as well as other solid matter must be removed.

Objects, which are contacted by the cutting tools, could be thrown out uncontrollably or damage the cutting mechanism.

Proper use / Responsibility :

Warning ! Take note that the rotating blade cylinder could cause injuries.

→ **Never place your hands or feet on or under moving parts.**

Do not use the lawnmower while people, especially children or animals, are directly nearby. The operator is liable for damages.

The safety distance between the blade cylinder and the operator that is created by the guiding spar is to be always maintained.

When mowing embankments and slopes, special care is to be taken:

→ make sure you always have a safety distance and wear shoes with a non-slip sole and long trousers. Always cut diagonally to the slope.

→ Do not mow excessively steep slopes.

Take special care when moving backwards and when pulling the lawn mower. Danger of stumbling!

If, despite taking precautions, you strike an object when working or the mower starts to vibrate vigorously, release the switch handle. Remove the key from the socket. Remove the blockage; check the mower for any damage and have it repaired if necessary.

→ Only work when visibility is good.

Never leave the cylinder mower unattended. If you interrupt your work, remove the key and store the cylinder mower in a safe place.

Guide the mower at a walking pace only.

Electric Security :

This Accu Cylinder Lawnmower can cause serious injuries!

→ **To prevent injuries, never start the motor when the mower is tipped.**

Only insert the key into the socket when you plan to start working with the Motor Mower.

Familiarise yourself with the surroundings of your working area. Check for possible risks which might be not audible due to the noise of the machine.

Please observe the prescribed local quiet times.

When you interrupt work to move to another working area, always switch off your accu cylinder mower and remove the key from the socket.

Do not operate your Cylinder Lawnmower near swimming pools or garden ponds.

Never use the unit when it is raining or in damp or wet areas.

Accu Security :

Danger ! Short-circuit – fire risk!

→ **Contacts should never be bridged with metal!**

Danger of fire !

Never charge the Accu anywhere near acids and easily inflammable materials.

Danger of explosion! Do not throw the used Accu into fire under any circumstances.

Only charge the Accu with the charger supplied! Using other charging units could lead to damage and injury.

Protect the Accu from excessive sunlight.

Using a charger other than the GARDENA charger supplied releases GARDENA from all liability and warranty claims.

Keep the charger in a dry place.

Only charge the Accu in a dry place.

Only use the Accu for the Rechargeable Cylinder Lawnmower.

The mower cannot be started as long as the charger is plugged in!

Protect the charging socket against dirt and moisture.

The cylinder lawnmower may not be powered by any battery other than the one supplied for it. Under no circumstances use a battery that is not rechargeable.

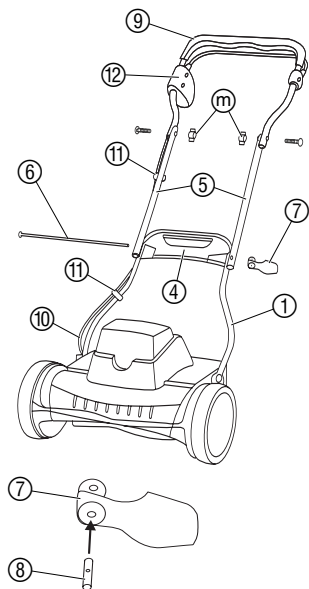
If the battery develops a leak, remove the safety key, put on gloves, remove the battery and dispose of it.

Do not touch battery acid.
If acid comes in contact with the eyes, wash

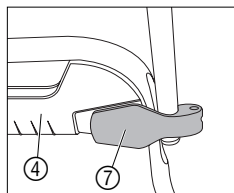
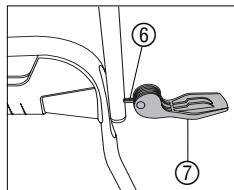
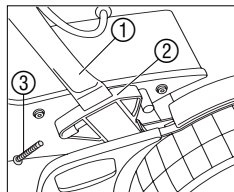
out immediately with water and send for a doctor.

3. Assembly

Assembling the handle:



1. Insert lower part of bottom upright ① into upright holders ② up to stop and secure with the screws ③.
2. Push connector ④ from underneath into upper part of bottom upright ①.
3. Insert threaded rod ⑥ from left through lower parts of central upright ⑤, upper part of bottom upright ① and connector ④ right up to the stop.
4. Slide threaded bearing ⑧ into clamping lever ⑦.
5. Screw clamping lever ⑦ onto threaded rod ⑥ approx. 4 turns.
6. Move clamping lever ⑦ onto connector ④ and check whether clamping lever ⑦ locks.
7. If clamping lever ⑦ does not yet lock, screw another turn onto threaded rod ⑥. Repeat procedure until clamping lever ⑦ locks on connector ④.
8. Firmly attach bottom part of top upright ⑨ to upper parts of central upright ⑤ using 2 wing nuts m.



The safety starter lock ⑫ on the crossbar ⑨ must then be on the left.

9. Fix the motor cable ⑩ to the upright with the two cable clips ⑪.

Fit Accu:



Warning! Short-circuit – fire risk!

→ **Accu-contacts should never be bridged with metal!**

The Accu is supplied charged at the factory but may lose charge if it has been stored for a long time. Charge the Accu before using it for the first time (see 7. Maintenance *Charging the Accu*).

1. Press Accu cover ⑬ lightly at the front and open.
2. Insert the Accu ⑭ into the Accu compartment with the connections pointing towards the flat plugs ⑮.

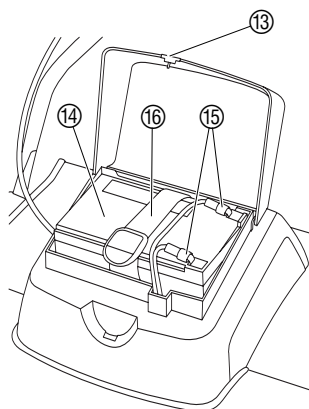


Warning!

The polarity +/- and the colours of the connections on the Accu and the flat cable must match.

→ **Connect flat cable ⑮ to the Accu connections, matching the terminals (see adhesive label on the Accu).**

1. Secure Accu ⑭ with the retaining strap ⑯.
2. Close Accu cover ⑬.



4. Function

Mowing correctly:

To produce a well-maintained lawn we recommend cutting the lawn one a week if possible. The lawn becomes thicker if cut frequently.

Relatively long cut grass (> 1 cm) must be removed so that the lawn does not become yellow and matted.

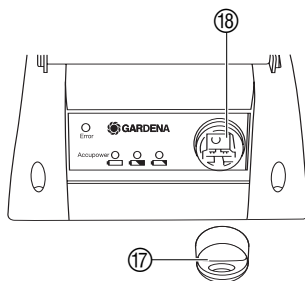
After relatively long intervals between mowing (**holiday lawn**), up to max. 12 cm, first of all cut in one direction with the cutting height as high as possible, then cut in the crosswise direction at the cutting height required.

If possible, only cut the grass when it is dry, if the grass is damp, the cutting pattern will be uneven.

The area of lawn you can mow with one charged accu depends on the height and thickness of the lawn, i.e. the taller and thicker the lawn, the smaller the area of lawn you can mow with one fully charged Accu.

5. Operation

Starting the cylinder mower:



Risk of injury if the cylinder mower does not switch off automatically!

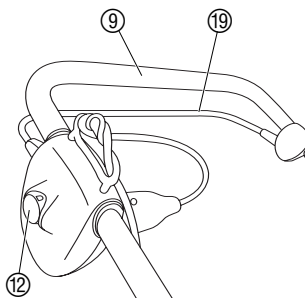
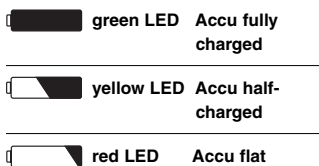
→ Do **not** remove or bypass safety devices on the cylinder mower (e.g. by tying the starting handle to the upper part of the upright)!



Danger! Blade cylinder continues to turn after switching off!

- Never lift, tilt or carry the cylinder mower with the motor running!
- Never start the mower on a paved surface (e. g. asphalt).
- Always maintain the safety distance between the blade cylinder and the user set by the guide handle.

Charge display:



1. Stand the cylinder mower on a level part of the lawn.
2. Insert the key **17** into the charging socket **18**.
3. Keep safety interlock **12** pressed down and pull the starting handle **19** on the upper handle **9**. *The cylinder mower starts and the charge display lights up for 10 seconds.*
4. Release starter safety lock **12**.

If the red LED (Accu flat) goes on, the Accu must be charged.

The Accu cover must always be kept closed during mowing. The Accu becomes warm when using the cylinder mower. This is normal and does not impair its performance.

Blockage protection: If the cylinder mower is blocked by a foreign body or the motor is overloaded (red Error-LED lights up), the motor is automatically switched off by the blockage protection (loud rattling). Remove key from socket, remove foreign body or rectify the cause of the overloading and restart the mower after a few seconds.

Circuit Breaker: If the Cordless Motor Mower is overloaded over a longer period of time the motor may become hot (Red Error-LED flashes). To protect the motor from overheating the circuit breaker switches the motor off. You can switch the mower on again after approximately 5-10 minutes.

Discharge protection:
The mower switches off automatically as soon as the capacity of the Accu has been exhausted (discharge protection). We recommend recharging the battery straight away.

Note: The accu cylinder mower can be operated with the Accu or without as a hand mower.

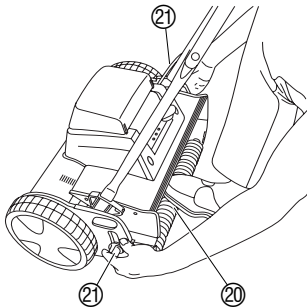
Switching off the cylinder mower:

The key prevents the cylinder mower being switched on accidentally.

1. Release starting handle ⑰.
2. Remove the safety key each time you stop work.

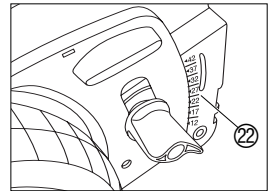
Adjusting the cutting height:

⚠ DANGER! Cutting tool can cause injuries!
→ When adjusting the cutting height, remove the key and wear suitable work gloves.



The cutting height can be set to any position between 12 mm and 42 mm.

1. Stand behind the cylinder mower with one foot on the roller ⑳.
2. Slacken the two locking screws ㉑ and set to the height required on the scale ㉒.
3. Tighten the two locking screws ㉑ on both sides to the same height.



The locking screws ㉑ must always be set to the same height on both sides.

The mower may only be adjusted to a depth in which the lower blade does not touch the ground when it is uneven.

Mowing with the grass collection sack (accessories):

→ Suspend the grass collection sack in the cylinder mower as described in the Operating Instructions.

6. Putting into Storage

Storage:

1. Remove safety key.
2. Charge Accu (see 7. Maintenance).
3. Clean mower before storage and connect to the charger (see 7. Maintenance).
4. Store mower in a dry, frostproof but cool place out of reach of children.

To save space, the cylinder mower can be folded up by folding the clamping lever. Ensure the cable is not trapped during this process.

Disposal:
(in accordance with
RL2002/96/EC)



If the mower is not stored connected constantly to the charger, the Accu must be charged at least every six months because it self-discharges. Self-discharging is reduced at low storage temperatures.

If the Accu is completely flat, e.g. due to too long storage without any recharge, it will get its full efficiency again after several charging cycles.

The product must not be added to normal household waste. It must be disposed of in line with local environmental regulations.

**Disposing of
the Accu:**



The Accu contains lead cells. After their lifetime have expired, they may not be disposed of as normal house rubbish, **but must be disposed of properly.**

Please dispose of the flat Accu via the municipal disposal point.

7. Maintenance



DANGER! Cutting tool can cause injuries!

→ When undertaking maintenance, remove the safety key, wait for the cutting mechanism to stop and put on suitable work gloves.

Cleaning the mower:



Warning! Damage to Accu cylinder mower.

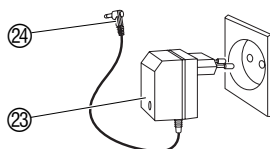
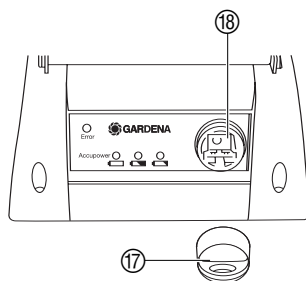
→ Never clean your cylinder mower with running water, in particular with water under high pressure.

Deposits affect the cutting result as well as discharge of grass clippings. Residual dirt and grass is easily removed immediately after mowing.

1. Remove grass deposits with a brush and a cloth.
2. Oil the red cutting mechanism lightly with low viscosity oil (e.g. sprayed oil).

Charge Accu:

We recommend charging the Accu with the charger supplied, **immediately after mowing** with the cylinder mower and leaving it connected to the charger (the Accu cannot be over-charged). Do not wait to charge until the Accu is completely flat.



1. Remove safety key ⑰ from the charging socket ⑱.
2. Insert mains plug of the charger ㉓ in a mains socket.
The red LED goes on.
3. Insert charging plug ㉔ of the charger into the charging socket ⑱.
4. When the green LED of the charger goes on, the Accu is fully charged. (This can take up to 24 hours if the Accu is flat).

When the charger ㉓ is disconnected from the mains, the charging plug ㉔ must also be removed from the charging socket ⑱ as otherwise the Accu will discharge itself via the charger.

8. Troubleshooting / Service



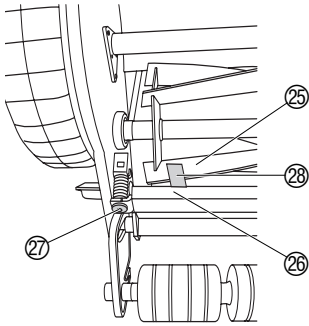
DANGER! Cutting tool can cause injuries!

→ When rectifying faults remove the key and wear suitable work gloves.

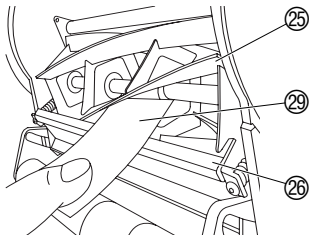
Problem	Possible cause	Remedy
Abnormal noise. Clattering in the mower	Screws / components loose.	→ Tighten screws or send to GARDENA Service.
	Foreign bodies on the blade.	→ Remove foreign bodies.
	Notch in the blade.	→ Remove notches with grindstone.
	Blades are striking each other too hard.	→ Adjust cutting mechanism.
Motor will not start	Key not inserted.	→ Insert the key into the socket.
	Circuit breaker has been triggered (Red Error-LED flashes).	→ Wait approx. 5-10 minutes then turn on the mower again.
	Tab on Accu loose.	→ Open the cover and push the tab receptacle onto the tab.
	Full discharge protection has responded.	→ Charge Accu.
Motor jams and is noisy	Blocked by foreign body. Blocking protection activated. (Red Error-LED flashes).	1. Switch off mower, 2. Remove key. 3. Remove foreign body.
	Cutting load too high.	→ Reduce mowing speed and / or raise cutting height.
Motor turns off	The cutting height you have selected is too low; Circuit breaker has been activated. (Red Error-LED flashes).	Let the motor cool for 5-10 minutes, then use the mower with a higher cutting height and reduce the cutting height in stages until you reach the lower cutting height you require.
Runs unevenly, mower vibrates significantly	Cutting tool damaged.	→ Have cutting tool checked by an authorised specialist dealer or GARDENA-Service.
	Blade very dirty.	→ Clean blade.
Lawn cut unevenly	Blade set incorrectly.	→ Adjust cutting mechanism.
	Cutting mechanism blunt.	Recommendation: → Have cutting mechanism reground or replaced by GARDENA Service.
	Lawn too long.	→ See 4. Function "Mowing Tips".

Readjusting the cutting mechanism:

The cutting gear of your lawn mower was optimally adjusted before leaving our company. If, after longer use, a clean cut of the grass is no longer possible or the blade roller contacts the lower blade, then the lower blade should be adjusted as follows:



1. Unhook upright and clean cylinder mower.
2. Check cylinder 25 and lower blade 26 for notches and remove these with a grindstone if necessary.
3. Unscrew internal hexagon screws 27 with an internal hexagon wrench (5 mm) anticlockwise until the cylinder 25 turns freely.
4. Push the feeler gauge supplied (thin strip of metal) 28 between one blade 25 on the cylinder and the lower blade 26.
5. Tighten left internal hexagon screw 27 with an internal hexagon wrench (5 mm) until the feeler gauge 28 is held gently.
6. Continue turning the cylinder until the blade 25, already adjusted on the left side, is exactly above the lower blade 26 on the right side.
7. Tighten the right internal hexagon screw 27 with an internal hexagon wrench (5 mm) until the feeler gauge 28 is held gently.
8. Rotate cylinder 25. If a banging noise is produced during this, open up the internal hexagon screw 27 slightly on the side affected. *When the cylinder and the lower blade can hardly be heard touching each other, the cutting mechanism has been adjusted correctly.*

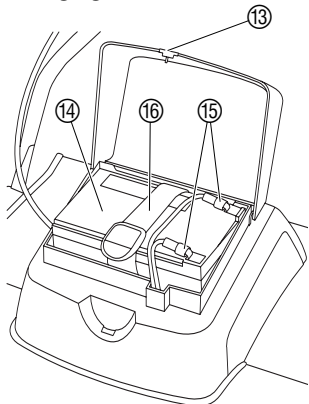


9. Cutting test:

Place a strip of paper 29 in such a way on the lower blade 26 that it points towards the spindle of the cylinder 25.

10. Turn cylinder 25 carefully. *If the lower blade is set correctly 26 the paper will be cut off as if with scissors.*
11. Repeat the cutting test on the other blades 25.

Changing Accu:



If the Accu capacity is completely exhausted or if the Accu can no longer be recharged it must be exchanged. **New Accus** are available directly from GARDENA Service.

1. Press Accu cover 13 lightly at the front and open up and release the tensioning belt 16.
2. Pull flat plug 15 backwards (not by the cable) and disconnect it from the battery connections (see adhesive label on Accu).
3. Remove Accu 14 from the Accu-compartment.
4. Dispose of old Accu (see 6. Putting into Storage).
5. Fit new Accu (see 3. Assembly).



On safety grounds, only original GARDENA spares may be used.

Please contact GARDENA Service if it is necessary to replace the cutting tool, which will only become blunt after several years use if well-maintained.

Repairs:

Have the cylinder mower checked over in the autumn if possible so that it is ready for use immediately when the next lawn-mowing season starts.

If you have any problem with your cylinder mower, please contact our Customer Service.

9. Accessories

GARDENA Grass collecting bag	Saves raking up the cut grass.	Art. No. 4029
GARDENA charging cable for cylinder mower 380 AC	For charging the Accu internally (available from GARDENA Service)	Art.-Nr. 4040-00.900.01
GARDENA Accu-Pack for 380V AC	As a replacement or to increase capacity, sufficient for up to 30 min. operation / a lawn area of 300 m ² .	Art. 4026-00.600.55 (obtainable direct from your GARDENA stockist).

10. Technical Data

380 AC (Art. 4026)	
Cutting width / Cutting height	38 cm / 12 – 42 mm
Cutting height adjustment	infinitely variable
Weight with Accu	15.9 kg
Accu Voltage/capacity	12 V / 12 Ah
Lawn area per Accu-charge	Up to 300 m ² (see 4. Function)
Working area related emission characteristic value $L_{pA}^{1)}$	72 dB (A)
Noise level $L_{WA}^{2)}$	measured 86 dB (A) / guaranteed 87 dB (A)
Vibrations $a_{vhw}^{1)}$	< 2,5 m/s ²

Measuring method 1) according to EN 836 2) according to RL 2000/14/EG

11. Warranty

GARDENA guarantees this product for 2 years (starting from the date of purchase). This guarantee covers all serious defects of the unit that can be proved to be material or manufacturing faults. Under warranty we will either replace the unit or repair it free of charge if the following conditions apply:


- The unit must have been handled properly and in keeping with the requirements of the operating instructions.
- Neither the purchaser or a non-authorised third party have attempted to repair the unit.

The wearing parts blade cylinder (complete) and lower blade are excluded from the warranty.

This manufacturer's guarantee does not affect the user's existing warranty claims against the dealer/seller.

If a fault occurs with your Accu Cylinder Mower, please return the faulty unit together with a copy of the receipt and a description of the fault, with postage paid to one of the GARDENA Service Centres listed on the back of these operating instructions.

<p>D <i>Produkthftung</i></p>	<p>Wir weisen ausdrücklich darauf hin, dass wir nach dem Produkthaftungsgesetz nicht für durch unsere Geräte hervorgerufene Schäden einzustehen haben, sofern diese durch unsachgemäße Reparatur verursacht oder bei einem Teileaustausch nicht unsere Original GARDENA Teile oder von uns freigegebene Teile verwendet werden und die Reparatur nicht vom GARDENA Service oder dem autorisierten Fachmann durchgeführt wird. Entsprechendes gilt für Ergänzungssteile und Zubehör.</p>
<p>GB <i>Product Liability</i></p>	<p>We expressly point out that, in accordance with the product liability law, we are not liable for any damage caused by our units if it is due to improper repair or if parts exchanged are not original GARDENA parts or parts approved by us, and, if the repairs were not carried out by a GARDENA Service Centre or an authorised specialist. The same applies to spare parts and accessories.</p>
<p>F <i>Responsabilité</i></p>	<p>Nous vous signalons expressément que GARDENA n'est pas responsable des dommages causés par ses appareils, dans la mesure où ces dommages seraient causés suite à une réparation non conforme, dans la mesure où, lors d'un échange de pièces, les pièces d'origine GARDENA n'auraient pas été utilisées, ou si la réparation n'a pas été effectuée par le Service Après-Vente GARDENA ou l'un des Centres SAV agréés GARDENA. Ceci est également valable pour tout ajout de pièces et d'accessoires autres que ceux préconisés par GARDENA.</p>
<p>NL <i>Productaansprakelijkheid</i></p>	<p>Wij wijzen er nadrukkelijk op, dat wij op grond van de wet aansprakelijkheid voor producten niet aansprakelijk zijn voor schade ontstaan door onze apparaten, indien deze door onvakkundige reparatie veroorzaakt zijn, of er bij het uitwisselen van onderdelen geen gebruik gemaakt werd van onze originele GARDENA onderdelen of door ons vrijgegeven onderdelen en de reparatie niet door de GARDENA technische dienst of de bevoegde vakman uitgevoerd werd. Ditzelfde geldt voor extra-onderdelen en accessoires.</p>
<p>S <i>Produktansvar</i></p>	<p>Tillverkaren är inte ansvarig för skada som orsakats av produkten om skadan beror på att produkten har reparerats felaktigt eller om, vid reparation eller utbyte, andra än Original GARDENA reservdelar har använts. Samma sak gäller för kompletteringsdelar och tillbehör.</p>
<p>I <i>Responsabilità del prodotto</i></p>	<p>Si rende espressamente noto che, conformemente alla legislazione sulla responsabilità del prodotto, non si risponde di danni causati da nostri articoli se originati da riparazioni eseguite non correttamente o da sostituzioni di parti effettuate con materiale non originale GARDENA o comunque da noi non approvato e, in ogni caso, qualora l'intervento non venga eseguito da un centro assistenza GARDENA o da personale specializzato autorizzato. Lo stesso vale per le parti complementari e gli accessori.</p>
<p>E <i>Responsabilidad de productos</i></p>	<p>Advertimos que conforme a la ley de responsabilidad de productos no nos responsabilizamos de daños causados por nuestros aparatos, siempre y cuando dichos daños hayan sido originados por arreglos o reparaciones indebidas, por recambios con piezas que no sean piezas originales GARDENA o bien piezas autorizadas por nosotros, así como en aquellos casos en que la reparación no haya sido efectuada por un Servicio Técnico GARDENA o por un técnico autorizado. Lo mismo es aplicable para las piezas complementarias y accesorios.</p>
<p>P <i>Responsabilidade sobre o produto</i></p>	<p>Queremos salientar que segundo a lei da responsabilidade do fabricante, nós não nos responsabilizaremos por danos causados pelo nosso equipamento, quando estes ocorram em decorrência de reparações inadequadas ou da substituição de peças por peças não originais da GARDENA, ou peças não autorizadas. A responsabilidade tornar-se-à nula também depois de reparações realizadas por oficinas não autorizadas pela GARDENA. Esta restrição valerá também para peças adicionais e acessórios.</p>
<p>DK <i>Produktansvar</i></p>	<p>Vi gør udtrykkeligt opmærksom på at i henhold til produktansvarsloven er vi ikke ansvarlige for skader forårsaget af vores udstyr, hvis det skyldes uautoriserede reparationer eller hvis dele er skiftet ud og der ikke er anvendt originale GARDENA dele eller dele godkendt af os, eller hvis reparationerne ikke er udført af GARDENA-service eller en autoriseret fagmand. Det samme gælder for ekstra udstyr og tilbehør.</p>

<p>D EU-Konformitätserklärung MaskinenVerordnung (9. GSGVO) / EMVG / Niedersp. RL Der Unterzeichnete GARDENA Manufacturing GmbH, Hans-Lorenser-Str. 40, D-89079 Ulm, bestätigt, dass die nachfolgend bezeichneten Geräte in der von uns in Verkehr gebrachten Ausführung die Anforderungen der harmonisierten EU-Richtlinien, EU-Sicherheitsstandards und produktspezifischen Standards erfüllen. Bei einer nicht mit uns abgestimmten Änderung der Geräte verliert diese Erklärung ihre Gültigkeit.</p>	Bezeichnung des Gerätes: Accu-Spindelmäher Description of the unit: Accu Rechargeable Cylinder Lawnmower Désignation du matériel : Tondeuse hélicoïdale sur accu Omschrijving van het apparaat: Accu-koolmesmaaier Produktbeskrivning: Sladdlös Cylinderklippare Descrizione del prodotto: Rasapratto a batteria Descripción de la mercancía: Cortacésped Accu Descrição do aparelho: Máquina de cortar relva Accu, com fuso Accu håndplæneklipper
<p>GB EU Certificate of Conformity The undersigned GARDENA Manufacturing GmbH, Hans-Lorenser-Str. 40, D-89079 Ulm, hereby certifies that, when leaving our factory, the units indicated below are in accordance with the harmonised EU guidelines, EU standards of safety and product specific standards. This certificate becomes void if the units are modified without our approval.</p>	Beskrivelse af enhederne: Accu håndplæneklipper Typ: Art.-Nr.: Type: Art. No.: Type : Référence : Type: Art. nr.: 380 AC Art.nr. : 4026 Modello: Art. : Tipo: Art. Nº: Tipo: Art. Nº: Type: Varenr. :
<p>F Certificat de conformité aux directives européennes Le constructeur, soussigné : GARDENA Manufacturing GmbH, Hans-Lorenser-Str. 40, D-89079 Ulm, déclare qu'à la sortie de ses usines le matériel neuf désigné ci-dessous était conforme aux prescriptions des directives européennes énoncées ci-après et conforme aux règles de sécurité et autres règles qui lui sont applicables dans le cadre de l'Union européenne. Toute modification portée sur ce produit sans l'accord express de GARDENA supprime la validité de ce certificat.</p>	EU-Richtlinien: Harmonisierte EN: EU directives: 98/37/EC:1998 EN ISO 12000-1 Directives 2006/42/EC:2006 EN ISO 12100-2 européennes : EN 836 EU-richtlijnen: 2006/95/EC EN 836 EU direktiv: 2004/108/EC EN 60335-1 Direttive UE: 93/68/EC EN 60335-2-77 Normativa UE: 2000/14/EC ISO 4871 Directrices da UE: 2000/14/EC ISO 4871 EU Retningslinier:
<p>NL EU-overeenstemmingsverklaring Ondergetekende GARDENA Manufacturing, Hans-Lorenser-Str. 40, D-89079 Ulm, bevestigt, dat de volgende genoemde apparaten in de door ons in de handel gebrachte uitvoering voldoen aan de eis van, en in overeenstemming zijn met de EU-richtlijnen, de EU-veiligheidsstandaard en de voor het product specifieke standaard. Bij een niet met ons afgestemde verandering aan de apparaten verliest deze verklaring haar geldigheid.</p>	Hinterlegte Dokumentation: Konformitätsbewertungsverfahren: GARDENA – Nach 2000/14EG Technische Dokumentation Art. 14 Anhang VI
<p>S EU Tillverkarintyg Undertecknad firma GARDENA Manufacturing GmbH, Hans-Lorenser-Str. 40, D-89079 Ulm, intygar härmed att nedan nämnda produkter överensstämmer med EU:s direktiv, EU:s säkerhetsstandard och produktspecifikation. Detta intyg upphör att gälla om produkten ändras utan vårt tillstånd.</p>	Schall-Leistungspegel: gemessen / garantiert Noise level: measured / guaranteed Puissance acoustique : mesurée / garantie Geluidsniveau: gemeten / gegarandeerd Ljudnivå: uppmätt / garanterad Livello rumorosità: testato / garantito Nível sonoro: medido / garantizado Nível de ruído: medido / garantido Lytrykksniveau: atmått / garanti 86 dB(A) / 87 dB(A)
<p>I Dichiarazione di conformità alle norme UE La sottoscritta GARDENA Manufacturing GmbH, Hans-Lorenser-Str. 40, D-89079 Ulm, certifica che il prodotto qui di seguito indicato, nei modelli da noi commercializzati, è conforme alle direttive armonizzate UE nonché agli standard di sicurezza e agli standard specifici di prodotto. Qualunque modifica apportata al prodotto senza nostra specifica autorizzazione invalida la presente dichiarazione.</p>	Anbringningsjahr der CE-Kennzeichnung: Year of CE marking: Date d'apposition du marquage CE : Installatiejaar van de CE-aanduiding: 2004 CE-Märkningsår: Anno di rilascio della certificazione CE : Colocación del distintivo CE : Ano de marcação pela CE : CE-Mærkningsår:
<p>E Declaración de conformidad de la UE El que suscribe GARDENA Manufacturing, Hans-Lorenser-Str. 40, D-89079 Ulm, declara que la presente mercancía, objeto de la presente declaración, cumple con todas las normas de la UE, en lo que a normas técnicas, de homologación y de seguridad se refiere. En caso de realizar cualquier modificación en la presente mercancía sin nuestra previa autorización, esta declaración pierde su validez.</p>	
<p>P Certificado de conformidade da UE Os abaixo mencionados GARDENA Manufacturing GmbH, Hans-Lorenser-Str. 40, D-89079 Ulm, por este meio certificam que ao sair da fábrica o aparelho abaixo mencionado está de acordo com as diretrizes harmonizadas da UE, padrões de segurança e de produtos específicos. Este certificado ficará nulo se a unidade for modificada sem a nossa aprovação.</p>	 Peter Lameli Technische Leitung Technical Dept. Manager Direction technique Hoofd technische dienst Technical Director Direzione Tecnica Dirección Técnica Director Técnico Teknisk direktør
<p>DK EU Overensstemmelse certificat Undertegnede GARDENA Manufacturing GmbH, Hans-Lorenser-Str. 40, D-89079 Ulm bekræfter hermed, at enheder listet herunder, ved afsendelse fra fabrikken, er i overensstemmelse med harmoniserede EU retningslinier, EU sikkerhedsstandarder og produktspecifikationsstandarder. Dette certifikat træder ud af kraft hvis enhederne er ændret uden vor godkendelse.</p>	Ulm, den 01.08.2004 Ulm, 01.08.2004 Fait à Ulm, le 01.08.2004 Ulm, 01-08-2004 Ulm, 2004.08.01. Ulm, 01.08.2004 Ulm, 01.08.2004 Ulm, 01.08.2004 Ulm, 01.08.2004 Ulm, 01.08.2004

Deutschland / Germany

GARDENA
Manufacturing GmbH
Service Center
Hans-Lorenser-Straße 40
D-89079 Ulm
Produktfragen:
(+49) 731 490-123
Reparaturen:
(+49) 731 490-290
service@gardena.com

Argentina

Argensem® S.A.
Calle Colonia Japonesa s/n
(1625) Loma Verde
Escobar, Buenos Aires
Phone: (+54) 34 88 49 40 40
info@argensem.com.ar

Australia

Nylex Consumer Products
50-70 Stanley Drive
Somerton, Victoria, 3062
Phone: (+61) 1800 658 276
spare.parts@nylex.com.au

Austria / Österreich

GARDENA
Österreich Ges.m.b.H.
Stettnerweg 11-15
2100 Korneuburg
Tel.: (+43) 22 62 7 45 45 36
kundendienst@gardena.at

Belgium

GARDENA Belgium NV/SA
Sterrebeekstraat 163
1930 Zaventem
Phone: (+32) 2 7 20 92 12
Mail: info@gardena.be

Brazil

Palash Comércio e
Importação Ltda.
Rua São João do Araguaia,
338 – Jardim Califórnia –
Barueri – SP – Brasil –
CEP 06409-060
Phone: (+55) 11 4198-9777
eduardo@palash.com.br

Bulgaria

Хускварна България ЕООД
1799 София
Бул. „Андрей Ляпчев“ № 72
Тел.: 02/ 8755148, 9753076
www.husqvarna.bg

Canada

GARDENA Canada Ltd.
100 Summerlea Road
Brampton, Ontario L6T 4X3
Phone: (+1) 905 792 9330
info@gardenacanada.com

Chile

Antonio Martinic y Cia Ltda.
Cassillas 272
Centro de Cassillas
Santiago de Chile
Phone: (+56) 2 20 10 708
garfar_cl@yahoo.com

Costa Rica

Compania Exim
Euroberoamericana S.A.
Los Colegios, Moravia,
200 metros al Sur del Colegio
Saint Francis - San José
Phone: (+506) 297 68 83
exim_euro@racsa.co.cr

Croatia

KLIS d.o.o.
Stanciceva 79
10419 Vukovina
Phone: (+385) 1 622 777 0
gardena@klis-trgovina.hr

Cyprus

FARMOKIPIKI LTD
P.O. Box 7098
74, Digeni Akritra Ave.
1641 Nicosia
Phone: (+357) 22 75 47 62
condam@spidernet.com.cy

Czech Republic

GARDENA spol. s r.o.
Tuřanka 115
627 00 Brno
Phone: (+420) 800 100 425
gardena@gardenabrno.cz

Denmark

GARDENA Norden AB
Salgsafdeling Danmark
Box 9003
S-200 39 Malmö
info@gardena.dk

Finland

Oy Husqvarna Ab
Lautatarhankatu 8b / PL 3
FI-00581 HELSINKI

France

GARDENA
PARIS NORD 2
69, rue de la Belle Etoile
BP 57080
ROISSY EN FRANCE
95948 ROISSY CDG CEDEX
Tél. (+33) 0826 101 455
service.consommateurs@
gardena.fr

Great Britain

Husqvarna UK Ltd
Preston Road
Aycliffe Industrial Park
Newton Aycliffe
County Durham
DL5 6UP
info.gardena@husqvarna.co.uk

Greece

Agrokip
Psofadopoulos S.A.
Ifaistou 33A
Industrial Area Koropi
194 00 Athens Greece
V.A.T. EL093474846
Phone: (+30) 210 6620 225
service@agrokip.gr

Hungary

GARDENA
Magyarország Kft.
Késmárk utca 22
1158 Budapest
Phone: (+36) 80 20 40 33
gardena@gardena.hu

Iceland

Ó. Johnson & Kaaber
Tunguhalsi 1
110 Reykjavik
ooj@ojk.is

Ireland

Michael McLoughlin & Sons
Hardware Limited
Long Mile Road
Dublin 12

Italy

GARDENA Italia S.p.A.
Via Donizetti 22
20020 Lainate (Mi)
Phone: (+39) 02.93.94.79.1
info@gardenaitalia.it

Japan

KAKUICHI Co. Ltd.
Sumitomo Realty &
Development Kojimachi
BLDG., 8F
5-1 Nibanncyo, Chiyoda-ku
Tokyo 102-0084
Phone: (+81) 33 264 4721
m_ishihara@kaku-ichi.co.jp

Luxembourg

Magasins Jules Neuberg
39, rue Jacques Stas
Luxembourg-Gasperich 2549
Case Postale No. 12
Luxembourg 2010
Phone: (+352) 40 14 01
api@neuberg.lu

Netherlands

GARDENA Nederland B.V.
Postbus 50176
1305 AD ALMERE
Phone: (+31) 36 521 00 00
info@gardena.nl

Neth. Antilles

Jonka Enterprises N.V.
Sta. Rosa Weg 196
P.O. Box 8200, Curaçao
Phone: (+599) 9 767 66 55
pgm@jonka.com

New Zealand

NYLEX New Zealand Limited
Building 2, 118 Savill Drive
Mangere, Auckland
Phone: (+64) 0800 22 00 88
spare.parts@nylex.com.au

Norway

GARDENA Norden AB
Salgskontor Norge
Karihaugveien 89
1086 Oslo
info@gardena.no

Poland

GARDENA Polska Sp. z o.o.
Szymanów 9 d
05-532 Baniocza
Phone: (+48) 22 727 56 90
gardena@gardena.pl

Portugal

GARDENA Portugal Lda.
Sintra Business Park
Edifício 1, Fracção 0-G
2710-089 Sintra
Phone: (+351) 21 922 85 30
info@gardena.pt

Romania

MADEX INTERNATIONAL SRL
Soseaua Odaii 117-123,
Sector 1,
București, RO 013603
Phone: (+40) 21 352 76 03
madex@ines.ro

Russia / Россия

ООО ГАРДЕНА РУС
123007, г. Москва
Хорошевское шоссе, д. 32А
Тел.: (+7) 495 540 99 57
info@gardena-rus.ru

Singapore

Hy-Ray PRIVATE LIMITED
40 Jalan Pemimpin
#02-08 Tat Ann Building
Singapore 577185
Phone: (+65) 6253 2277
hyray@singnet.com.sg

Slovak Republic

GARDENA Slovensko, s.r.o.
Panónska cesta 17
851 04 Bratislava
Phone: (+421) 263 453 722
info@gardena.sk

Slovenia

GARDENA d.o.o.
Brodšče 15
1236 Trzin
Phone: (+386) 1 580 93 32
servis@gardena.si

South Africa

GARDENA
South Africa (Pty.) Ltd.
P.O. Box 11534
Vorna Valley 1686
Phone: (+27) 11 315 02 23
sales@gardena.co.za

Spain

GARDENA IBÉRICA S.L.U.
C/ Basauri, nº 6
La Florida
28023 Madrid
Phone: (+34) 91 708 05 00
atencioncliente@gardena.es

Sweden

GARDENA Norden AB
Försäljningskontor Sverige
Box 9003
200 39 Malmö
info@gardena.se

Switzerland / Schweiz

GARDENA (Schweiz) AG
Bitzberg 1
8184 Bächenbülach
Phone: (+41) 848 800 464
info@gardena.ch

Turkey

GARDENA / Dost Diş Ticaret
Mümesillik A.Ş. Sanayi
Cad. Adil Sokak No. 1
Kartal - İstanbul
Phone: (+90) 216 38 93 939
info@gardena-dost.com.tr

Ukraine / Україна

ALTESTEST JSCA
4 Petropavlivska Street
Petropavlivska
Borschahivka Town
Kyivo Svyatoshyyn Region
08130, Ukraine
Phone: (+380) 44 459 57 03
uprr@altsest.kiev.ua

USA

Melnor Inc.
3085 Shawnee Drive
Winchester, VA 22604
Phone: (+1) 540 722-9080
service_us@melnor.com

4026-20.960.07/1207

© GARDENA

Manufacturing GmbH
D-89079 Ulm
http://www.gardena.com

Free Manuals Download Website

<http://myh66.com>

<http://usermanuals.us>

<http://www.somanuals.com>

<http://www.4manuals.cc>

<http://www.manual-lib.com>

<http://www.404manual.com>

<http://www.luxmanual.com>

<http://aubethermostatmanual.com>

Golf course search by state

<http://golfingnear.com>

Email search by domain

<http://emailbydomain.com>

Auto manuals search

<http://auto.somanuals.com>

TV manuals search

<http://tv.somanuals.com>