

3000/4 Art. 1770

4000/5 Art. 1772

5000/5 Art. 1774

5000/5 Inox Art. 1775

D Betriebsanleitung
Hauswasserwerk

GB Operating Instructions
Pressure Tank Unit

F Mode d'emploi
Groupe de surpression

NL Instructies voor gebruik
Hydrofoorpomp

S Bruksanvisning
Hydroforpump

I Istruzioni per l'uso
Autoclave

E Manual de uso
Estación de Bombeo con Calderín

P Instruções de utilização
Bomba doméstica

DK Brugsanvisning
Husvandværk

GARDENA Pressure Tank Unit

3000/4, 4000/5, 5000/5, 5000/5 Inox

Welcome to the Garden of GARDENA ...



Translation of the original operating instructions from German. Please read these operating instructions carefully and observe the notes given. Use these operating instructions to familiarise yourself with the Pressure Tank Unit, its proper use and the safety instructions.



For safety reasons, children and young people under 16 years of age as well as people who are not familiar with these operating instructions should not use this Pressure Tank Unit.

→ Please keep these operating instructions in a safe place.

Contents:

1. Where to use your GARDENA Pressure Tank Unit.	11
2. Safety instructions	12
3. Installation.	13
4. Operation	14
5. Storage	15
6. Maintenance	15
7. Troubleshooting	16
8. Accessories	17
9. Technical data.	18
10. Warranty	18

1. Where to use your GARDENA Pressure Tank Unit

Correct use:

The GARDENA Pressure Tank Unit is intended for private use in the house and garden; it is not intended for operation of watering equipment and accessories in public gardens.

Open consumers (e.g. taps) can cause fluctuations in pressure at certain rates of flow around opening and closing.

Liquids pumped:

The GARDENA Pressure Tank Unit can be used to deliver rain-water, tap water and chlorinated swimming pool water.

Please note:



The GARDENA Pressure Tank Unit is not suitable for continuous operation (e.g. industrial use, continuous circulation operations). Corrosive, easily combustible, aggressive or explosive liquids (such as gasoline, petroleum or nitro thinner), saltwater and food must not be pumped. The temperature of the liquid must not exceed 35 °C.

2. Safety instructions

Electrical safety:



DANGER! Electric shock!

Risk of injury due to electric shock!

- **Always unplug your Garden Pressure Tank Unit before filling, after operation, when troubleshooting and before carrying out any maintenance work.**

Caution: Pursuant to DIN VDE 0100-702 use of the pump near to swimming pools and garden ponds and other similar places is only permissible if the pump is operated via a residual-current device (FI switch) with a residual current rating of ≤ 30 mA.

The pump must be located on solid, even ground, protected from flooding. Take care that the pump cannot fall into water.

As an additional safety device an authorised safety switch can be used.

- Please ask your electrician for his advice.

Data indicated on the type plate must match the technical data of the mains supply.

Pursuant to DIN VDE 0620 the power cable as well as any extension cable must not have a smaller diameter than rubber sheathed cables described with letter symbols H07 RNF.

Protect the power cable from heat, oil and sharp edges.

Do not use the power cable for carrying the pump or for unplugging.

In Austria

In Austria the electrical connection must satisfy the ÖVE-EM 42, T2 (2000)/1979 § 22 to § 2022.1. This requires that pumps used for swimming pools and garden ponds may only be powered through an isolating transformer.

- Please ask your electrician for his advice.

In Switzerland

In Switzerland portable devices that are used outdoors must be connected through an earth leakage circuit breaker. Mobile appliances that are used outdoors must be connected via a residual-current device.

General Information:



Risk of injury due to hot water!

If the pressure switch is defective and the pressure tank unit runs for an extended period (> 5 min) when the pressure side outlets are closed, the water in the pressure tank unit can become heated so that hot water can emerge from the outlet and cause injuries.

- **Pump may only run for max. 5 min with the discharge side closed.**

If the water supply on the intake side of the pump fails, the water in the pump can heat up so that if water emerges, injuries could be caused by the hot water.

- Disconnect pump from the mains, allow water to cool down and ensure the water supply is functioning correctly before starting the pump again.
- Before operating the pressure tank unit, first make a visual check to ensure there is no damage to the pressure tank unit (especially regarding power cable and plug).

A damaged pressure tank unit must not be used.

- In case of damage, please have the pressure tank unit checked by our GARDENA Service Centre or by an authorised electrician.

Protect the pump from rain. Do not use the pressure tank unit in a wet or moist area.

In order to avoid dry-running of the pressure tank unit, take care that the end of the suction hose is always submerged into the liquid.

The pressure tank unit must not be run dry nor with the stopcock in the suction pipework closed.

- Before each operation, fill the pressure tank unit to overflowing with approx. 2 to 3 l of the liquid to be pumped!

Sand and other abrasive substances in the liquid cause increased wear and reduce the pump's output.

When using the pump for domestic water supply, please adhere to the local water and sewerage regulations. In addition observe the regulations of DIN 1988.

- If necessary contact your local water authority.

3. Installation

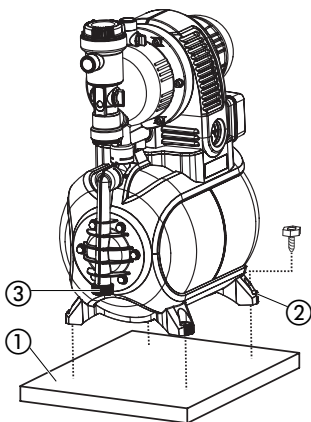
Installing the Pressure Tank Unit:

The installation position must be firm and dry, and permit a secure mounting for the pressure tank unit.

→ Install the pump at a safe distance (min. 2 m) from the pumping medium.

The pump must be installed in a location with low air humidity and sufficient ventilation in the area of the ventilation slots. It must be at a distance of at least 5 cm from the walls. No dirt contamination (e.g. sand or earth) may be sucked in through the ventilation slots.

Fixed installation of the Pressure Tank Unit:



The mounting board ① (e. g. a wooden board) prevents the pressure tank unit slipping.

→ Screw the pressure tank unit to the mounting plate with all four feet ② (The use of cap screws is recommended).

Install the pressure tank unit so that there is room to place a suitably sized drainage tray under the drain screw ③. To allow the unit or system to be drained.

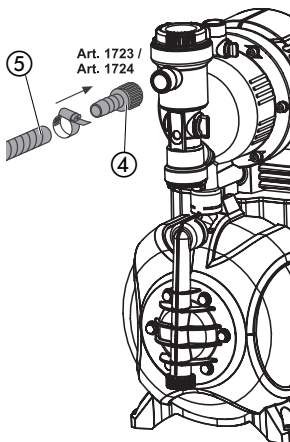
If possible install the unit higher than the surface of the water to be pumped. If this is not possible, install a vacuum-resistant shut-off device between the unit and the suction hose, for example for cleaning the integrated filter.

If the pressure tank unit is being permanently installed indoors for domestic water supply, the Pressure Tank Unit should not be connected to the domestic water pipework with rigid pipes but with flexible hoses, to reduce noise and to avoid damage to the pressure switch due to vibration.

If the system is being installed permanently, please fit suitable shut-off devices on both the intake and delivery sides. This is important e.g. for maintenance and cleaning work or if the system is being shut down.

The connection pieces on the intake and delivery sides must only be tightened by hand.

Connect the hose to the suction side:



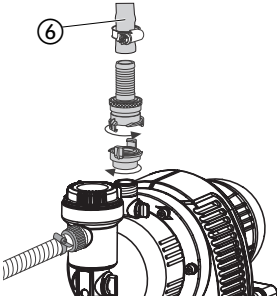
Do not use any water hose snap connection system components on the intake side. A vacuum-tight suction hose must be used e.g.

- GARDENA Suction Hose **Art. no. 1411**
- GARDENA borehole Suction Hose **Art. no.1729**.

To reduce the pump repriming time, we recommend:

- using a suction hose with backflow preventer, which prevents the suction hose emptying automatically when the Pressure Tank Unit is switched off.
 - If the suction heights are high, use a suction hose with a small diameter.
1. Connect vacuum-tight suction hose ⑤ via a connection piece (e.g. **Art. no. 1723/1724**) ④ to the connection on the intake side and screw in place so that it is airtight.
 2. For suction heights exceeding 4 m also secure the suction hose ⑤ (e.g. by fastening it to a wooden post).
This relieves the pump of the weight of the suction hose.

If very fine dirt is present, we recommend the use of a **GARDENA pump preliminary filter art. 1730/1731** in addition to the integrated filter.

Connect hose to the output side:**Note:**

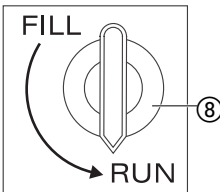
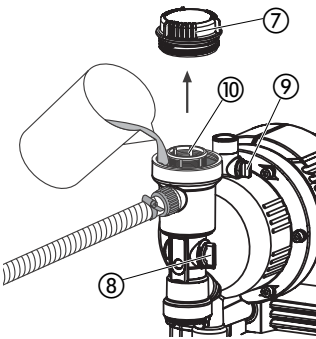
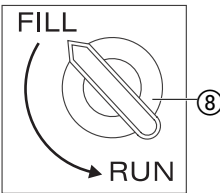
Use pressure-tight hoses, such as the GARDENA Premium Rubber hose of 19 mm (3/4") diameter, **Art. no. 4432/8452**, in connection with the GARDENA Quick-Release Threaded Connector of 33.3 mm (G1) internal thread, **Art. no. 7109**, and the GARDENA Suction and High Pressure Connector, **Art. no. 7120**, for 19 mm (3/4") hoses and a GARDENA Hose Clip, **Art. no. 7192**.

Under no circumstances use these hoses on the suction side.

→ Connect delivery hose ⑥ to the delivery side connection.

4. Operation

Connecting the Pressure Tank Unit:

**DANGER! Electric shock!**

→ Before filling the pump, unplug the equipment from the mains.

Warning! Pump running dry.

→ Fill the pump to the overflow (approx. 2 to 3 litres) with water each time before the pump is switched on.

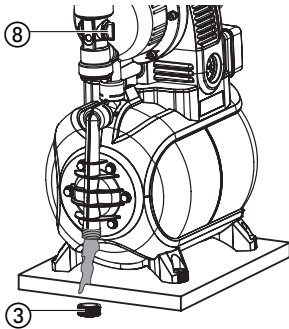
1. Unscrew the cover ⑦ of the filter chamber by hand.
2. Turn the rotary switch ⑧ to **FILL**.
The integrated non-return valve will open.
3. Open the air bleed ⑨.
4. Open any shut-off devices in the delivery line (watering accessories, water stop, etc.) so that air can escape before the priming procedure begins.
5. Empty any water remaining in the delivery hose so that the air can escape during filling and priming.
6. Slowly pour approx 2 to 3 l of the liquid to be pumped through the filler neck ⑩, until it emerges from the air bleed ⑨.
7. Screw the filter chamber cover ⑦ closed again, turning by hand until it stops.
8. **Close venting ⑨ and turn rotary switch ⑧ to RUN.**
9. Insert the mains plug into a 230 V mains socket.
CAUTION! The pump will start immediately!

Once the maximum pressure is reached the pump will switch off automatically. When the pressure falls below the minimum value due to water being drawn off, the pump will switch on again automatically.

The maximum self-priming head of 8 m is only achieved if the pump is filled until it overflows via the filler connection ⑩ and the delivery hose is held high enough so that no water can escape via the delivery hose. It is not necessary to hold up the delivery hose if filled suction hoses with backflow preventer are used.

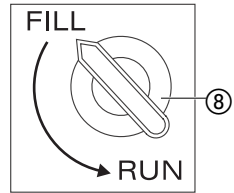
5. Storage

Storage:



If there is a risk of frost, the Pressure Tank Unit must be stored where it will not become frozen.

1. Unplug the mains connection for the pump.
2. Turn the rotary switch ⑧ to **FILL**.
3. Unscrew the drain screw ③.
The Pressure Tank Unit will drain down.
4. Store the pressure tank unit in a dry, frost-free place.



Store out of the reach of children.

Disposal:

(in accordance with directive 2002/96/EC)



The unit must not be disposed of with normal household waste but must be disposed of in accordance with local environmental regulations.

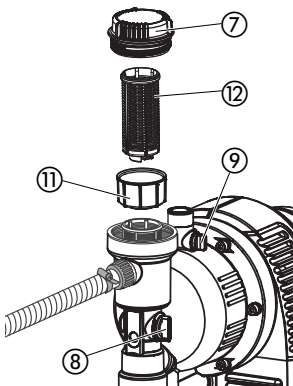
6. Maintenance



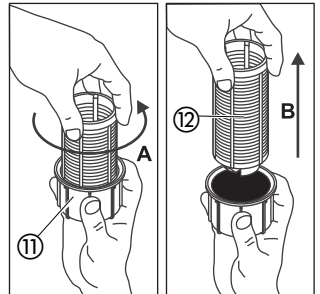
DANGER! Electric shock!

→ Pull out mains plug before undertaking any maintenance.

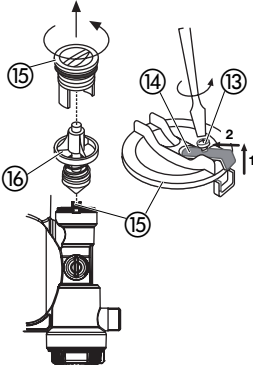
Clean suction filter:



1. **The rotary switch ⑧ must be set to RUN.**
If necessary turn the rotary switch ⑧ to **RUN**.
2. If necessary, close all the shut-off devices on the intake side.
3. Unscrew and remove cover ⑦ of the filter chamber.
4. Draw out filter unit ⑪ ⑫ vertically upwards.
5. Hold beaker ⑪ firmly, turn filter ⑫ anti-clockwise **A** and draw out **B** (bayonet fitting).
6. Clean beaker ⑪ under running water and clean the filter ⑫ e.g. with a soft brush.
7. Refit filter again in reverse order.



Cleaning the check valve:



1. **Unplug the pump from the mains.**
2. Turn the Pressure Tank Unit upside down.
3. Turn the rotary switch (8) to **FILL**.
4. If necessary close all the suction side inlets.
5. Open all pressure side outlets, so that the pressure side is depressurised.
6. Unscrew the drain screw (3) and drain the water.
7. Undo screw (13) and slide the clip (14) upwards **1** and to the rear **2** into the bearing groove.
8. Using a suitable tool, unscrew the check valve cover (15).
9. Remove the valve body (16) and wash it under running water.
10. Reassemble the check valve in the reverse order.
11. Switch the Pressure Tank Unit back on again (see **4. Operation**).

7. Troubleshooting



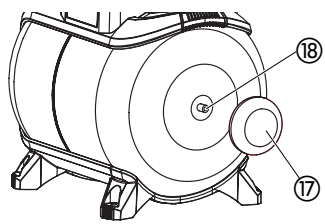
DANGER! Electric shock!

→ **Unplug the cable at the mains before trouble-shooting.**

Problem	Probable cause	Remedy
The pump sucks nothing up.	Rotary switch is not turned to RUN .	→ Refill pump and turn rotary switch to RUN .
	The pump is sucking air through a leak at a connection on the suction side.	→ Check all connections and make them air-tight as necessary.
	Pump is not adequately primed with the liquid to be pumped.	→ Prime the pump (see 4. Operation).
	Air cannot escape on the pressure side, because the pressure side outlets are closed.	→ Open the pressure side outlets.
	End of the suction hose is not in the water, the non-return valve at the end of the suction hose is missing or leaking, the suction hose is kinked, connections are leaking or the suction filter is blocked.	→ Check the complete suction hose from suction point through to the pump for leak-tightness and repair any leaks as necessary.
Pump motor does not start or stops suddenly during operation.	Mains plug not plugged in.	→ Insert mains plug into a mains socket (230 V AC).
	Power failure.	→ Check fuse and cables.
	Pump impeller is jammed.	→ Turn the pump impeller motor shaft with a screwdriver to free it.
	Overheating due to running dry or water temperature too high (Thermal overload switch has switched the pump off).	→ Check the water level at the suction side. → The maximum temperature of the liquid conveyed should be (35 °C).

Pump motor runs, but quantity delivered or pressure fall away suddenly.	Leak on the suction side.	→ Repair the leak.
	Too little water on intake side.	→ Throttle the pump on the pressure side so that the flow quantity on the suction side is governed by that on the pressure side.
Pump switches on and off too frequently.	Suction filter or non-return valve blocked.	→ Clean the suction filter/non-return valve.
	Boiler diaphragm is damaged.	→ Have the boiler diaphragm replaced by GARDENA Service.
	Pressure in the boiler is too low.	→ Top up the air in the storage tank.

Top up the air in the storage tank:



- The pressure in the storage tank must be approx. 1.5 bar.
 To top up the air, an air pump/tyre pump with a pressure gauge (manometer) is required.
1. Unscrew the protective cover ⑰.
 2. Attach the air pump/tyre pump to the boiler valve ⑱ and pump air in until the air pump/tyre pump pressure gauge shows approx. 1.5 bar.
 3. Screw the protective cover ⑰ back on.

CAUTION!



Work on the electrical parts must only be carried out by GARDENA Service Centres.

If any other faults occur, please contact GARDENA Service.

8. Accessories

GARDENA Suction Hoses	Kink- and vacuum-resistant, sold by the metre with 19 mm (3/4") or 25 mm (1") diameter without fittings or in fixed length, complete with fittings.	
GARDENA Suction Hose Fittings		• Art. no. 1723/1724
GARDENA Suction Filter	To equip suction hoses with Backflow Preventer sold by the metre.	• Art. no. 1726/1727/1728
GARDENA Pump Preliminary Filter	Recommended for pumping sandy water.	• Art. no. 1730/1731
GARDENA Bore Hole Suction Hose	For vacuum-resistant connection of the pump to boreholes or pipe networks. Length 0.5 m. With 33.3 mm (G1) female thread at both ends.	• Art. no. 1729

9. Technical data

Type:	3000/4 (Art. no. 1770)	4000/5 (Art. no. 1772)	5000/5 (Art. no. 1774)	5000/5 Inox (Art. no. 1775)
Voltage/Frequency:	230 V AC/50 Hz	230 V AC/50 Hz	230 V AC/50 Hz	230 V AC/50 Hz
Rated power:	650 W	850 W	1100 W	1200 W
Connection cable:	1,5 m H05-RNF	1,5 m H05-RNF	1,5 m H07-RNF	1,5 m H07-RNF
Max. delivery capacity:	2800 l/h	3500 l/h	4500 l/h	4500 l/h
Max. delivery head:	40 m	45 m	50 m	50 m
Max. suction height:	8 m	8 m	8 m	8 m
Working pressure range p(w): (Cut-in pressure to cut-out pressure)	1,5–2,5 bar	2,0–3,0 bar	2,0–3,3 bar	2,0–3,3 bar
Perm. internal pressure (delivery side):	6 bar	6 bar	6 bar	6 bar
Weight:	12,8 kg	13,7 kg	15,5 kg	15,5 kg
Sound power level L _{WA} (measured/guaranteed)	75 dB(A)/78 dB(A)	81 dB(A)/84 dB(A)	84 dB(A)/87 dB(A)	84 dB(A)/87 dB(A)

10. Warranty

GARDENA guarantees this product for 2 years (from date of purchase).

This guarantee covers all serious defects of the unit that can be proved to be material or manufacturing faults. Under warranty we will either replace the unit or repair it free of charge if the following conditions apply:

- The unit must have been handled properly and in keeping with the requirements of the operating instructions.
- Neither the purchaser or a non-authorized third party have attempted to repair the unit.

The impeller and filter are wearing parts and are therefore not covered by the warranty.

This manufacturer's guarantee does not affect the user's existing warranty claims against the dealer/seller.

If a fault occurs with your GARDENA Pressure Tank Unit, please return the faulty unit together with a copy of the receipt and a description of the fault, with postage paid to one of the GARDENA Service Centres listed on the back of these operating instructions.

D <i>Produkthaftung</i>	<p>Wir weisen ausdrücklich darauf hin, dass wir nach dem Produkthaftungsgesetz nicht für durch unsere Geräte hervorgerufene Schäden einzustehen haben, sofern diese durch unsachgemäße Reparatur verursacht oder bei einem Teileaustausch nicht unsere originale GARDENA Teile oder von uns freigegebene Teile verwendet wurden und die Reparatur nicht vom GARDENA Service oder dem autorisierten Fachmann durchgeführt wird. Entsprechendes gilt für Ergänzungsstücke und Zubehör.</p>
GB <i>Product Liability</i>	<p>We expressly point out that, in accordance with the product liability law, we are not liable for any damage caused by our units if it is due to improper repair or if parts exchanged are not original GARDENA parts or parts approved by us, and, if the repairs were not carried out by a GARDENA Service Centre or an authorised specialist. The same applies to spare parts and accessories.</p>
F <i>Responsabilité</i>	<p>Nous vous signalons expressément que GARDENA n'est pas responsable des dommages causés par ses appareils, dans la mesure où ces dommages seraient causés suite à une réparation non conforme, dans la mesure où, lors d'un échange de pièces, les pièces d'origine GARDENA n'auraient pas été utilisées, ou si la réparation n'a pas été effectuée par le Service Après-Vente GARDENA ou l'un des Centres SAV agréés GARDENA. Ceci est également valable pour tout ajout de pièces et d'accessoires autres que ceux préconisés par GARDENA.</p>
NL <i>Productaansprakelijkheid</i>	<p>Wij wijzen er nadrukkelijk op, dat wij op grond van de wet aansprakelijkheid voor producten niet aansprakelijk zijn voor schade ontstaan door onze apparaten, indien deze door onvakkundige reparatie veroorzaakt zijn, of er bij het uitwisselen van onderdelen geen gebruik gemaakt werd van onze originele GARDENA onderdelen of door ons vrijgegeven onderdelen en de reparatie niet door de GARDENA technische dienst of de bevoegde vakman uitgevoerd werd. Ditzelfde geldt voor extra-onderdelen en accessoires.</p>
S <i>Produktansvar</i>	<p>Tillverkaren är inte ansvarig för skada som orsakats av produkten om skadan beror på att produkten har reparerats felaktigt eller om, vid reparation eller utbyte, andra än Original GARDENA reservdelar har använts. Samma sak gäller för kompletteringsdelar och tillbehör.</p>
I <i>Responsabilità del prodotto</i>	<p>Si rende espressamente noto che, conformemente alla legislazione sulla responsabilità del prodotto, non si risponde di danni causati da nostri articoli se originati da riparazioni eseguite non correttamente o da sostituzioni di parti effettuate con materiale non originale GARDENA o comunque da noi non approvato e, in ogni caso, qualora l'intervento non venga eseguito da un centro assistenza GARDENA o da personale specializzato autorizzato. Lo stesso vale per le parti complementari e gli accessori.</p>
E <i>Responsabilidad de productos</i>	<p>Advertimos que conforme a la ley de responsabilidad de productos no nos responsabilizamos de daños causados por nuestros aparatos, siempre y cuando dichos daños hayan sido originados por arreglos o reparaciones indebidas, por recambios con piezas que no sean piezas originales GARDENA o bien piezas no autorizadas por nosotros, así como en aquellos casos en que la reparación no haya sido efectuada por un Servicio Técnico GARDENA o por un técnico autorizado. Lo mismo es aplicable para las piezas complementarias y accesorios.</p>
P <i>Responsabilidade sobre o produto</i>	<p>Queremos salientar que segundo a lei da responsabilidade do fabricante, nós não nos responsabilizaremos por danos causados pelo nosso equipamento, quando estes ocorrerem em decorrência de reparações inadequadas ou da substituição de peças por peças não originais da GARDENA, ou peças não autorizadas. A responsabilidade tornar-se-à nula também depois de reparações realizadas por oficinas não autorizadas pela GARDENA. Esta restrição valerá também para peças adicionais e acessórios.</p>
DK <i>Produktansvar</i>	<p>Vi gør udtrykkeligt opmærksom på at i henhold til produktansvarsloven er vi ikke ansvarlige for skader forårsaget af vores udstyr, hvis det er på grund af uautoriserede reparationer eller hvis dele er skiftet ud og der ikke er anvendt originale GARDENA dele eller dele godkendt af os, eller hvis reparationerne ikke er udført af GARDENA-service eller en autoriseret fagmand. Det samme gælder for ekstra udstyr og tilbehør.</p>

<p>D EU-Konformitätserklärung Maschinenverordnung (9. GSGVO) / EMVG / Niedersp. RL Der Unterzeichnete GARDENA Manufacturing GmbH · Hans-Lorenser-Straße 40 · D-89079 Ulm bestätigt, dass die nachfolgend bezeichneten Geräte in der von uns in Verkehr gebrachten Ausführung die Anforderungen der harmonisierten EU-Richtlinien, EU-Sicherheitsstandards und produktspezifischen Standards erfüllen. Bei einer nicht mit uns abgestimmten Änderung der Geräte verliert diese Erklärung ihre Gültigkeit.</p>	Bezeichnung des Gerätes: Hauswasserwerk Description of the unit: Pressure Tank Unit Désignation du matériel : Groupe de surpression Omschrijving van het apparaat: Hydrofoorpomp Produktbeskrivning: Hydroforpump Descripción del producto: Autoclave Descripción de la mercancía: Estación de Bombeo con Calderín Descrição do aparelho: Bomba doméstica Beskrivelse af enhederne: Huvsvandværk
<p>GB EU Certificate of Conformity The undersigned GARDENA Manufacturing GmbH · Hans-Lorenser-Str. 40 · D-89079 Ulm hereby certifies that, when leaving our factory, the units indicated below are in accordance with the harmonised EU guidelines, EU standards of safety and product specific standards. This certificate becomes void if the units are modified without our approval.</p>	Typ.: Art.-Nr.: Type: Art. No.: Type : Référence : Type: Art. nr.: Type: Art. nr.: Modello: Art.: Tipo: Art. N°: Tipo: Art. N°: Type: 5000/5 Inox Varenr.: 1775
<p>F Certificat de conformité aux directives européennes Le constructeur, soussigné : GARDENA Manufacturing GmbH · Hans-Lorenser-Str. 40 · D-89079 Ulm déclare qu'à la sortie de ses usines le matériel neuf désigné ci-dessous était conforme aux prescriptions des directives européennes énoncées ci-après et conforme aux règles de sécurité et autres règles qui lui sont applicables dans le cadre de l'Union européenne. Toute modification portée sur ce produit sans l'accord express de GARDENA supprime la validité de ce certificat.</p>	EU-Richtlinien: EU directives: 2004/108/EG Directives européennes : 2006/95/EG EU-richtlijnen: 2006/95/EG EU direktiv: 98/37/EG : 1998 Direttive UE: 2006/42/EG : 2006 Normativa UE: 2000/14/EG Directrices da UE: 2000/14/EG EU Retningslinier:
<p>NL EU-overeenstemmingsverklaring Ondergetekende GARDENA Manufacturing GmbH · Hans-Lorenser-Str. 40 · D-89079 Ulm bevestigt, dat de volgende genoemde apparaten in de door ons in de handel gebrachte uitvoering voldoen aan de eis van, en in overeenstemming zijn met de EU-richtlijnen, de EU-veiligheidsstandaard en de voor het product specifieke standaard. Bij een niet met ons afgestemde verandering aan de apparaten verliest deze verklaring haar geldigheid.</p>	Hinterlegte Dokumentation: GARDENA Technische Dokumentation Konformitätsbewertungsverfahren: Nach 2000/14/EG Art. 14 Anhang V Deposited Documentation: GARDENA Technical Documentation according to 2000/14/EC Conformity Assessment Procedure: Art. 14 Annex V Documentation déposée : Documentation technique GARDENA Procédure d'évaluation de la conformité : Selon 2000/14/CE art. 14 Annexe V
<p>S EU Tillverkarinty Undertecknad firma GARDENA Manufacturing GmbH · Hans-Lorenser-Straße 40 · D-89079 Ulm intygar härmed att nedan nämnda produkter överensstämmer med EU:s direktiv, EU:s säkerhetsstandard och produktspecifikation. Detta intyg upphör att gälla om produkten ändras utan vårt tillstånd.</p>	Schall-Leistungspegel: gemessen / garantiert Noise level: measured / guaranteed Puissance acoustique : mesurée / garantie Geluidsniveau: gemeten / gegarandeerd Ljudnivå: uppmätt / garanterad Livello rumorosità: testato / garantito Nível sonoro: medido / garantizado Nível de ruído: medido / garantido Lydtryksniveau: afmålt / garanti
<p>I Dichiarazione di conformità alle norme UE La sottoscritta GARDENA Manufacturing GmbH · Hans-Lorenser-Str. 40 · D-89079 Ulm certifica che il prodotto qui di seguito indicato, nei modelli da noi commercializzati, è conforme alle direttive armonizzate UE nonché agli standard di sicurezza e agli standard specifici di prodotto. Qualunque modifica apportata al prodotto senza nostra specifica autorizzazione invalida la presente dichiarazione.</p>	1770 75 dB(A) / 78 dB(A) 1772 81 dB(A) / 84 dB(A) 1774 84 dB(A) / 87 dB(A) 1775 84 dB(A) / 87 dB(A)
<p>E Declaración de conformidad de la UE El que suscribe GARDENA Manufacturing GmbH · Hans-Lorenser-Str. 40 · D-89079 Ulm declara que la presente mercancía, objeto de la presente declaración, cumple con todas las normas de la UE, en lo que a normas técnicas, de homologación y de seguridad se refiere. En caso de realizar cualquier modificación en la presente mercancía sin nuestra previa autorización, esta declaración pierde su validez.</p>	Anbringungsjahr der CE-Kennzeichnung: Year of CE marking: Date d'apposition du marquage CE : Installatiejaar van de CE-aanduiding: CE-Märkningsår: 2005 Anno di rilascio della certificazione CE: Colocación del distintivo CE: Ano de marcação pela CE: CE-Mærkningsår:
<p>P Certificado de conformidade da UE Os abaixo mencionados GARDENA Manufacturing GmbH · Hans-Lorenser-Str. 40 · D-89079 Ulm Por este meio certificam que ao sair da fábrica os aparelhos abaixo mencionados estão de acordo com as diretrizes harmonizadas da UE, padrões de segurança e de produtos específicos. Este certificado ficará nulo se as unidades forem modificadas sem a nossa aprovação.</p>	 Peter Lameli
<p>DK EU Overensstemmelse certifikat Undertegnede GARDENA Manufacturing GmbH · Hans-Lorenser-Str. 40 · D-89079 Ulm bekræfter hermed, at enheder listet herunder, ved afsendelse fra fabrikken, er i overensstemmelse med harmoniserede EU retningslinier, EU sikkerheds standarder og produkt specifikations standarder. Dette certifikat træder ud af kraft hvis enhederne er ændret uden vor godkendelse.</p>	Ulm, den 01.07.2005 Technische Leitung Ulm, 01.07.2005 Technical Dept. Manager Fait à Ulm, le 01.07.2005 Direction technique Ulm, 01.07.2005 Technisch directenr Ulm, 2005.07.01 Technical Director Ulm, 01.07.2005 Direzione Tecnica Ulm, 01.07.2005 Dirección Técnica Ulm, 01.07.2005 Director Técnico Ulm, 01.07.2005 Teknisk direktør

Pumpen-Kennlinie:

Performance characteristics

Courbes de performance

Prestatiegrafiek

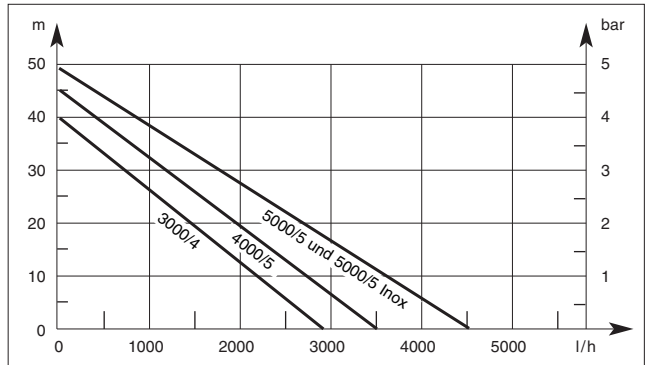
Kapacitetskurva

Curva di rendimento

Curva característica de la bomba

Características de performance

Ydelses karakteristika



Deutschland/Germany

GARDENA Manufacturing GmbH
Service Center
Hans-Lorenser-Straße 40
D-89079 Ulm
Produktfragen: (+49) 731 490-123
Reparaturen: (+49) 731 490-290
service@gardena.com

Argentina

Argensem S.A. Calle Colonia
Japonesa s/n - (1625) Loma
Verde, Escobar, Buenos Aires
Phone: (+54) 34 88 49 40 40
info@argensem.com.ar

Australia

Nylex Consumer Products
50-70 Stanley Drive
Somerton, Victoria, 3062
Phone: 1800 658 276
spare.parts@nylex.com.au

Austria/Österreich

GARDENA Österreich Ges.m.b.H.
Stettnerweg 11-15
2100 Korneuburg
Tel.: (+43) 22 62 745 45-36 od. -30
kundendienst@gardena.at

Belgium

GARDENA Belgium NV/SA
Sterrebeekstraat 163
1930 Zaventem
Phone: (+32) 27 20 921 2
info@gardena.be

Brazil

Palash Comércio e Importação Ltda.
Rua América Brasileira,
2414 - Chácara Sto Antonio
São Paulo - SP - Brasil -
CEP 04715-005
fone: 55 11 5181-0909
fax: 55 11 5181-2020

Bulgaria

Sofia 1404 Bulgaria
2 Luis Ahalier Str.
7th floor, DENEX LTD.
Phone: (+359) 2 9581821
office@denex-bg.com

Canada

GARDENA Canada Ltd. 100,
Summerlea Road Brampton,
Ontario, L6T 4X3
Phone: (+1) 905 792 93 30
info@gardenacanada.com

Chile

Antonio Martinic Y CIA. LTDA.
Gilberto Fuenzalida 185 Loc.
Las Condes, Santiago de Chile
Phone: (+56) 2 20 10 708
garfar_ci@yahoo.com

Costa Rica

Compania Exim Euroberoameri-
cana S.A. Los Colegios, Moravia,
200 metros al Sur del Colegio
Saint Francis, San José, Costa
Rica. Phone: (+506) 297 68 83
exim_euro@racsa.co.cr

Croatia

KLJS d.o.o., Stančićeva 79
10419 Vukovina
Phone: (+385) 1 622 777 0
gardena@klis-trgovina.hr

Cyprus

FARMOKIPIKI LTD
P.O. Box 7098
74, Digeni Akrita Ave.
1641 Nicosia
Phone: (+357) 22 75 47 62
condam@spidernet.com.cy

Czech Republic

GARDENA spol. s.r.o.
Řípská 20a, č.p. 1153
62700 Brno
Phone: (+420) 800 100 425 (Hotline)
gardena@gardenabrno.cz

Denmark

GARDENA Norden AB
Box 9003, 200 39 Malmö, Sverige
info@gardena.dk

Finland

Habitec Oy, Martinkyläntie 52
01720 Vantaa

France

GARDENA France
Service Après-Vente
BP 50080
95948 ROISSY CDG Cedex
Tel.: (+33) 0826 101 455
service.consommateurs@gardena.fr

Great Britain

GARDENA UK Ltd.
27-28 Brenkley Way
Blezard Business Park
Seaton Burn
Newcastle upon Tyne NE13 6DS
info@gardena.co.uk

Greece

Agropip - Psmadopoulos S.A.
Ifaistou 33A - Ind. Area Koropi,
194 00 Athens Greece
V.A.T. EL093474846
Phone: (+30) 210 66 20 225
info@agropip.gr

Hungary

GARDENA Magyarorszáig Kft.
Késmárk utca 22
1158 Budapest
Phone: (+36) 80 20 40 33 (Hotline)
gardena@gardena.hu

Iceland

Ó. Johnson & Kaaber
Tunguhalsi 1
110 Reykjavik

Ireland

Michael McLoughlin & Sons
Hardware Limited, Long Mile Road
Dublin 12

Italy

GARDENA Italia S.p.A.
Via Donizetti 22,
20020 Lainate (MI)
Phone: 02.93.94.79.1
info@gardenaitalia.it

Japan

KAKUICHI Co. Ltd.
Yamato Bldg. 5-3-1
Kojimachi Chiyoda-ku.
Tokyo 102-0083
Phone: (+81)-(0)3-3264-4721
m_ishihara@kaku-ichi.co.jp

Luxembourg

Magasins Jules Neuberg
39, rue Jacques Stas
Luxembourg-Gasperich 2549
Case Postale No. 12
Luxembourg 2010
Phone +352-40 14 01
api@neuberg.lu

Netherlands

GARDENA Nederland BV
Postbus 50176
1305 AD ALMERE
Phone: (+31) 36 521 00 00
info@gardena.nl

Neth. Antilles

Jonka Enterprises N.V.
Sta. Rosa Weg 196
P.O. Box 8200, Curaçao
Phone: (+599) 9 767 66 55
pgm@jonka.com

New Zealand

NYLEX New Zealand Ltd.
Building 2
118 Savill Drive
Mangere, Auckland
Phone: 0800 22 00 88
spare.parts@nylex.com.au

Norway

GARDENA Norden AB
Karihaugveien 89, 1086 Oslo

Poland

GARDENA Polska Sp. z o.o.
Szymanów 9d, 05-532 Baniocha
Phone: (+48) 22 727 56 90
gardena@gardena.pl

Portugal

GARDENA, Lda.
Recta da Granja do Marquês
Edif. GARDENA Algueirão,
2725-596 Mem Martins
Phone: 219228530
info@gardena.pt

Romania

MADEX INTERNATIONAL SRL
Soseaua Odaii 117-123, sector 1
Bucuresti, RO 013603
Phone: (+40) 21 352 760 3/4/5/6
madox@ines.ro

Russia/Россия

АО АМИДА ТТЦ
ул. Мосфильмовская 66
117330 Москва
Phone: +7 495 647 25 10
amida@col.ru

Singapore

Hy-Ray Private Limited
40 JALAN PEMIMPIN
#02-08 Tat Ann Building
Singapore 577 185
Phone: (65) 6253 2277
hyray@singnet.com.sg

Slovak Republic

GARDENA Slovensko, s. r. o.
Panónska cesta 17
851 04 Bratislava
Phone: (+421) 263 453 722
info@gardena.sk

Slovenia

GARDENA d.o.o., Brodišče 15, 1236 Trzin
Phone: (+386) 1 580 93 32
servis@gardena.si

South Africa

GARDENA South Africa (Pty.) Ltd.
P.O. Box 11534, Vorna Valley 1686
Phone: (+27) 11 315 02 23
sales@gardena.co.za

Spain

GARDENA IBÉRICA S.L.
C/Basauri, nº 6
La Florida, 28023 Madrid
Phone: (+34) 91 708 05 00 (4 líneas)
atencioncliente@gardena.es

Sweden

GARDENA Norden AB
Box 9003, 20039 Malmö
info@gardena.se

Switzerland/Schweiz

GARDENA Schweiz AG
Bitziberg 1, 8184 Bachenbühlach
Tel.: (+41)-848 800 464
info@gardena.ch

Turkey

GARDENA/Dost Diş Ticaret
Müesseslik A.Ş. Sanayi
Çad. Adil Sokak No. 1
Kartal - Istanbul

Ukraine

ALTSEST JSC
4 Petropavlivska Street
Petropavlivska Borschahivka Town
Kyivo Svyatoshyn Region
08130 Ukraine
Phone: +380 44 4595703
upyr@altsest.kiev.ua

USA

Melnor, 3085 Shawnee Drive
Winchester, VA 22604
Phone: (540) 722-9080
service_us@melnor.com
1770-20.960.07/0507
© GARDENA Manufacturing GmbH
D-89070 Ulm
http://www.gardena.com

Free Manuals Download Website

<http://myh66.com>

<http://usermanuals.us>

<http://www.somanuals.com>

<http://www.4manuals.cc>

<http://www.manual-lib.com>

<http://www.404manual.com>

<http://www.luxmanual.com>

<http://aubethermostatmanual.com>

Golf course search by state

<http://golfingnear.com>

Email search by domain

<http://emailbydomain.com>

Auto manuals search

<http://auto.somanuals.com>

TV manuals search

<http://tv.somanuals.com>