

Installation Instructions

Custom Hood Inserts

Hotte Encastrable sur Mesure Instructions d'installation

La section française commence à la page 23

Encastres de campana a medida Instrucciones de instalación

La sección en español empieza en la página 45

31-10719

10-08 JR



Installation Instructions



BEFORE YOU BEGIN

Read these instructions completely and carefully.

- **IMPORTANT** – Save these instructions for local inspector's use.
- **IMPORTANT** – Observe all governing codes and ordinances.
- **Note to Installer** – Be sure to leave these instructions with the Consumer.
- **Note to Consumer** – Keep these instructions for future reference.
- **Skill Level** – Installation of this vent hood requires basic mechanical and electrical skills.
- **Completion time** – 1 to 3 hours.
- Proper installation is the responsibility of the installer.
- Product failure due to improper installation is not covered under the Warranty.

For Monogram local service in your area, call **1.800.444.1845**.

For Monogram service in Canada, call **1.800.561.3344**.

For Monogram Parts and Accessories, call **1.800.626.2002**.

⚠ CAUTION:

Due to the weight and size of these vent hoods and to reduce the risk of personal injury or damage to the product, **TWO PEOPLE ARE REQUIRED FOR PROPER INSTALLATION.**

⚠ WARNING:

To reduce the risk of fire or electrical shock, do not use this range hood with any external solid-state speed control device. Any such alteration from original factory wiring could result in damage to the unit and/or create an electrical safety hazard.

TO REDUCE THE RISK OF FIRE, USE ONLY METAL DUCTWORK.

⚠ WARNING: TO REDUCE THE RISK OF FIRE, ELECTRIC SHOCK OR INJURY TO PERSONS, OBSERVE THE FOLLOWING:

- A. Use this unit only in the manner intended by the manufacturer. If you have questions, contact the manufacturer.
- B. Before servicing or cleaning unit, switch power off at service panel and lock the service disconnecting means to prevent power from being switched on accidentally. When the service disconnecting means cannot be locked, securely fasten a prominent warning device, such as a tag, to the service panel.

⚠ CAUTION: For General Ventilating Use Only. Do Not Use To Exhaust Hazardous Or Explosive Materials And Vapors.

⚠ WARNING: TO REDUCE THE RISK OF FIRE, ELECTRIC SHOCK OR INJURY TO PERSONS, OBSERVE THE FOLLOWING:

- A. Installation work and electrical wiring must be done by qualified person(s) in accordance with all applicable codes and standards, including fire-rated construction.
- B. Sufficient air is needed for proper combustion and exhausting of gases through the flue (chimney) of fuel burning equipment to prevent back drafting. Follow the heating equipment manufacturer's guideline and safety standards such as those published by the National Fire Protection Association (NFPA), and the American Society for Heating, Refrigeration and Air Conditioning Engineers (ASHRAE), and the local code authorities.
- C. When cutting or drilling into wall or ceiling, do not damage electrical wiring and other hidden utilities.
- D. Ducted fans must always be vented to the outdoors.
 - Local codes vary. Installation of electrical connections and grounding must comply with applicable codes. In the absence of local codes, the vent should be installed in accordance with National Electrical Code ANSI/NFPA 70-1990 or latest edition.

Installation Instructions

⚠ CAUTION: To reduce risk of fire and to properly exhaust air, be sure to duct air outside. Do not vent exhaust air into spaces within walls or ceilings or into attics, crawl spaces or garages.

⚠ WARNING: TO REDUCE THE RISK OF A RANGE TOP GREASE FIRE:

- A. Never leave surface units unattended at high settings. Boilovers cause smoking and greasy spillovers that may ignite. Heat oils slowly on low or medium settings.
- B. Always turn hood ON when cooking at high heat or when flambing food (i.e. Crepes Suzette, Cherries Jubilee, Peppercorn Beef Flambé).
- C. Clean ventilating fans frequently. Grease should not be allowed to accumulate on fan or filter.
- D. Use proper pan size. Always use cookware appropriate for the size of the surface element.

⚠ WARNING: TO REDUCE THE RISK OF INJURY TO PERSONS IN THE EVENT OF A RANGE TOP GREASE FIRE, OBSERVE THE FOLLOWING^a:

- A. SMOTHER FLAMES with a close-fitting lid, cookie sheet or metal tray, then turn off the burner. BE CAREFUL TO PREVENT BURNS. If the flames do not go out immediately, EVACUATE AND CALL THE FIRE DEPARTMENT.
- B. NEVER PICK UP A FLAMING PAN—You may be burned.
- C. DO NOT USE WATER, including wet dishcloths or towels—a violent steam explosion will result.
- D. Use an extinguisher ONLY if:
 - 1) You know you have a Class ABC extinguisher, and you already know how to operate it.
 - 2) The fire is small and contained in the area where it started.
 - 3) The fire department is being called.
 - 4) You can fight the fire with your back to an exit.

^aBased on "Kitchen Firesafety Tips" published by NFPA.

Design Information

CONTENTS

Design Information

Product Clearances	4
Product Dimensions	5-8

Advance Planning

Advance Planning	9
Remote Mounting of the Control (Wired).....	9
Power Supply	9
Duct Fittings	10

Installation Preparation

Tools and Materials Required	11
Remove the Packaging	11
Parts Provided	12
Ductwork, Wiring Locations	13
Construct Ceiling Support	14
Remote Mounting of the Control - Wired	15, 16

Installation Instructions

Step 1, Install Hood Liner	17
Step 2, Connect Electrical.....	18
Step 3, Install Insert Sleeve	19
Step 4, Install Damper Plate	20
Step 5, Install Blower Motor.....	21
Step 6, Connect Wiring Harness	21
Step 7, Install Filters	22
Step 8, Finalize Installation	22

PRODUCT CLEARANCES

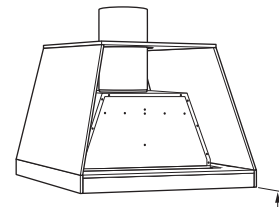
The vent hood and liner assembly must be installed 30" minimum and 36" maximum above the cooking surface.

- Always refer to the cooktop or range installation instructions for product-specific clearances.

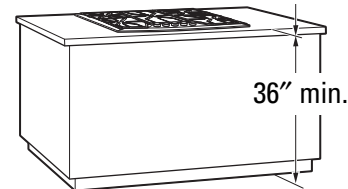
NOTE: Installation height should be measured from the cooking surface to the bottom edge of the metal hood liner or cabinet surface.

NOTE: UL requires any combustible surface to be a minimum of 30" above the cooking surface.

- This hood must be vented to the outdoors.
- This hood may be mounted onto a wall or installed over an island.
- This hood can be installed over any Monogram electric/gas cooktop or Monogram Professional cooktop or range of equivalent width.



*30" Minimum required
*36" Maximum recommended

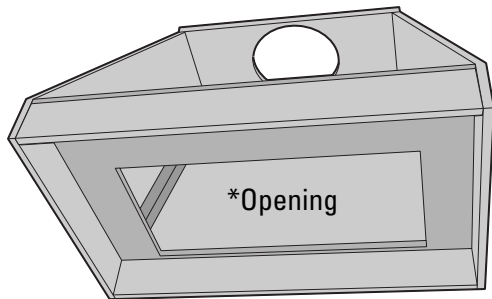


*NOTE: Rear wall exhaust venting may affect installation height. See page 13.

Design Information

PRODUCT DIMENSIONS

ZVC30

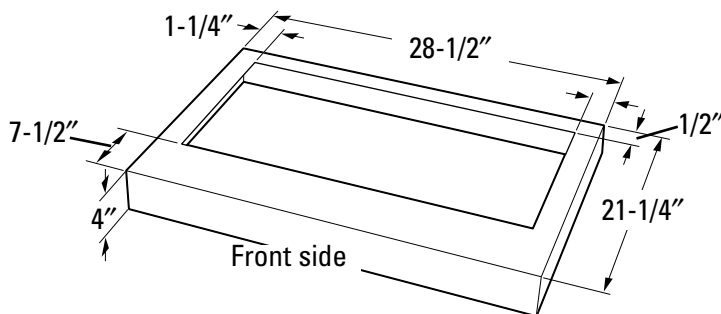


The custom canopy must be sized to fit the insert sleeve. Construct the canopy with an opening that is:

26"W x 13-3/16"D

The opening must be constructed of 3/4" thick material to allow the sleeve locking clips to engage.

The Supplied Liner



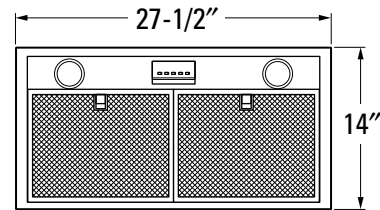
The stainless steel liner is shipped with each hood insert. This non-combustible liner protects the underside of the canopy.

Custom Liner

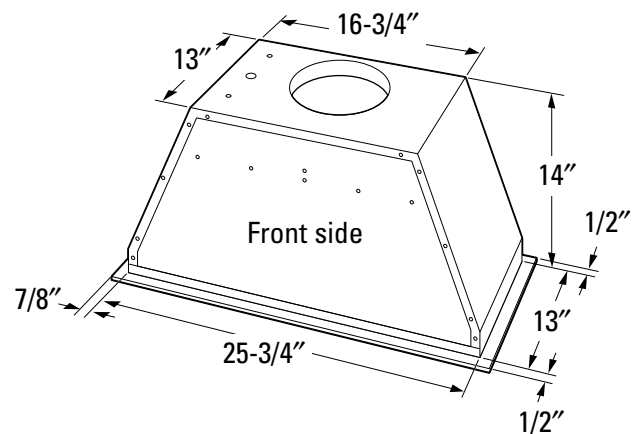
If you are not using the supplied liner, you may construct a custom non-combustible liner. Use the supplied liner as a template. **The opening must be 26"W x 13-3/16"D.** 3/4" thick material must surround the opening to allow the sleeve locking clips to engage. The insert sleeve inside the cabinet should be positioned 1/2" from the rear wall so that the center of the 8" duct is 5-1/2" from the rear wall.

Dimensions and Specifications (in inches)

Outside Dimensions



The Insert Sleeve

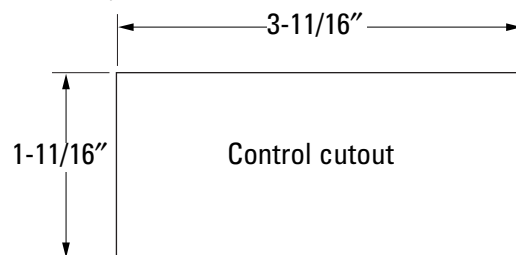


The bottom edge of the insert sleeve has a 7/8" wide flange on the sides and a 1/2" wide flange on the front and back.

Remote Location for the Control

The control may be removed from the hood and installed into a wall or countertop. A 30-ft. length of wire is supplied to accommodate most installations. A blanking plate covers the opening when the controls are removed.

The overall size of the control is 4-1/4" wide and 2-1/4" deep.

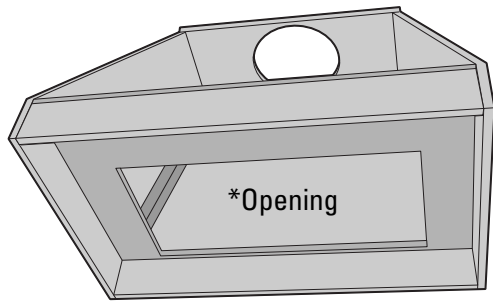


We recommend that the cutout in granite or other hard surfaces be made before the countertop is installed.

Design Information

PRODUCT DIMENSIONS

ZVC36

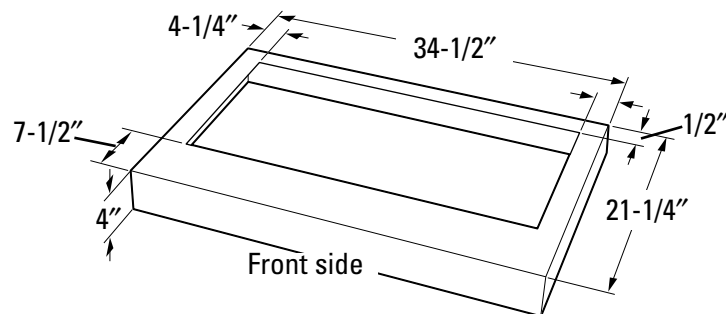


The custom canopy must be sized to fit the insert sleeve. Construct the canopy with an opening that is:

26"W x 13-3/16"D

The opening must be constructed of 3/4" thick material to allow the sleeve locking clips to engage.

The Supplied Liner



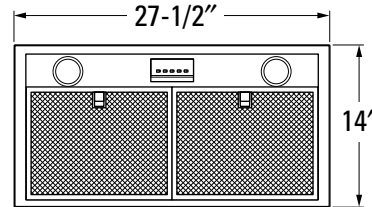
The stainless steel liner is shipped with each hood insert. This non-combustible liner protects the underside of the canopy.

Custom Liner

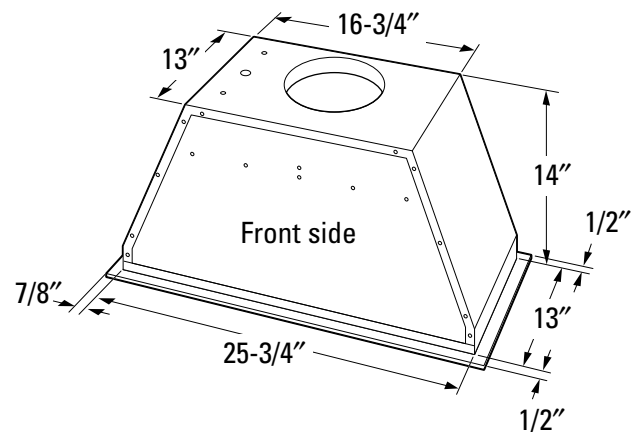
If you are not using the supplied liner, you may construct a custom non-combustible liner. Use the supplied liner as a template. **The opening must be 26"W x 13-3/16"D.** 3/4" thick material must surround the opening to allow the sleeve locking clips to engage. The insert sleeve inside the cabinet should be positioned 1/2" from the rear wall so that the center of the 8" duct is 5-1/2" from the rear wall.

Dimensions and Specifications (in inches)

Outside Dimensions



The Insert Sleeve

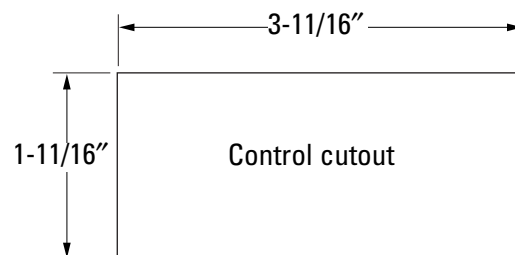


The bottom edge of the insert sleeve has a 7/8" wide flange on the sides and a 1/2" wide flange on the front and back.

Remote Location for the Control

The control may be removed from the hood and installed into a wall or countertop. A 30-ft. length of wire is supplied to accommodate most installations. A blanking plate covers the opening when the controls are removed.

The overall size of the control is 4-1/4" wide and 2-1/4" deep.

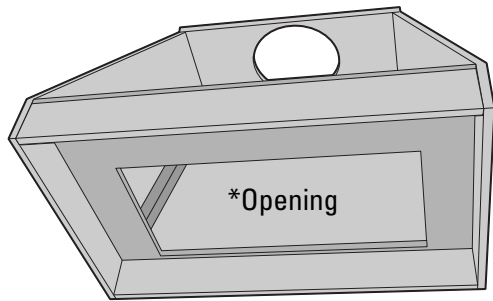


We recommend that the cutout in granite or other hard surfaces be made before the countertop is installed.

Design Information

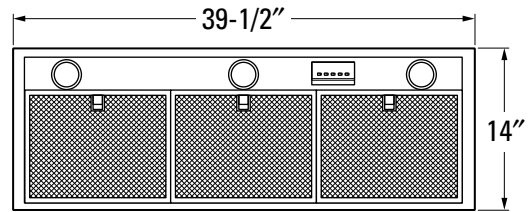
PRODUCT DIMENSIONS

ZVC42

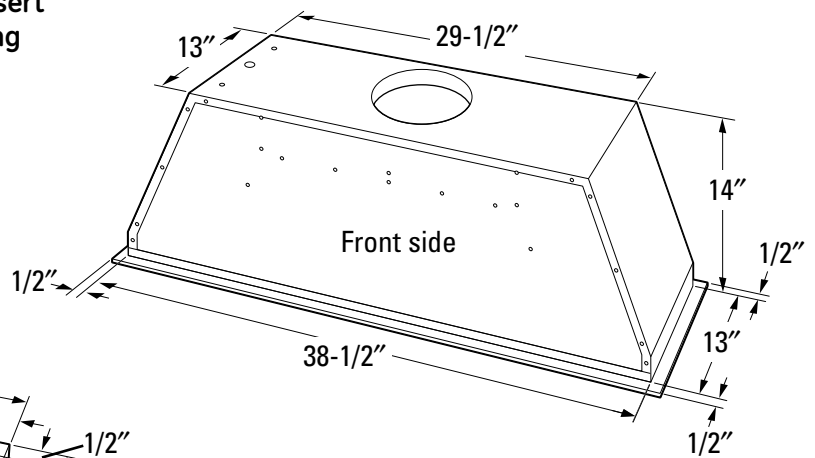


Dimensions and Specifications (in inches)

Outside Dimensions



The Insert Sleeve



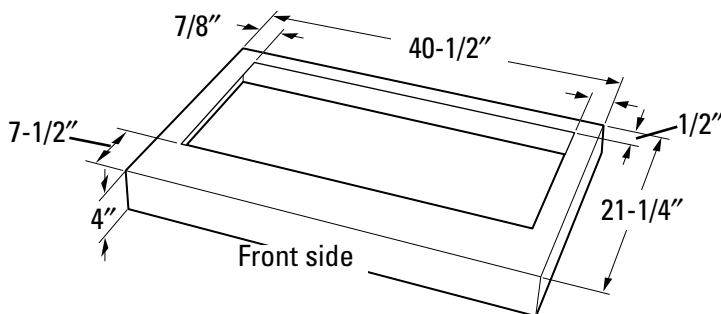
A 1/2" wide flange surrounds the outside edge of the insert sleeve.

The custom canopy must be sized to fit the insert sleeve. Construct the canopy with an opening that is:

38-3/4"W x 13-3/16"D

The opening must be constructed of 3/4" thick material to allow the sleeve locking clips to engage.

The Supplied Liner



The stainless steel liner is shipped with each hood insert. This non-combustible liner protects the underside of the canopy.

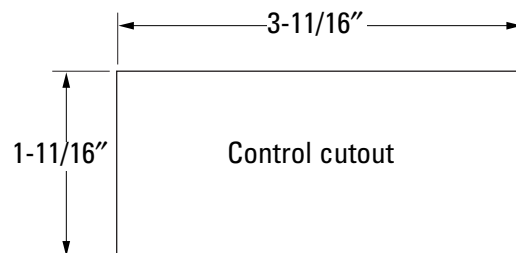
Custom Liner

If you are not using the supplied liner, you may construct a custom non-combustible liner. Use the supplied liner as a template. **The opening must be 38-3/4"W x 13-3/16"D.** 3/4" thick material must surround the opening to allow the sleeve locking clips to engage. The insert sleeve inside the cabinet should be positioned 1/2" from the rear wall so that the center of the 8" duct is 5-1/2" from the rear wall.

Remote Location for the Control

The control may be removed from the hood and installed into a wall or countertop. A 30-ft. length of wire is supplied to accommodate most installations. A blanking plate covers the opening when the controls are removed.

The overall size of the control is 4-1/4" wide and 2-1/4" deep.

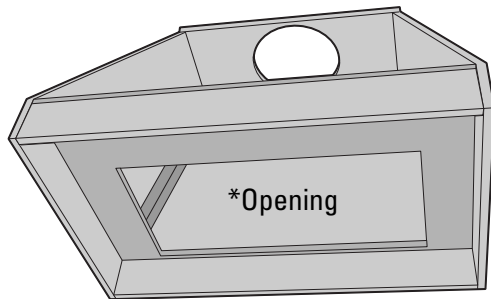


We recommend that the cutout in granite or other hard surfaces be made before the countertop is installed.

Design Information

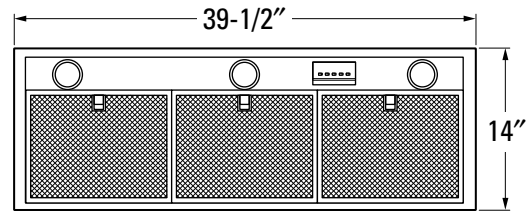
PRODUCT DIMENSIONS

ZVC48

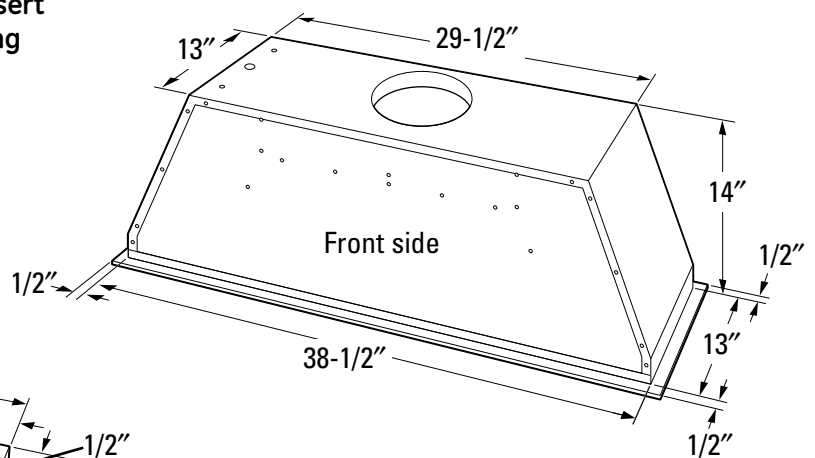


Dimensions and Specifications (in inches)

Outside Dimensions



The Insert Sleeve

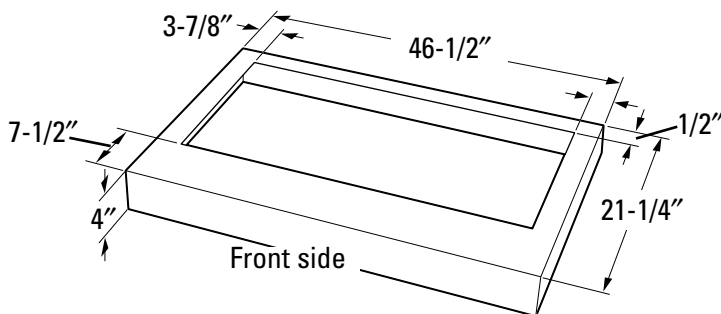


The custom canopy must be sized to fit the insert sleeve. Construct the canopy with an opening that is:

38-3/4"W x 13-3/16"D

The opening must be constructed of 3/4" thick material to allow the sleeve locking clips to engage.

The Supplied Liner



The stainless steel liner is shipped with each hood insert. This non-combustible liner protects the underside of the canopy.

Custom Liner

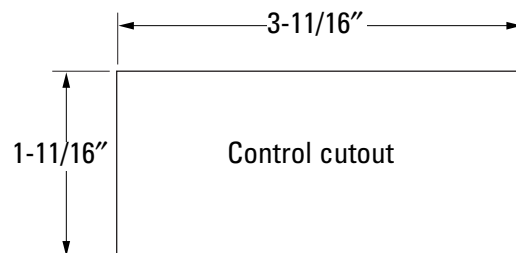
If you are not using the supplied liner, you may construct a custom non-combustible liner. Use the supplied liner as a template. **The opening must be 38-3/4"W x 13-3/16"D.** 3/4" thick material must surround the opening to allow the sleeve locking clips to engage. The insert sleeve inside the cabinet should be positioned 1/2" from the rear wall so that the center of the 8" duct is 5-1/2" from the rear wall.

A 1/2" wide flange surrounds the outside edge of the insert sleeve.

Remote Location for the Control

The control may be removed from the hood and installed into a wall or countertop. A 30-ft. length of wire is supplied to accommodate most installations. A blanking plate covers the opening when the controls are removed.

The overall size of the control is 4-1/4" wide and 2-1/4" deep.



We recommend that the cutout in granite or other hard surfaces be made before the countertop is installed.

Advance Planning

ADVANCE PLANNING

Ductwork Planning

- This hood is equipped for 8" round ductwork.
- Determine the exact location of the vent hood.
- Plan the route for venting exhaust to the outdoors. This hood is not designed for a recirculating venting operation.
- Use the shortest and straightest duct route possible. For satisfactory performance, duct run should not exceed 100 ft. equivalent length for any duct configurations.
- Refer to "Duct Fittings" chart to compute the maximum permissible length for duct runs to the outdoors.
- Use rigid metal ductwork only.
- Install a wall or roof cap with damper at the exterior opening. Order the cap and any transitions needed in advance.

Wall and Ceiling Framing for Adequate Support

This vent hood is heavy and the cabinet structure needs to support the weight of the loaded insert sleeve. Adequate structural support must be provided in all types of installations.

- Installation will be easier if the vent hood is installed before the cooktop is installed.

Custom Cabinet Frame Planning

- The custom-built canopy should be sized to accommodate the hood insert sleeve. See pages 5-9 for details.

Remote Mounting of the Control (Wired)

- The control can be remotely mounted on the wall or the countertop.
- It is recommended that you use a professional installer for the countertop cutout.
- It is recommended that the cutout in a granite countertop or other hard surface be made before the countertop is installed.
- The cutout needs to be made at least 6 inches from the edges of the countertop.
- If mounting in the countertop above a drawer, consideration must be given to the depth of the control mounting assembly.
- A 30 ft. wire cord is provided. Careful consideration must be given to the location of the remotely mounted control.
- It is recommended that the 4-wire cord be routed through 1" conduit between the insert sleeve and the remote mounting location.

POWER SUPPLY

IMPORTANT - (Please read carefully)

⚠ WARNING:

FOR PERSONAL SAFETY, THIS APPLIANCE MUST BE PROPERLY GROUNDED.

Remove house fuse or open circuit breaker before beginning installation.

Do not use an extension cord or adapter plug with this appliance. Follow National electrical codes or prevailing local codes and ordinances.

Electrical Supply

This vent hood must be supplied with 120V, 60Hz, and connected to an individual, properly grounded branch circuit, and protected by a 15 or 20 amp circuit breaker or time delay fuse.

- Wiring must be 2 wire with ground.
- If the electrical supply does not meet the above requirements, call a licensed electrician before proceeding.
- Route house wiring as close to the installation location as possible, in the ceiling or back wall.
- Connect the hood wiring to the house wiring in accordance with local codes.
- House wiring must extend to 45" minimum from bottom of cabinet in order to make connection to hood wiring.

Grounding Instructions

The grounding conductor must be connected to a grounded metal, permanent wiring system, or an equipment-grounding terminal or lead on the hood.

⚠ WARNING: The improper connection of the equipment-grounding conductor can result in a risk of electric shock. Check with a qualified electrician or service representative if you are in doubt whether the appliance is properly grounded.

Advance Planning

DUCT FITTINGS

This Hood Must Use an 8" Round Duct. It Can Transition to a 3-1/4" x 12" Duct.

Use this chart to compute maximum permissible lengths for duct runs to outdoors.

NOTE: Do not exceed maximum permissible equivalent lengths!


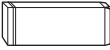


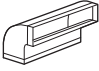
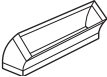

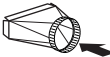
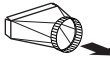
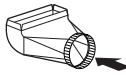
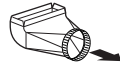
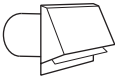


Maximum duct length: 100 foot for range hoods.

Flexible ducting:

If flexible metal ducting is used, all the equivalent feet values in the table should be doubled. The flexible metal duct should be straight and smooth and extended as much as possible.

DO NOT use flexible plastic ducting.

NOTE: Any home ventilation system, such as a ventilation hood, may interrupt the proper flow of combustion air and exhaust required by fireplaces, gas furnaces, gas water heaters and other naturally vented systems. To minimize the chance of interruption of such naturally vented systems, follow the heating equipment manufacturer's guidelines and safety standards such as those published by NFPA and ASHRAE.

Duct Piece	Dimensions	Equivalent Length*	Quantity Used	Total Equivalent Length
	Round, straight	1 ft. (per foot length)		
	3-1/4" x 12" straight	1 ft. (per foot length)		
	90° elbow	17 ft.		
	45° elbow	10 ft.		
	3-1/4" x 12" 90° elbow	43 ft.		
	3-1/4" x 12" 45° elbow	26 ft.		
	3-1/4" x 12" 90° flat elbow	102 ft.		
	8" round to 3-1/4" x 12" transition	2 ft.		
	3-1/4" x 12" to 8" round transition	5 ft.		
	8" round to 3-1/4" x 12" transition 90° elbow	6 ft.		
	3-1/4" x 12" to 8" round transition 90° elbow	13 ft.		
	Round wall cap with damper	32 ft.		
	3-1/4" x 12" wall cap with damper	75 ft.		
	Round roof cap	44 ft.		

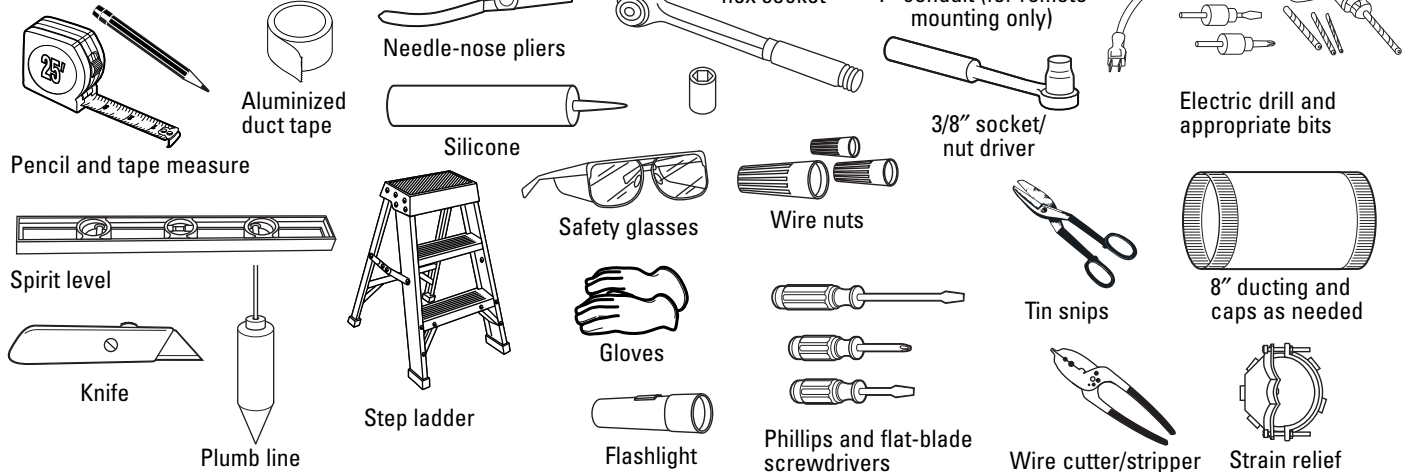
*Actual length of straight duct plus duct fitting equivalent. Equivalent length of duct pieces are based on actual tests conducted by GE Evaluation Engineering and reflect requirements for good venting performance with any ventilation hood.

Total Duct Run _____

Installation Preparation

TOOLS AND MATERIALS REQUIRED

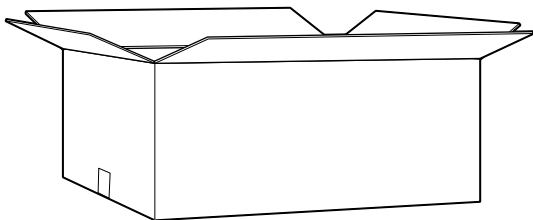
(NOT SUPPLIED)



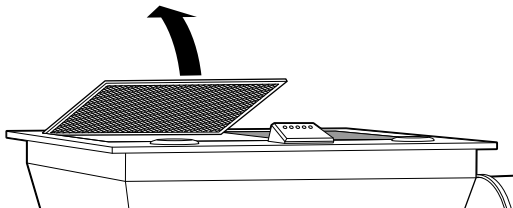
REMOVE THE PACKAGING

CAUTION: Wear gloves to protect against sharp edges.

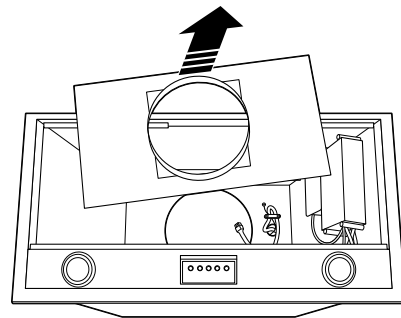
CAUTION: LIFT THE INSERT SLEEVE OUT OF THE BOX BY GRASPING THE SIDES.



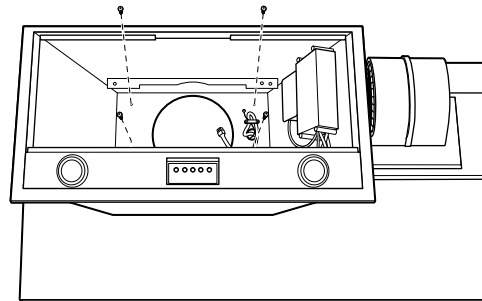
1. Open hood carton.
2. Remove the liner, foam and cardboard.



3. Remove the tape securing the filters to the insert sleeve, lift the tabs and remove the filters.



4. Unscrew the 5 nuts securing the damper vent plate assembly, and remove it from the insert sleeve. Set the 5 nuts and the damper vent plate assembly aside, as you will be re-installing it later in the installation process.



5. Remove the screws attaching the insert sleeve to the mounting board. Discard the screws.
6. Grasp the insert sleeve by the outside edges, and lift straight up and out of the carton.
NOTE: Do not lift the insert sleeve by the blower motor.
7. Remove and properly discard the plastic wrapping.
8. Remove the parts box and other packaging.

Installation Preparation

PARTS PROVIDED

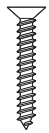
Locate the parts packed with the hood.

CHECK INSTALLATION HARDWARE

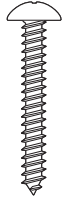
Count screws/
components. Screws
shown actual size.



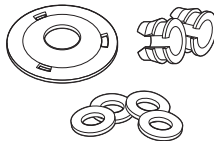
5 nuts for damper plate
assembly
(not located in hardware
bag—you must save nuts
when you remove damper
plate from inset hood
while unpacking parts)



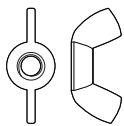
6 wood
screws for
hood liner



8 wood
screws for
insert
sleeve



6 insert sleeve chassis
plugs, 1 (optional) house
wire hole plug, 2 rubber
grommets, 4 insert sleeve
washers



2 wing nuts
with lock
washers for
blower motor

REMOTE MOUNTING OF THE CONTROL (WIRED)

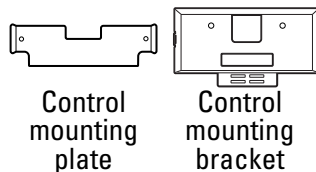


Blanking plate for
remote control
opening*

*NOTE: To be used
on custom hood
when controls are
remotely mounted.

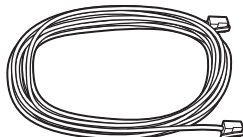


Control wall bracket



Control
mounting
plate

Control
mounting
bracket



Connector/
Converter

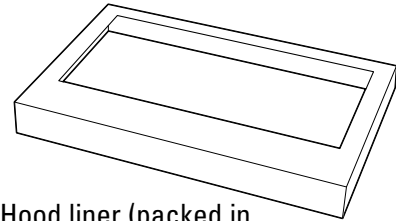
30 ft. of 4-wire cord
(straight-pinned)
with connector/converter
NOTE: Not for
telecommunications
(telephone) network.



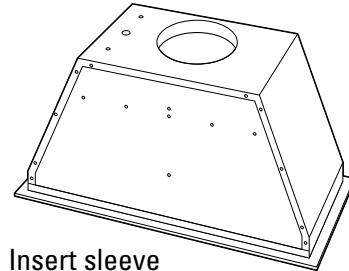
2 mounting plate
screws



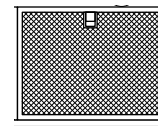
2 wall
bracket
screws



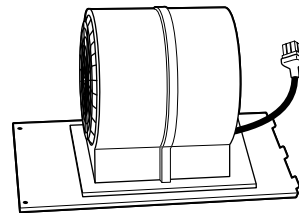
Hood liner (packed in
separate carton)



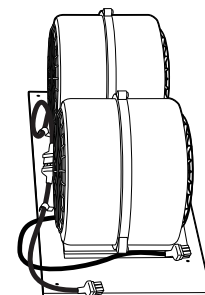
Insert sleeve



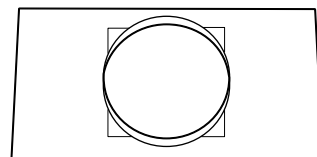
Filters



Blower motor
(30" and 36" Wide Models)



Dual blower motor
(42" and 48" Wide Models)



Damper plate

Wall Installation Preparation

DUCTWORK, WIRING LOCATIONS

Determine the exact location of the insert sleeve. Mark the exact centerline location.

The ceiling structure must be capable of supporting the weight of the insert sleeve (approximately 100 pounds), the canopy itself, any mounting hardware and any inadvertent user contact loads.

- Measure from the top of the cooking surface to the bottom edge of the insert sleeve. Add insert sleeve installation height. Mark that location.
- Use a level to draw a straight horizontal pencil line on the wall.

NOTE: House duct should drop to 11-1/2" above bottom edge of insert sleeve.

Location of house duct is important because it must align with vent of damper plate assembly.

Ceiling ducting:

If ductwork will vent straight up to the ceiling:

- Use a level to draw a centerline straight up to the ceiling.
- On the ceiling, measure 5-1/2" from the back wall to the centerline of an 8-1/2" hole.

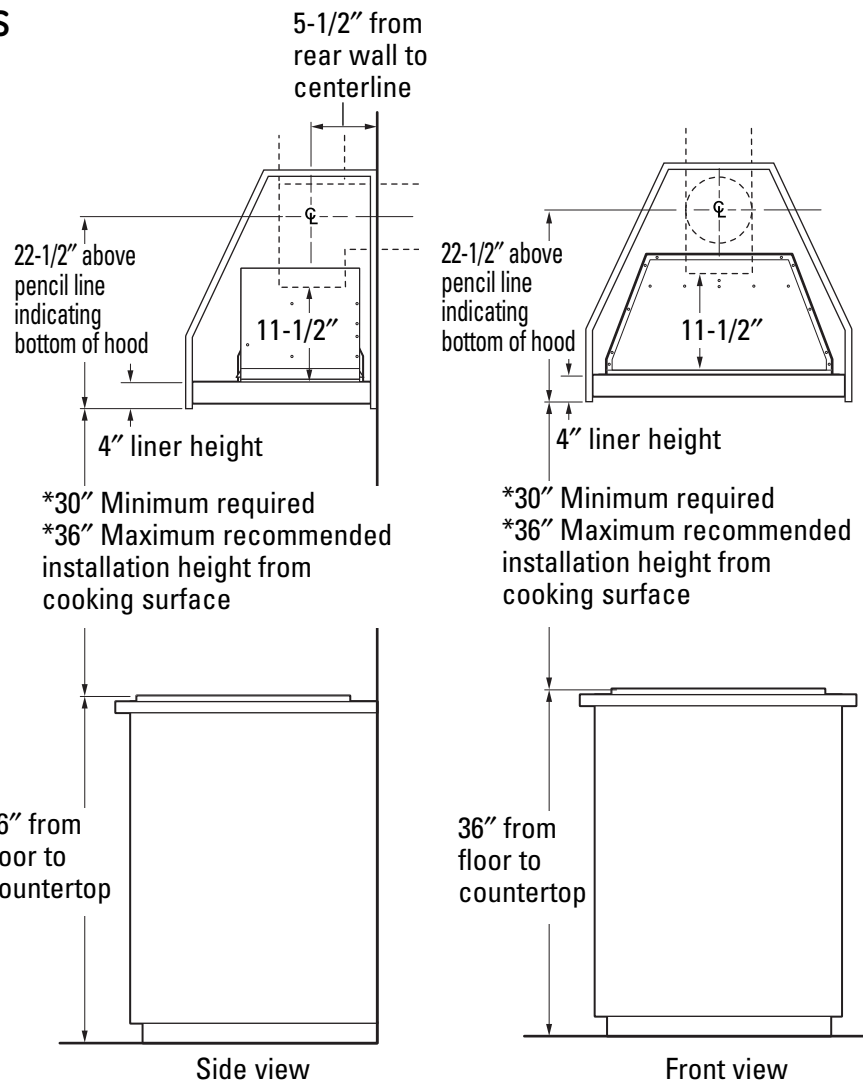
Rear Wall Ducting: (See important note.)

If ductwork will vent to the rear:

- Use a level to draw a centerline straight up to the ceiling.
- Measure at least 22-1/2" above the pencil line that indicates the bottom installation height, to the centerline of an 8-1/2" dia. duct hole. (Hole may be elongated for duct elbow.)

HOUSE WIRING LOCATION:

- The junction box is located inside the top left side of the hood.
- Wiring should enter the back wall at least 15" above the bottom of the insert sleeve, and within 6" of the left side of the centerline.



Illustrations not to scale

*Always refer to the cooktop or range installation instructions for product-specific clearances.

IMPORTANT NOTE: If you are planning to vent through the rear wall, and the ceiling height is 8 ft., the maximum installation height is 33" above the cooking surface.

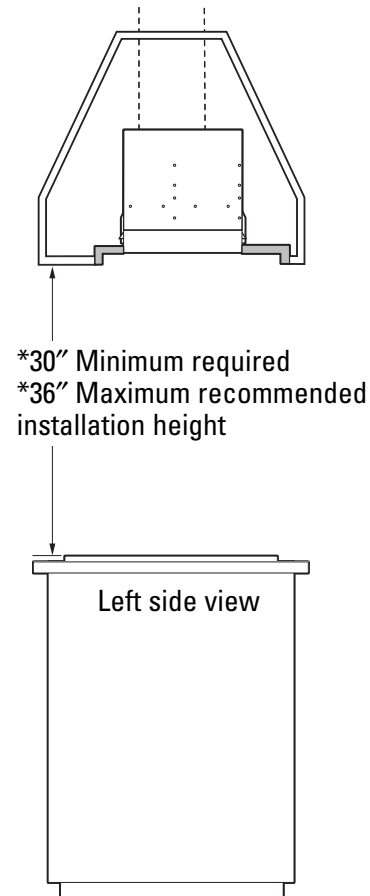
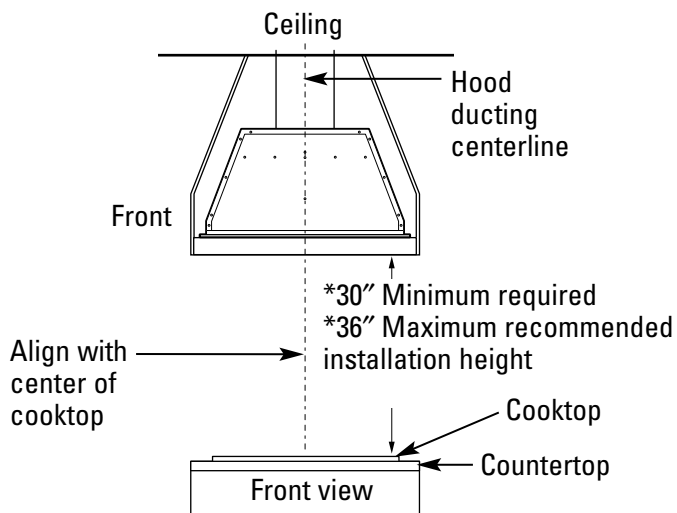
Island Installation Preparation

CONSTRUCT CEILING SUPPORT (for Island Installation)

Plan the Location of the Hood and Ductwork

The ceiling structure must be capable of supporting the weight of the insert sleeve (approximately 100 pounds), the canopy itself, any mounting hardware and any inadvertent user contact loads.

- Use a plumb bob to check the location. The countertop/cooktop below the insert sleeve must be centered with the insert sleeve.



Illustrations not to scale

*Always refer to the cooktop or range installation instructions for product-specific clearances.

- The insert sleeve in the canopy must be centered left to right over the cooktop.

- If desired, install the control in a remote location using the supplied mounting hardware. See the following pages for detailed instructions for mounting the control remotely.
- Refer to *Ceiling Ducting* on page 13 for ductwork installation.

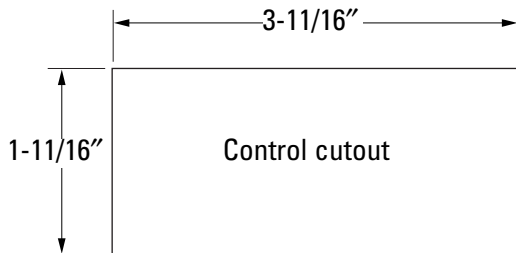
IMPORTANT: The exhaust outlet in the top of the insert sleeve is not centered; it is positioned closer to the back side. Therefore, the insert sleeve may not be centered front to back in the canopy. A custom liner constructed by the cabinet supplier is usually required for island installations.

NOTE: It is recommended that the custom hood insert be purchased and on-site before the canopy is constructed.

Installation Preparation

REMOTE MOUNTING OF THE CONTROL – WIRED

⚠ WARNING: Disconnect electrical power from unit before beginning remote control installation. Failure to do so could result in personal injury or damage to the electrical controls.



REMOTE LOCATION FOR CONTROL

NOTE: The hood is only certified for use with the supplied 30-ft. length of wire.

The control can be removed from the hood and installed in a backsplash or countertop.

- A cover plate is provided to cover the opening in the hood when the control is removed.
- A 30-ft. length of 4-wire cord is supplied to accommodate most installations. Because only 30-ft. of cord is provided, careful consideration must be given to the location of the remotely mounted control.
- The 30-ft. cord is supplied with a connector/converter on one end. **DO NOT REMOVE** the connector/converter from the 30-ft. cord. Failure to use the connector/converter with the shorter cord will prevent proper operation of the control.

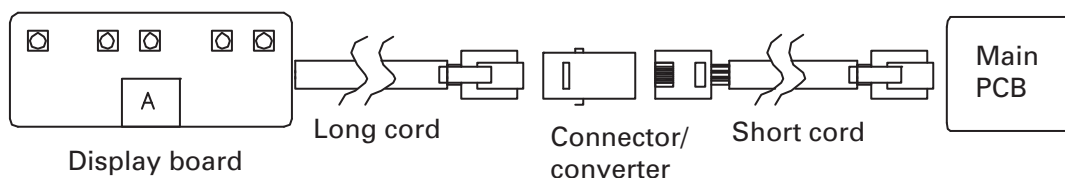
NOTE: Not for telecommunication (telephone) network.

- The cord must be routed through the holes in the insert sleeve, and the rubber grommets put into place around the cord.

NOTE: On the ZVC30 and ZVC36 models, the cord needs to be routed through the holes in the insert sleeve before the damper plate is installed.

- Route the cord through the conduit to reach the installation location of the control.

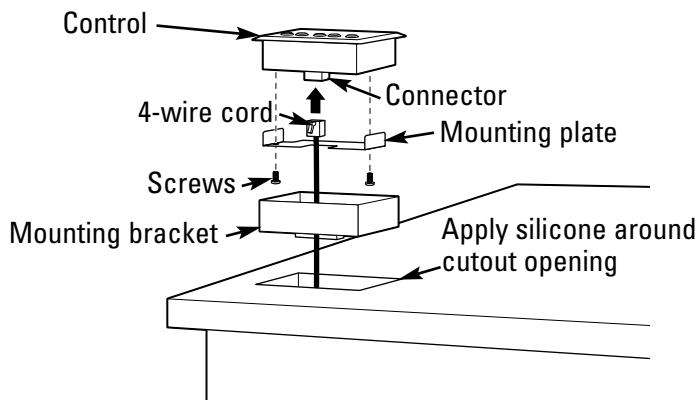
Remotely Mounted Control—Wall or Countertop Installation



Installation Preparation

REMOTE MOUNTING OF THE CONTROL – WIRED (Continued)

COUNTERTOP

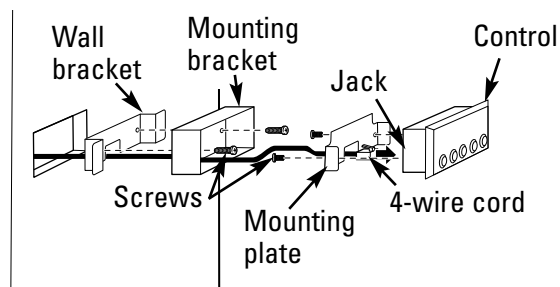


1. Cut out opening in the countertop. Cutout dimensions are 1-11/16" x 3-11/16".
2. Loosen the 4 thumbscrews and remove the control from the insert sleeve. Replace the control with the blanking plate provided.
3. Attach the mounting plate to the back of the control with the 2 mounting plate screws.
4. Pull the 4-wire cord through the opening in the countertop, and through the back of the mounting bracket.

NOTE: Use provided cables and connector/ converter ONLY.

5. Connect the 4-wire cord to the jack of the connector on the remotely mounted control.
6. Press the control firmly into the mounting bracket so that the clips engage.
7. Apply silicone around the cutout opening.
8. Insert the control into the cutout opening.

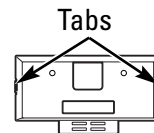
WALL MOUNT



1. Cut out opening into the wall surface. Cutout dimensions are 1-11/16" x 3-11/16".
2. Loosen the 4 thumbscrews and remove the control from the insert sleeve. Replace the control with the blanking plate provided.
3. Attach the mounting plate to the back of the control with the 2 mounting plate screws.
4. Pull the 4-wire cord through the opening in the wall, the wall bracket and the back of the mounting bracket.

NOTE: Use provided cables and connector/ converter ONLY.

5. Connect the mounting bracket to the wall bracket using the two wall bracket screws. Only start the first 1-2 threads of the screws into the wall, as you want to leave a gap between the two brackets to account for the wall thickness.
6. Raise the tabs on the mounting bracket so the bracket will fit through the wall opening.
7. Angle the mounting and wall brackets and slide them through the wall cutout.

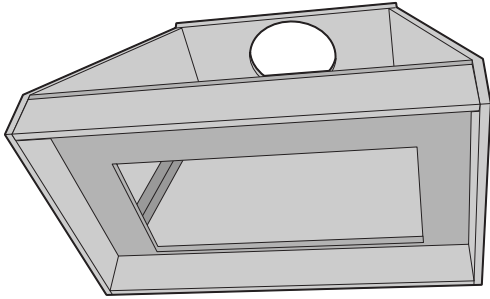


NOTE: Attach a string to the brackets, so you can retrieve them from behind the wall if dropped.

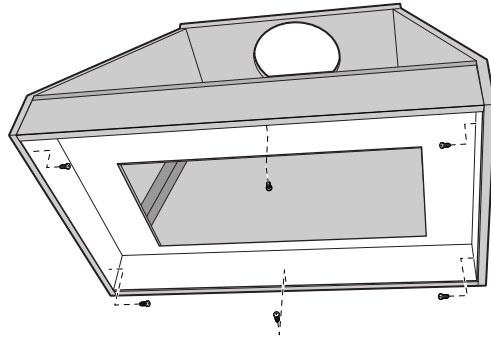
8. Flatten tabs on mounting bracket so they are flush with the wall surface, and tighten the wall bracket screws to pull the wall bracket flanges flush with the backside surface of the wall.
9. Connect the 4-wire cord to the jack of the connector on the remotely mounted control.
10. Press the control firmly into the mounting bracket so that the clips engage.

Installation Instructions

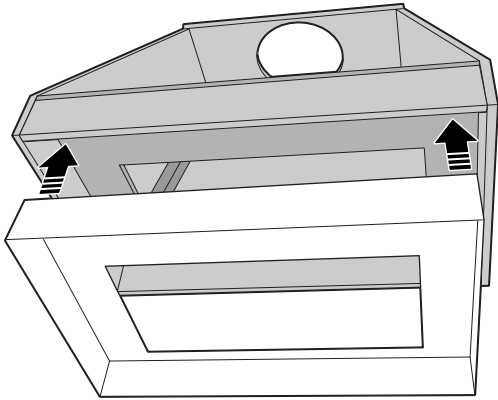
STEP 1 INSTALL HOOD LINER



1. Frame the cutout opening to fit the liner.
NOTE: The opening support must be 3/4" thick wood to accept the liner installation screws.



3. Secure the liner to the cabinet with 6 screws provided.



2. Slide the liner up and into the opening until flush with bottom edges.

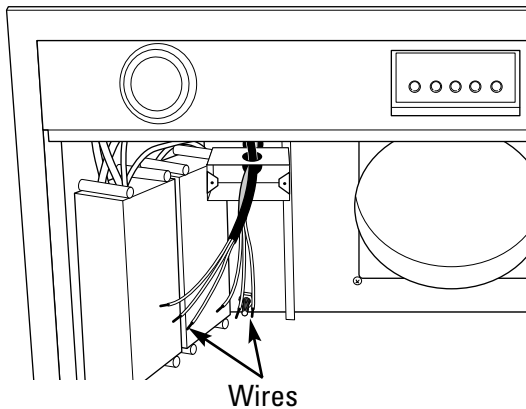
Installation Instructions

STEP 2 CONNECT ELECTRICAL

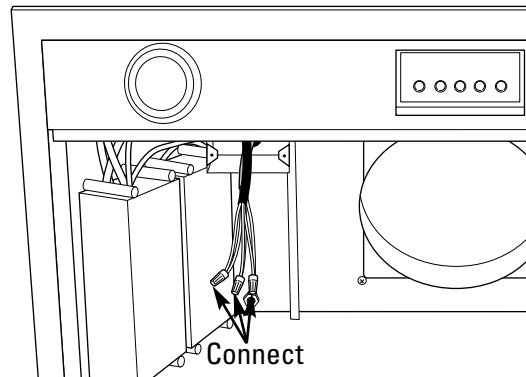
Verify that power is turned off at the source.

⚠ WARNING: If house wiring is not 2-wire with a ground wire, an electrician will need to convert existing wiring to meet these specs. When house wiring is aluminum, be sure to use U.L.-approved anti-oxidant compound and aluminum-to-copper connectors.

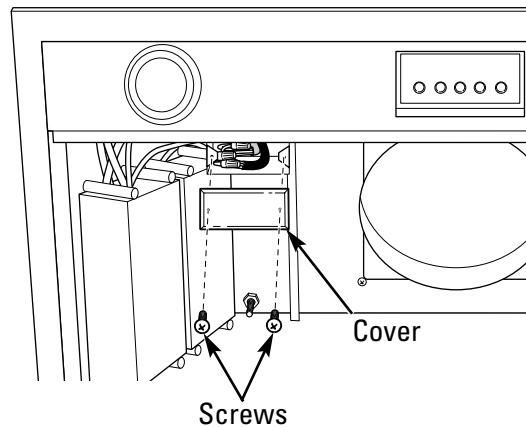
1. Place insert sleeve on padded, yet stable, surface below cutout (can use flattened carton to pad surface).
2. Remove the junction box cover.



3. Pull house wires through wall of insert sleeve and attach the strain relief. Thread the house wire through the junction box.



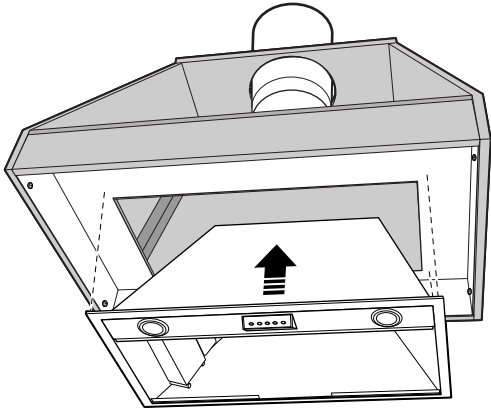
4. Connect white leads to branch circuit white lead.
5. Connect black leads to branch circuit black lead.
6. Connect green/yellow leads to branch circuit green lead.
7. Secure all connections with wire nuts on each electrical connector.



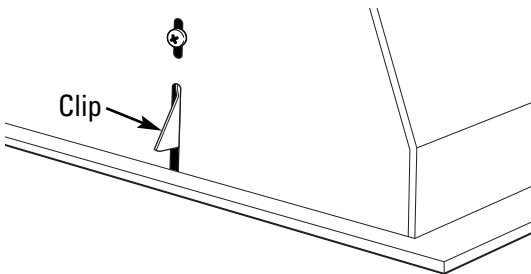
8. Carefully push wires into junction box and replace cover.
9. Secure junction box cover with original screws.

Installation Instructions

STEP 3 INSTALL INSERT SLEEVE

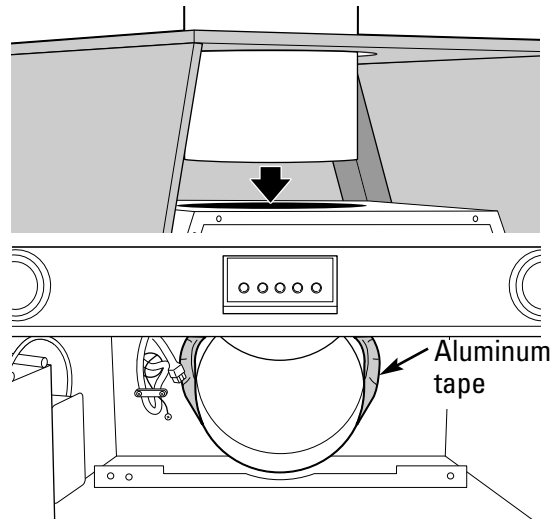


1. Tuck the house wiring out of the way.
2. Install the insert sleeve into the cutout opening of custom cabinet frame.



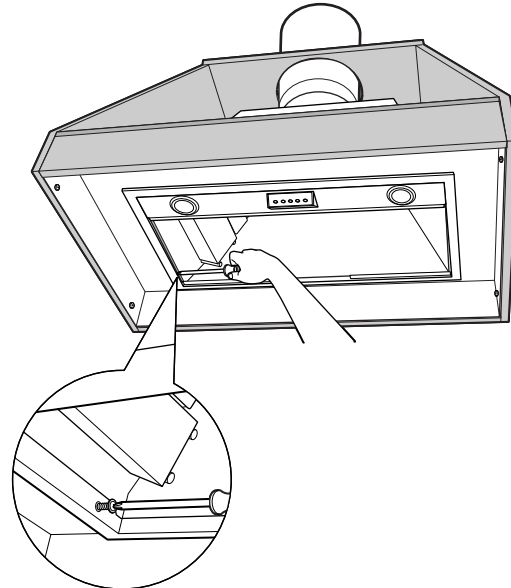
3. Push the insert sleeve straight up through the cutout opening until the temporary locking clips engage. The locking clips are designed to hold the insert sleeve in place until it is secured with screws.

NOTE: The locking clips are not designed to support all of the weight of the insert sleeve. Do not leave the insert sleeve unattended until screws have been inserted.



4. Align 8" duct to exhaust opening of insert sleeve and seal with aluminum tape.

NOTE: House duct should drop to 11-1/2" above bottom edge of insert sleeve or the bottom of the 3/4" cabinet base.

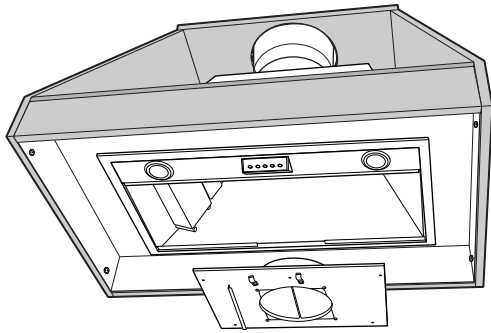


5. Tape the 4 washers in place over the outside of the 4 front and back holes of the insert sleeve. The washers are designed to be located between the insert sleeve and the 3/4" cabinet surface.
6. Press the sleeve up firmly and secure with the 8 screws provided. The insert sleeve should be flush with the liner and have no visible gaps.

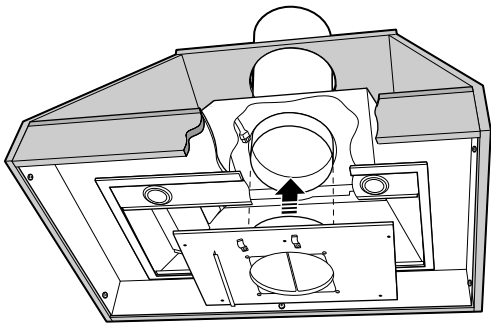
NOTE: It is IMPORTANT to install front mounting screw. The front screw hole is difficult to see and may require you to place your head into the cutout opening to locate.

Installation Instructions

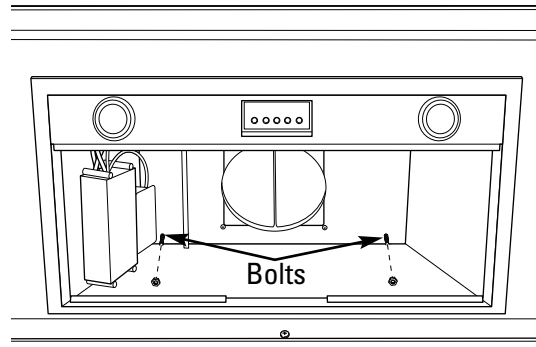
STEP 4 INSTALL DAMPER PLATE



1. Pick up damper plate assembly and rotate so that vent side is up and bracket is located on left as you stand facing hood.



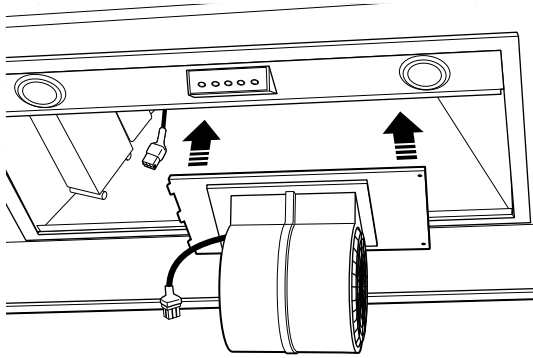
2. Insert damper plate assembly into insert sleeve and carefully align with 8" house duct.



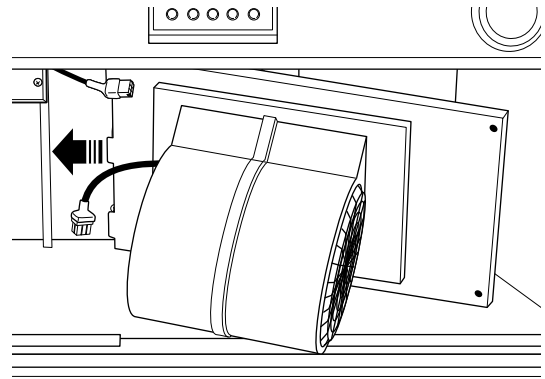
3. Secure damper plate assembly by placing nuts on bolts and tightening with socket or wrench.

Installation Instructions

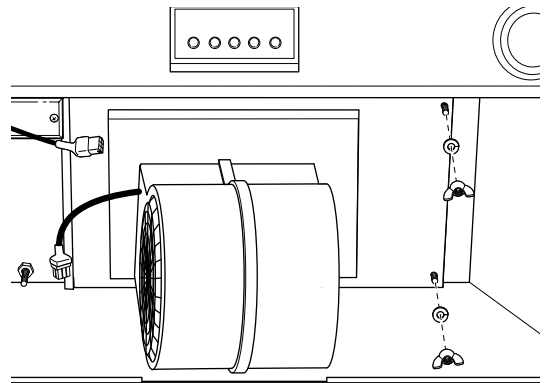
STEP 5 INSTALL BLOWER MOTOR



1. Pick up blower motor and rotate so tabs align with damper plate bracket.
2. Insert blower motor into insert sleeve through cutout opening of custom cabinet frame.



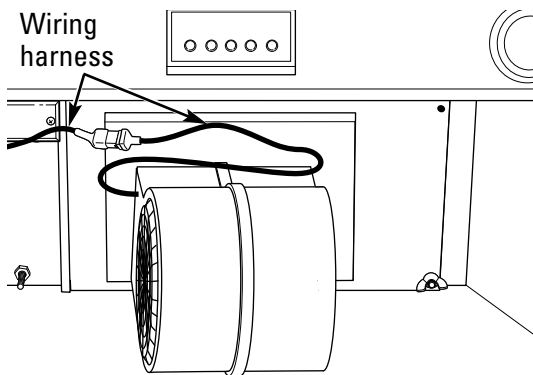
3. Place blower motor on damper plate assembly by sliding blower motor tabs into slots of damper plate assembly.



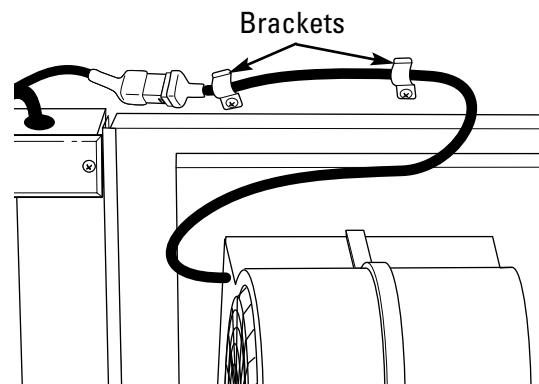
4. While holding blower motor in place, lift right side so that blower motor bolt holes align with bolts protruding from damper plate assembly and secure with lock washers and wing nuts (hand tighten).

STEP 6 CONNECT WIRING HARNESS

NOTE: Connect three routing clips and two wiring harnesses on double blower models.



1. Locate both ends of wiring harness.
2. Connect wiring harness by inserting male into female opening.

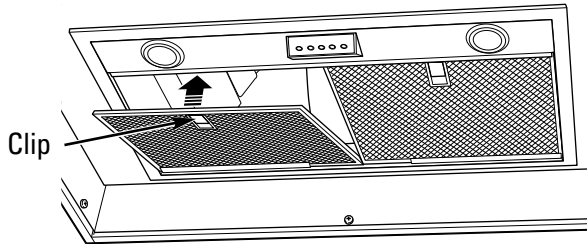


3. Carefully route wiring harness and ground wire through two clips attached to blower plate assembly.

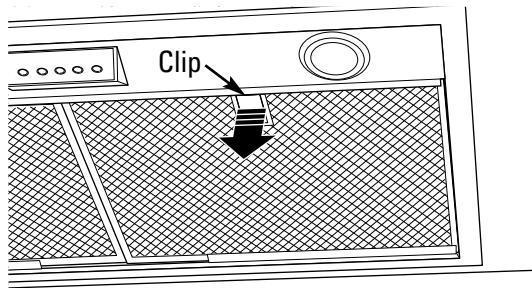
Installation Instructions

STEP 7 INSTALL FILTERS

1. Remove protective film from the filters.



2. Tip the filter into the back tab slots and lift up. While maintaining slight backward pressure on filter, open clip and press into place with two hands.



3. To remove, support filter with one hand while pulling filter clip down with the other.

STEP 8 FINALIZE INSTALLATION

1. Check to be sure all tape and packaging materials have been removed.
2. Refer to Owner's Manual for operating instructions.

Instructions d'installation



AVANT DE COMMENCER

Lisez ces instructions entièrement et attentivement.

- **IMPORTANT** – Conservez ces instructions pour l'inspecteur électrique local.
- **IMPORTANT** – Respectez tous les codes et règlements applicables
- **Remarque pour l'installateur** – Assurez-vous de remettre ces instructions au client.
- **Remarque pour le client** – Conservez ces instructions pour une future référence.
- **Niveau de compétence** – L'installation de cette hotte d'extraction demande des connaissances de base en mécanique et en électricité.
- **Délai d'exécution** – 1 à 3 heures.
- L'installateur est responsable de l'installation correcte de l'appareil.
- La panne de l'appareil due à une mauvaise installation n'est pas couverte par la garantie.

Pour les services locaux Monogram dans votre secteur, appelez le 1.800.444.1845.

Pour les services Monogram au Canada, appelez le 1.800.561.3344.

Pour les Pièces et Accessoires Monogram, appelez 1.800.626.2002.

⚠ MISE EN GARDE :

A cause de la taille et du poids de ces hottes d'extraction ainsi que pour réduire le risque de blessure corporelle ou de dommage au produit, **DEUX PERSONNES SONT REQUISES POUR UNE INSTALLATION CORRECTE.**

⚠ AVERTISSEMENT :

Pour réduire le risque d'incendie ou de choc électrique, n'utilisez pas cette hotte avec un dispositif de contrôle de la vitesse à semi-conducteurs. Toute altération du câblage électrique d'origine peut endommager l'appareil et/ou créer un risque électrique.

POUR RÉDUIRE LE RISQUE D'INCENDIE, N'UTILISEZ QUE DES CONDUITS MÉTALLIQUES.

⚠ AVERTISSEMENT : POUR RÉDUIRE LE RISQUE D'INCENDIE, DE CHOC ÉLECTRIQUE OU DE BLESSURE CORPORELLE, SUIVEZ LES INSTRUCTIONS SUIVANTES :

- A. Cet appareil doit uniquement être utilisé aux fins prévues par le fabricant. Si vous avez des questions, contactez le fabricant.
- B. Avant de réparer ou de nettoyer un appareil, coupez l'alimentation électrique au niveau du tableau de distribution et verrouillez le disjoncteur pour éviter que l'alimentation électrique ne soit accidentellement rétablie. Quand il n'est pas possible de verrouiller le disjoncteur, attachez un moyen d'avertissement, une étiquette par exemple, au panneau de distribution.

⚠ **MISE EN GARDE :** Pour une évacuation de type général seulement. N'utilisez pas cet appareil pour évacuer des substances ou des vapeurs nocives ou explosives.

⚠ AVERTISSEMENT : POUR RÉDUIRE LE RISQUE D'INCENDIE, DE CHOC ÉLECTRIQUE OU DE BLESSURE CORPORELLE, SUIVEZ LES INSTRUCTIONS SUIVANTES :

- A. L'installation et le câblage électrique doivent être effectués par une personne qualifiée, conformément à tous les codes et toutes les normes applicables, dont ceux concernant la résistance au feu des constructions.
- B. Une quantité d'air suffisante est nécessaire à une combustion et une évacuation appropriées des gaz par le conduit d'évacuation (cheminée) de l'équipement à combustible pour éviter tout refoulement. Suivez les directives et normes de sécurité du fabricant de l'appareil chauffant, comme celles publiées par la National Fire Protection Association (NFPA), par l'American Society for Heating, Refrigeration and Air Conditioning Engineers (ASHRAE) et par les autorités locales.
- C. Lorsque vous effectuez des découpes ou que vous percez un mur ou un plafond, n'endommagez pas le câblage électrique ou tout autre réseau d'alimentation caché.
- D. L'air des ventilateurs disposant de conduits d'aération doit toujours être évacué vers l'extérieur.
 - Les codes locaux peuvent varier. L'installation de branchements électriques et la mise à la terre doivent être conforme aux codes en vigueur. Les évacuations doivent être installées conformément à la dernière édition du Code Electrique National ANSI/NFPA No 70-1990.

Instructions d'installation

▲ MISE EN GARDE : Pour réduire le risque d'incendie et pour évacuer correctement l'air, assurez-vous que le conduit d'air est dirigé vers l'extérieur. N'évacuez pas l'air vers des espaces clos, des espaces ayant des murs ou des plafonds, vers le grenier, vers un vide sanitaire ou un garage.

▲ AVERTISSEMENT : POUR RÉDUIRE LE RISQUE D'INCENDIE DE GRAISSE SUR LA CUISINIÈRE :

- A. Ne laissez jamais les éléments de surface sans supervision lorsqu'ils sont réglés à une chaleur élevée. Les débordements par bouillonnement peuvent provoquer des fumées et faire déborder des matières grasses qui peuvent s'enflammer. Faites chauffer l'huile doucement à feu doux ou moyen.
- B. Mettez toujours la hotte en MARCHE lorsque vous cuisinez à feu fort ou que vous faites flamber des aliments (par exemple, des crêpes Suzette, des cerises jubilé ou du boeuf flambé au poivre).
- C. Nettoyez régulièrement les ventilateurs. Ne laissez pas les graisses s'accumuler sur le ventilateur ou sur le filtre.
- D. Utilisez la bonne taille d'ustensiles. Utilisez toujours des ustensiles dont la taille correspond à celle de l'élément.

▲ AVERTISSEMENT : POUR RÉDUIRE LE RISQUE DE BLESSURE CORPORELLE EN CAS DE FEU DE GRAISSE SUR LA CUISINIÈRE, SUIVEZ LES CONSIGNES SUIVANTES* :

- A. ÉTOUFFEZ LES FLAMMES à l'aide d'un couvercle, d'une plaque à gâteaux ou d'un plateau métallique, puis éteignez le brûleur. FAITES ATTENTION DE NE PAS VOUS BRÛLER. Si les flammes ne s'éteignent pas immédiatement, ÉVACUEZ LES LIEUX ET APPELEZ LES POMPIERS.
- B. NE SOULEVEZ OU NE DÉPLACEZ JAMAIS UNE CASSEROLE EN FEU—Vous pourriez vous brûler.
- C. N'UTILISEZ PAS D'EAU, de torchons ou de serviettes mouillés, une violente explosion de vapeur pourrait en résulter.
- D. Utilisez un extincteur SEULEMENT SI :
 - 1) Vous avez un extincteur de classe ABC et vous savez l'utiliser.
 - 2) Le feu est faible et contenu dans la zone où il s'est déclaré.
 - 3) Vous avez appelé les pompiers.
 - 4) Vous pouvez combattre le feu en faisant dos à une sortie.

* Selon la documentation « Kitchen Firesafety Tips » publié par la NFPA.

Information de conception

TABLE DES MATIÈRES

Information de conception

Dégagements.....	25
Dimensions de l'appareil.....	26-29

Planification

Planification	30
Montage des commandes à distances (câblées).....	30
Alimentation électrique	30
Raccords de conduit	31

Préparation pour l'installation

Outils et matériels nécessaires	32
Retrait de l'emballage	32
Pièces fournies	33
Emplacement des conduits et du câblage	34
Construction du support de plafond.....	35
Montage des commandes à distances -câblées	36, 37

Instructions d'installation

Etape 1, Installation de la doublure de la hotte	38
Etape 2, Branchement électrique	39
Etape 3, Installation de la gaine de hotte encastrable	40
Etape 4, Installation du registre à guillotine	41
Etape 5, Installation des moteurs de ventilateurs	42
Etape 6, Branchement du faisceau électrique	42
Etape 7, Installation des filtres	43
Etape 8, finalisation de l'installation.....	43

DÉGAGEMENTS

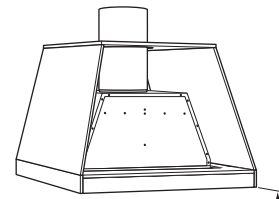
L'assemblage de la hotte d'extraction et de la doublure doit être installé à 30 po minimum et 36 po maximum de la surface de cuisson.

- Veuillez toujours vous référer aux instructions d'installation pour connaître les dégagements nécessaires spécifiques à ce produit.

REMARQUE : Les hauteurs d'installation doivent être mesurées à partir de la surface de cuisson jusqu'au bord inférieur de la doublure métallique de la hotte ou de la surface du meuble.

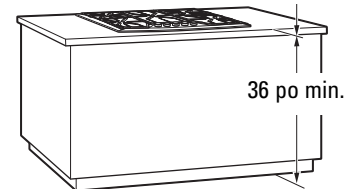
REMARQUE : Selon UL, toute surface combustible doit être au minimum à 30 po au-dessus de la surface de cuisson.

- L'air de cette hotte doit toujours être évacué vers l'extérieur.
- Cette hotte peut être installée contre un mur ou au-dessus d'un îlot.
- Cette hotte peut être installée au-dessus de toutes les surfaces de cuisson à gaz ou électriques Monogram ou les surfaces de cuisson ou cuisinières Monogram Professional d'une largeur équivalente.



*Minimum de 30 po requis

*Maximum de 36 po recommandé

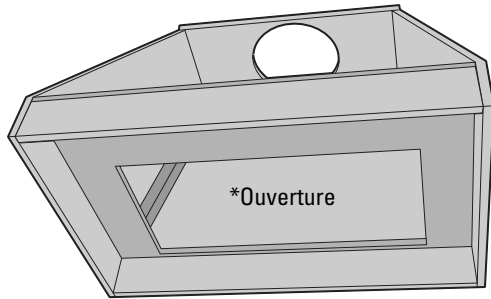


*REMARQUE : L'évacuation par le mur arrière peut affecter la hauteur d'installation. Se référer page 34.

Information de conception

DIMENSIONS DE L'APPAREIL

ZVC30

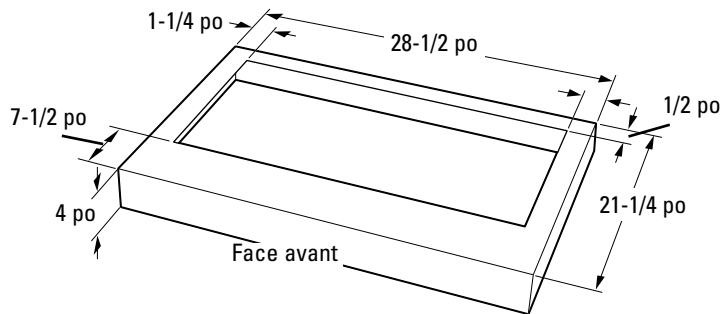


L'habillage sur mesure doit être conçu pour accepter la gaine à encastrer. Fabriquez un habillage dont l'ouverture a les dimensions suivantes :

Largeur de 26 po x Profondeur de 13-3/16 po

Elle doit être fabriquée en matériau d'une épaisseur de 3/4 po pour permettre aux fixations autobloquantes de la gaine de s'accrocher.

Doublure de hotte fournie



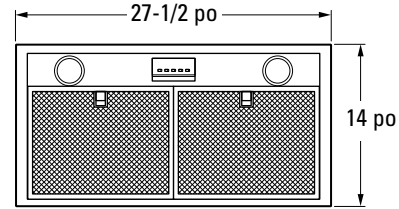
Une doublure de hotte en acier inoxydable est expédiée avec chaque hotte encastrable. Cette doublure incombustible protège la face inférieure de l'habillage de la hotte.

Doublure sur mesure

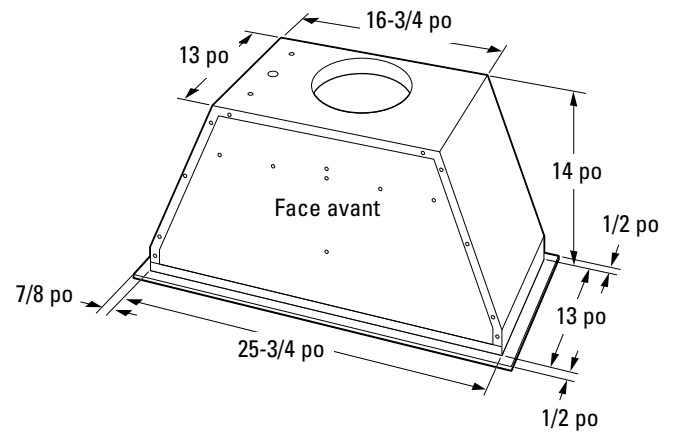
Si vous n'utilisez pas la doublure fournie, vous pouvez fabriquer une doublure incombustible sur mesure. Utilisez la doublure fournie comme modèle. **L'ouverture doit être de 26 po de largeur et de 13-3/16 po de profondeur.** Un matériau d'une épaisseur de 3/4 po doit constituer le tour de l'ouverture pour permettre aux fixations autobloquantes de s'accrocher. La gaine à l'intérieur du meuble doit être positionnée à 1/2 po du mur arrière de façon à ce que le milieu du conduit de diamètre 8 po soit à 5-1/2 po du mur arrière.

Dimensions et spécifications (en pouces)

Dimensions externes



Gaine de la hotte

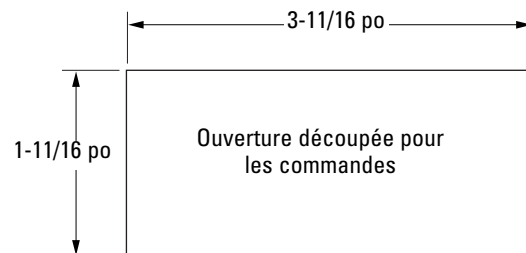


Le bord inférieur de la gaine de la hotte encastrable est équipé de brides d'une largeur de 7/8 po sur les côtés et de 1/2 po à l'avant et à l'arrière.

Emplacement à distance des commandes

Les commandes peuvent être retirées de la hotte et installées dans un mur ou sur un comptoir. Un câble d'une longueur de 30 pieds est fourni pour permettre d'effectuer la majorité des installations. Un cache permet de recouvrir l'ouverture après le retrait de commandes.

Le bloc de commandes a les dimensions suivantes : 4-1/4 po de largeur et 2-1/4 de profondeur.

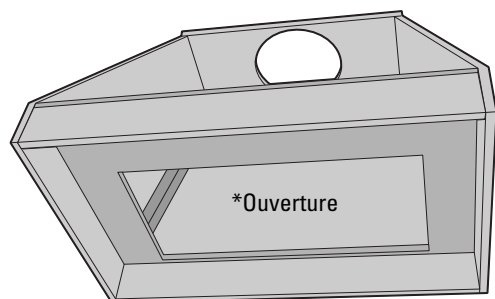


Pour des surfaces en granit ou pour toute autre surface dure, il est préférable de découper l'ouverture avant d'installer le comptoir.

Information de conception

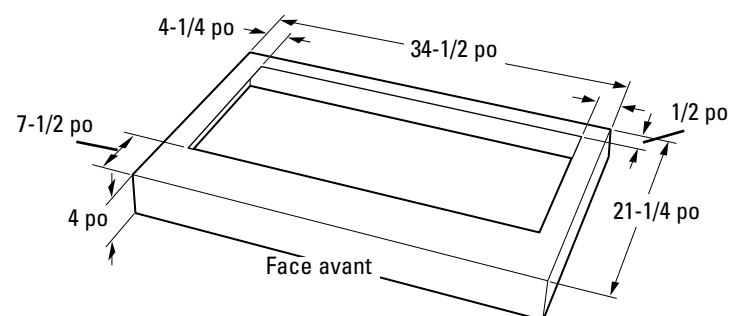
DIMENSIONS DE L'APPAREIL

ZVC36



L'habillage sur mesure doit être conçu pour accepter la gaine à encastrer. Fabriquez un habillage dont l'ouverture a les dimensions suivantes :
Largeur de 26 po x Profondeur de 13-3/16 po
Elle doit être fabriquée en matériau d'une épaisseur de 3/4 po pour permettre aux fixations autobloquantes de la gaine de s'accrocher.

Doublure de hotte fournie



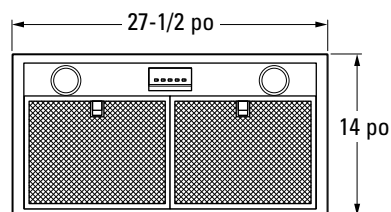
Une doublure de hotte en acier inoxydable est expédiée avec chaque hotte encastrable. Cette doublure incombustible protège la face inférieure de l'habillage de la hotte.

Doublure sur mesure

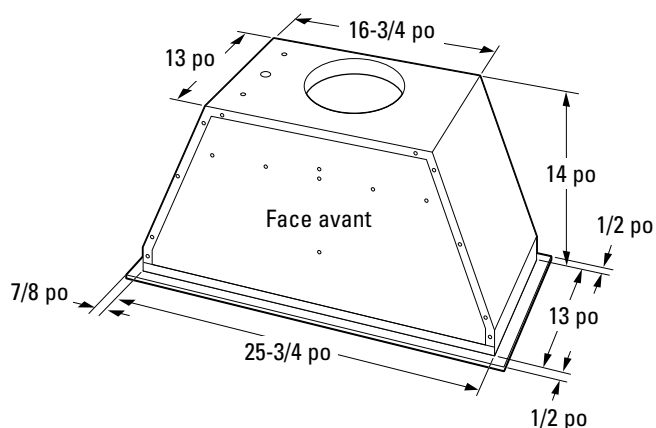
Si vous n'utilisez pas la doublure fournie, vous pouvez fabriquer une doublure incombustible sur mesure. Utilisez la doublure fournie comme modèle. **L'ouverture doit être de 26 po de largeur et de 13-3/16 po de profondeur.** Un matériau d'une épaisseur de 3/4 po doit constituer le tour de l'ouverture pour permettre aux fixations autobloquantes de s'accrocher. La gaine à l'intérieur du meuble doit être positionnée à 1/2 po du mur arrière de façon à ce que le milieu du conduit de diamètre 8 po soit à 5-1/2 po du mur arrière.

Dimensions et spécifications (en pouces)

Dimensions externes



Gaine de la hotte

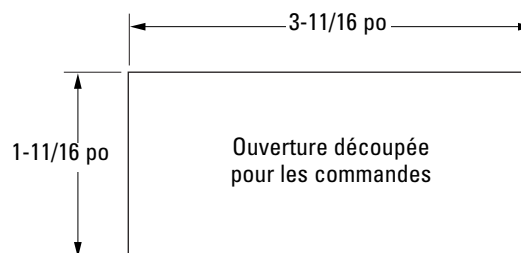


Le bord inférieur de la gaine de la hotte encastrable est équipé de brides d'une largeur de 7/8 po sur les côtés et de 1/2 po à l'avant et à l'arrière.

Emplacement à distance des commandes

Les commandes peuvent être retirées de la hotte et installées dans un mur ou sur un comptoir. Un câble d'une longueur de 30 pieds est fourni pour permettre d'effectuer la majorité des installations. Un cache permet de recouvrir l'ouverture après le retrait de commandes.

Le bloc de commandes a les dimensions suivantes : 4-1/4 po de largeur et 2-1/4 de profondeur.

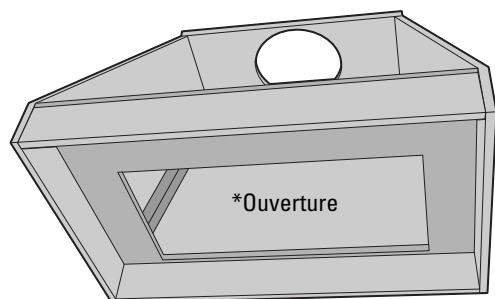


Pour des surfaces en granit ou pour toute autre surface dure, il est préférable de découper l'ouverture avant d'installer le comptoir.

Information de conception

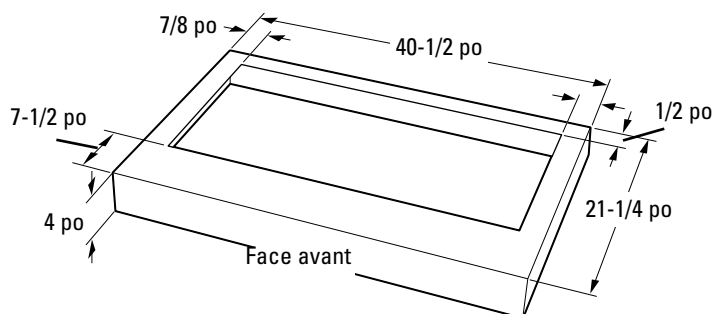
DIMENSIONS DE L'APPAREIL

ZVC42



L'habillage sur mesure doit être conçu pour accepter la gaine à encastrer. Fabriquez un habillage dont l'ouverture a les dimensions suivantes :
Largeur de 38-3/4 po x Profondeur de 13-3/16 po
 Elle doit être fabriquée en matériau d'une épaisseur de 3/4 po pour permettre aux fixations autobloquantes de la gaine de s'accrocher.

Doublure de hotte fournie



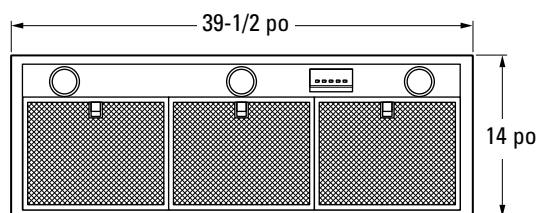
Une doublure de hotte en acier inoxydable est expédiée avec chaque hotte encastrable. Cette doublure incombustible protège la face inférieure de l'habillage de la hotte.

Doublure sur mesure

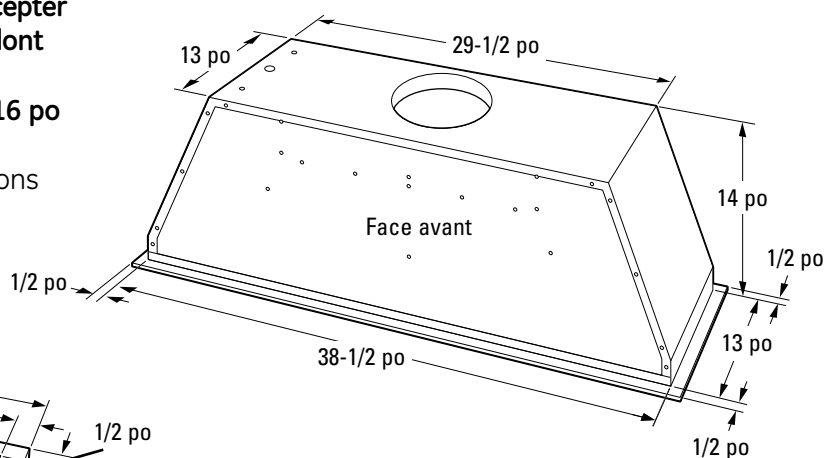
Si vous n'utilisez pas la doublure fournie, vous pouvez fabriquer une doublure incombustible sur mesure. Utilisez la doublure fournie comme modèle. **L'ouverture doit être de 38-1/4 po de large et de 13-3/16 po de profondeur.** Un matériau d'une épaisseur de 3/4 po doit constituer le tour de l'ouverture pour permettre aux fixations autobloquantes de s'accrocher. La gaine à l'intérieur du meuble doit être positionnée à 1/2 po du mur arrière de façon à ce que le milieu du conduit de diamètre 8 po soit à 5-1/2 po du mur arrière.

Dimensions et spécifications (en pouces)

Dimensions externes



Gaine de la hotte

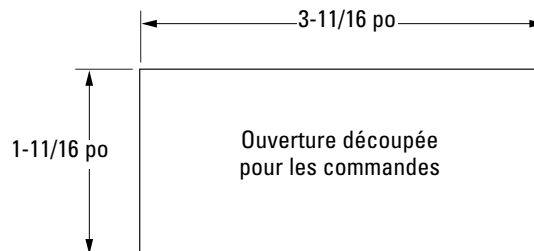


Les brides de 1/2 po de largeur entourent le bord extérieur de la gaine.

Emplacement à distance des commandes

Les commandes peuvent être retirées de la hotte et installées dans un mur ou sur un comptoir. Un câble d'une longueur de 30 pieds est fourni pour permettre d'effectuer la majorité des installations. Un cache permet de recouvrir l'ouverture après le retrait de commandes.

Le bloc de commandes a les dimensions suivantes : 4-1/4 po de largeur et 2-1/4 de profondeur.

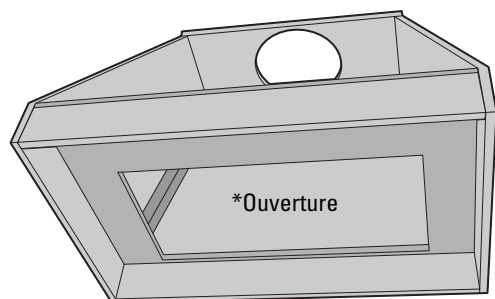


Pour des surfaces en granit ou pour toute autre surface dure, il est préférable de découper l'ouverture avant d'installer le comptoir.

Information de conception

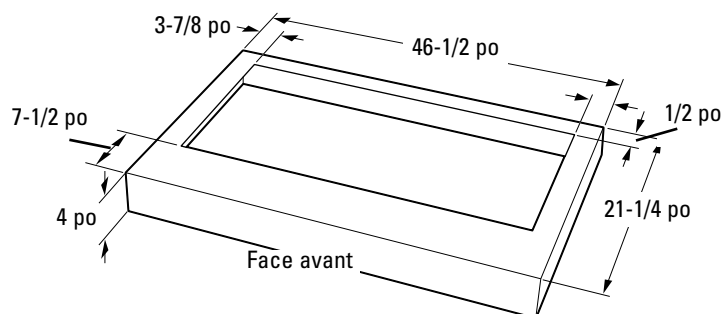
DIMENSIONS DE L'APPAREIL

ZVC48



L'habillage sur mesure doit être conçu pour accepter la gaine à encastrer. Fabriquez un habillage dont l'ouverture a les dimensions suivantes :
Largueur de 38-3/4 po x Profondeur de 13-3/16 po
 Elle doit être fabriquée en matériau d'une épaisseur de 3/4 po pour permettre aux fixations autobloquantes de la gaine de s'accrocher.

Doublure de hotte fournie



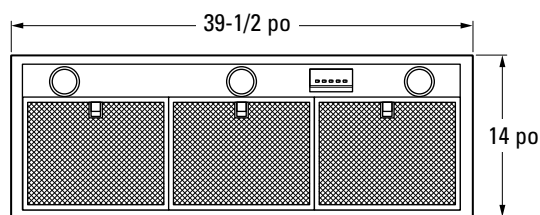
Une doublure de hotte en acier inoxydable est expédiée avec chaque hotte encastrable. Cette doublure incombustible protège la face inférieure de l'habillage de la hotte.

Doublure sur mesure

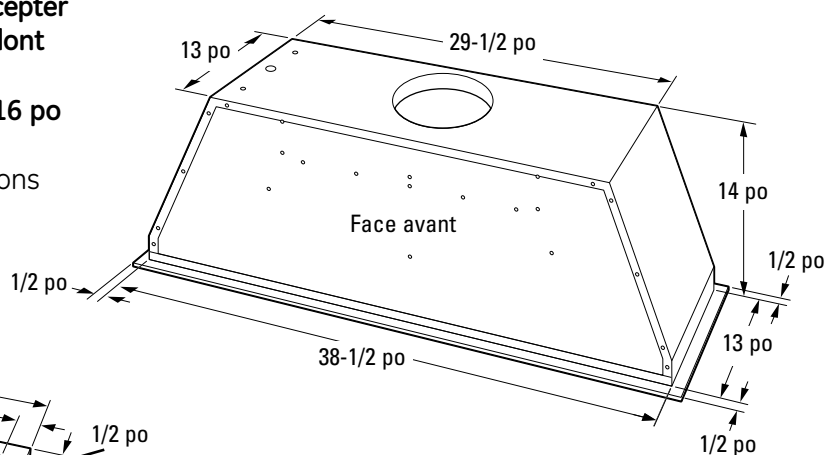
Si vous n'utilisez pas la doublure fournie, vous pouvez fabriquer une doublure incombustible sur mesure. Utilisez la doublure fournie comme modèle. **L'ouverture doit être de 38-1/4 po de large et de 13-3/16 po de profondeur.** Un matériau d'une épaisseur de 3/4 po doit constituer le tour de l'ouverture pour permettre aux fixations autobloquantes de s'accrocher. La gaine à l'intérieur du meuble doit être positionnée à 1/2 po du mur arrière de façon à ce que le milieu du conduit de diamètre 8 po soit à 5-1/2 po du mur arrière.

Dimensions et spécifications (en pouces)

Dimensions externes



Gaine de la hotte

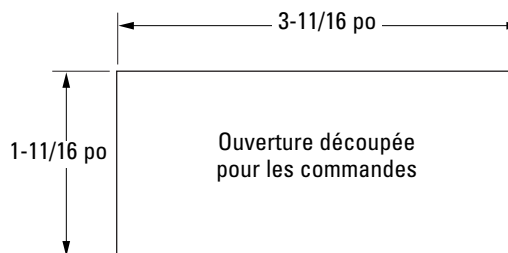


Les brides de 1/2 po de largeur entourent le bord extérieur de la gaine.

Emplacement à distance des commandes

Les commandes peuvent être retirées de la hotte et installées dans un mur ou sur un comptoir. Un câble d'une longueur de 30 pieds est fourni pour permettre d'effectuer la majorité des installations. Un cache permet de recouvrir l'ouverture après le retrait de commandes.

Le bloc de commandes a les dimensions suivantes : 4-1/4 po de largeur et 2-1/4 de profondeur.



Pour des surfaces en granit ou pour toute autre surface dure, il est préférable de découper l'ouverture avant d'installer le comptoir.

Planification

PLANIFICATION

Planification des conduits

- Cette hotte est équipée de conduit de section circulaire de 8 po de diamètre.
- Déterminez l'emplacement exact de la hotte d'extraction.
- Planifiez le cheminement des conduits de ventilation vers l'extérieur. Cette hotte n'est pas conçue pour un fonctionnement avec recyclage de l'air.
- Utilisez les cheminements de conduit les plus droits et les plus courts possibles. Pour une performance satisfaisante, la longueur du conduit ne doit pas dépasser un équivalent de 100 pieds quelque que soit la configuration du conduit.
- Référez-vous au tableau "Raccords de conduit" pour calculer la longueur maximale admise du conduit vers l'extérieur.
- Utilisez seulement des conduits métalliques rigides.
- Installez des événements muraux ou de toiture avec un registre sur l'ouverture vers l'extérieur. Commandez à l'avance les événements et tout autre raccord de transition requis.

Cadres muraux ou au plafond pour un support adéquat

Cette hotte d'extraction est lourde et la structure du meuble doit soutenir le poids de la gaine de la hotte. Tous les types d'installation doivent avoir un support structurel approprié.

- L'installation sera facilitée si la hotte d'extraction est installée avant la surface de caisson.

Planification du cadre pour les meubles sur mesure

- L'habillage sur mesure doit être adapté à la taille de la gaine de la hotte encastrable. Voir pages 5 et 9 pour plus de détails.

Montage des commandes à distances (câblées)

- Les commandes peuvent être installées à distance sur un mur ou sur un comptoir.
- Il est recommandé d'utiliser un installateur professionnel pour préparer l'ouverture découpée dans le comptoir.
- Pour des surfaces en granit ou pour toute autre surface dure, il est préférable de découper l'ouverture avant d'installer le comptoir.
- L'ouverture doit être découpée à plus de 6 po du bord du comptoir.
- Si vous installez les commandes au-dessus d'un tiroir, tenez compte de la profondeur du bloc de commandes.
- Un câble d'une longueur de 30 pieds est fourni. L'emplacement des commandes à distance doit être soigneusement réfléchi.
- Il est recommandé de faire passer le câble à 4 brins par un conduit d'un diamètre d'1 po entre la gaine de la hotte encastrable et l'emplacement des commandes.

ALIMENTATION ÉLECTRIQUE

IMPORTANT - (À lire attentivement)

⚠ AVERTISSEMENT :

POUR DES RAISONS DE SÉCURITÉ, CET APPAREIL DOIT ÊTRE CORRECTEMENT MIS À LA TERRE.

Retirez le fusible du domicile ou ouvrez le disjoncteur avant de commencer l'installation.

Les rallonges et les adaptateurs ne doivent pas être utilisés avec cet appareil. Veuillez suivre les codes électriques nationaux ou les codes et règlements locaux.

Alimentation électrique

Cette hotte d'extraction doit être alimentée par du 120V, 60Hz, et branchée à un circuit de dérivation mis à la terre et protégé par un disjoncteur de 15 ou 20 A ou par un fusible à action différée.

- Le câblage électrique doit être constitué de 2 brins et d'une terre.
- Si l'alimentation électrique n'est pas conforme à ces exigences, appelez un électricien qualifié avant de commencer.
- Faites passer le câblage du domicile le plus près possible de l'emplacement de la hotte, soit dans le plafond soit dans le mur.
- Raccordez le câblage de la hotte au câblage du domicile conformément aux codes locaux.
- Le câblage du domicile doit avoir une longueur de 45 po à partir du bas du meuble de façon à pouvoir être branché au câblage de la hotte.

Instructions de mise à la terre

Le fil de mise à la terre doit être connecté à une partie métallique mise à la terre, à une borne de terre ou à un fil de sortie de la hotte.

⚠ AVERTISSEMENT :

Une connexion incorrecte de ce fil de terre pourrait provoquer un risque de choc électrique. Vérifiez auprès d'un électricien qualifié ou d'un représentant si vous n'êtes pas sûr que votre appareil soit correctement mis à la terre.

Planification

RACCORDS DE CONDUITS

Un conduit de section circulaire de 8 po de diamètre est nécessaire pour ces hottes. Ce conduit peut passer à un conduit de 3-1/4 po x 12 po.

Utilisez ce tableau pour calculer les longueurs maximales permises des conduits vers l'extérieur.

REMARQUE : Ne dépassez pas la longueur équivalente admissible!

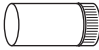
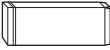


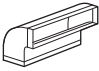
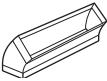

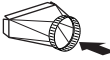
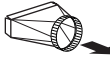
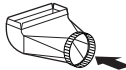
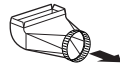
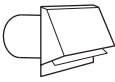
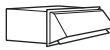

Longueur maximale de conduit : 100 pieds pour des hottes de cuisinières.

Conduit flexible :

Si vous utilisez des conduits métalliques flexibles, toutes les valeurs en pieds équivalents de ce tableau doivent être multipliées par deux. Le conduit métallique flexible doit être droit, lisse et aussi étiré que possible.

N'UTILISEZ PAS de conduit en plastique flexible.

REMARQUE : Tout système de ventilation domestique, tel qu'une hotte d'extraction, peut interférer avec le débit adéquat de l'air de combustion et d'évacuation des foyers de cheminée, des brûleurs à gaz, des chauffe-eau à gaz et de tout autre système à ventilation naturelle. Afin de minimiser les risques d'interruption de tels systèmes à ventilation naturelle, veuillez suivre les directives du fabricant de l'équipement de chauffage ainsi que les normes de sécurité publiées par la NFPA et l'ASHRAE.

Section de conduit	Dimensions	Longueur équivalente*	Quantité utilisée	Longueur équivalente totale
	Rond droit	1 pi. (par pied de longueur)		
	Droit de 3-1/4 po x 12 po	1 pi. (par pied de longueur)		
	Coude de 90°	17 pi.		
	Coude de 45°	10 pi.		
	Coude 90° 3-1/4 po x 12 po	43 pi.		
	Coude 45° 3-1/4 po x 12 po	26 pi.		
	Coude plat de 90° 3-1/4 po x 12 po	102 pi.		
	Raccord de section circulaire de 8 po à une section rectangulaire de 3-1/4 po x 12 po	2 pi.		
	Raccord de section rectangulaire de 3-1/4 po x 12 po à une section circulaire de 8 po	5 pi.		
	Raccord en coude de 90° d'une section circulaire de 8 po à une section rectangulaire de 3-1/4 po x 12 po	6 pi.		
	Raccord en coude de 90° d'une section rectangulaire de 3-1/4 po x 12 po à une section circulaire de 8 po	13 pi.		
	Event mural avec registre	32 pi.		
	Event mural rectangulaire 3-1/4 po x 12 po de avec registre	75 pi.		
	Event de toiture circulaire	44 pi.		

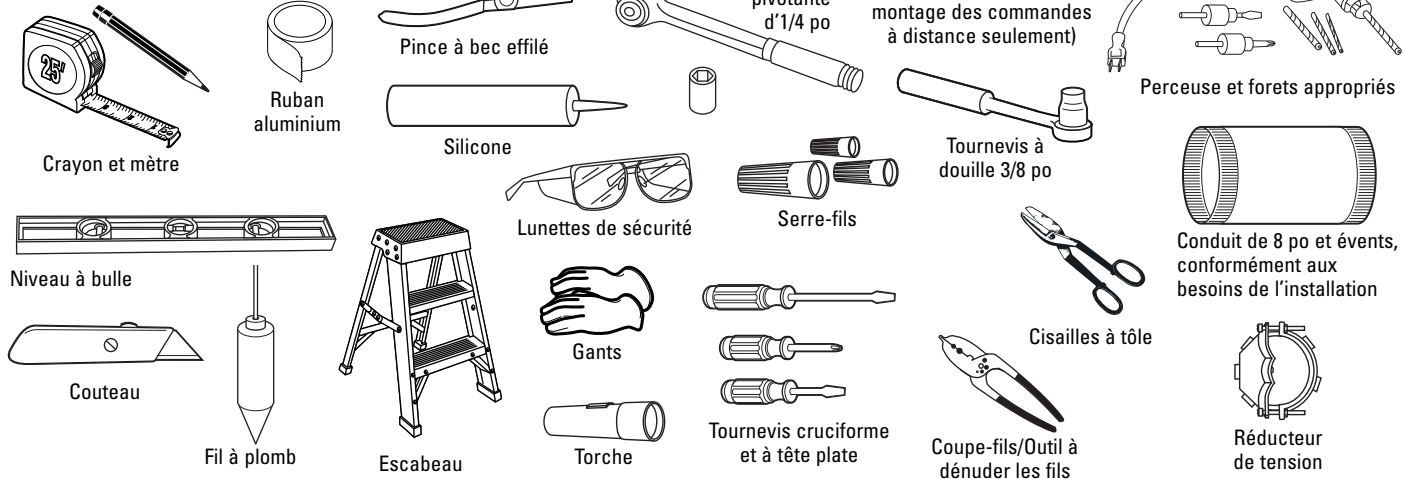
*Equivalent à la longueur réelle du conduit droit et du raccord. Les longueurs équivalentes des sections de conduit sont basées sur des essais réels effectués par GE Evaluation Engineering et représentent les longueurs nécessaires à une bonne ventilation pour tout type de hotte de ventilation.

Longueur totale de conduit _____

Préparation pour l'installation

OUTILS ET MATÉRIELS NÉCESSAIRES

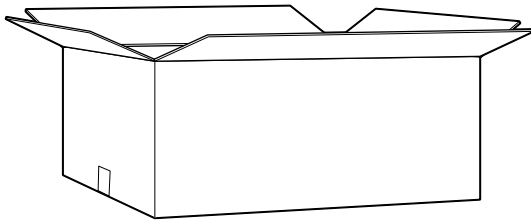
(NON FOURNIS)



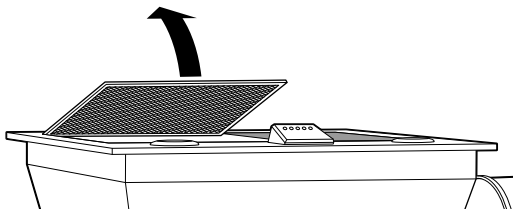
RETRAIT DE L'EMBALLAGE

⚠ MISE EN GARDE : Portez des gants pour vous protéger les mains des bords coupants.

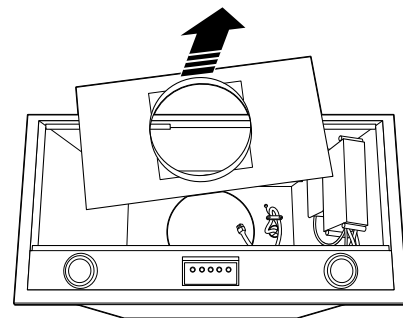
⚠ MISE EN GARDE : SORTEZ LA GAINÉ DE HOTTE ENCASTRABLE DE LA BOÎTE EN TENANT FERMEMENT LES CÔTÉS.



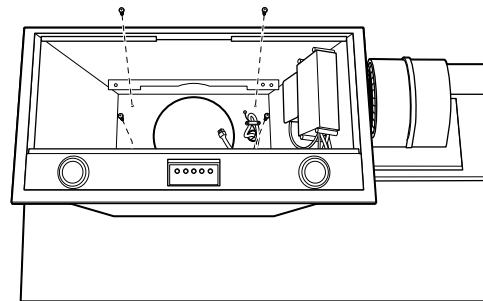
1. Ouvrez la boîte en carton de la hotte.
2. Sortez la doublure, la mousse et le carton.



3. Retirez le ruban maintenant les filtres à la gainé, levez les languettes et sortez les filtres.



4. Dévissez les 5 écrous maintenant l'assemblage de registre à guillotine d'évent et retirez-le de la gainé de hotte encastrable. Mettez de côté les 5 écrous et l'assemblage de registre d'évent, vous les réinstallerez plus tard dans le processus d'installation.



5. Retirez les vis fixant la gainé de hotte encastrable à la plaque de montage. Jetez les vis.
6. Attrapez la gainé par les bords extérieurs et tirez-la vers le haut pour la sortir du carton.
- REMARQUE :** Ne levez pas la gainé de hotte encastrable par le moteur du ventilateur.
7. Retirez et jetez d'une façon appropriée l'emballage en plastique.
8. Retirez la boîte contenant les pièces et le reste de l'emballage.

Préparation pour l'installation

PIÈCES FOURNIES

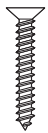
Localisez les pièces emballées avec la hotte.

VÉRIFICATION DU MATÉRIEL D'INSTALLATION

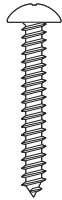
Comptez les vis/les éléments. Les vis sont présentées à leur taille actuelle.



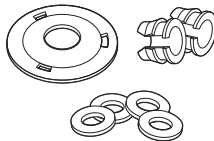
5 écrous pour l'assemblage du registre à guillotine (ne sont pas contenus dans le sac de quincaillerie - vous devez conserver les écrous lorsque vous retirez le registre à guillotine de la gaine lors du déballage de la hotte)



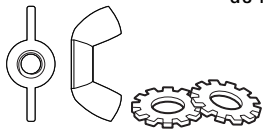
6 vis à bois pour la doublure de hotte



8 vis à bois pour la gaine de hotte



6 bouchons de cadre pour la gaine encastrable, 1 bouchon à trou pour le câble électrique du domicile, 2 passe-fils en caoutchouc et 4 rondelles pour gaine encastrable



2 écrous à oreilles avec rondelles freins pour le moteur du ventilateur

MONTAGE DES COMMANDES À DISTANCE (CÂBLÉES)

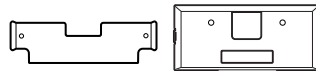


Cache pour l'ouverture des commandes à distance*

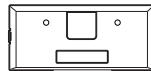
*REMARQUE : Ce cache doit être utilisé avec la hotte sur mesure lorsque les commandes sont installées à distance.



Support mural de commandes



Plaque de montage des commandes



Support de montage des commandes



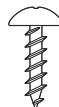
30 pieds d'un câble à 4 brins (à broches droites) équipé d'un connecteur/convertisseur
REMARQUE : Ne doit pas être utilisé pour les réseaux de télécommunications (téléphone).



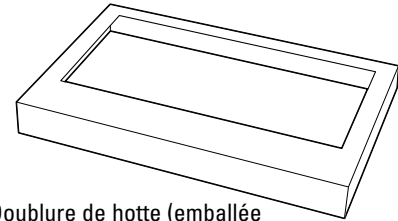
Connecteur/Convertisseur



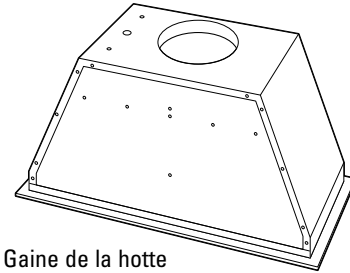
2 vis pour plaque de montage



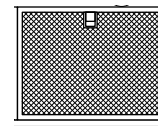
2 vis pour support mural



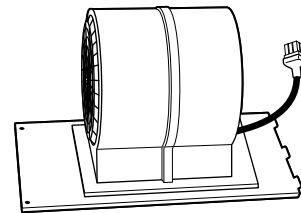
Doublure de hotte (emballée dans un carton séparé)



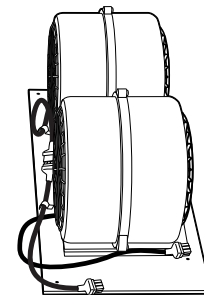
Gaine de la hotte



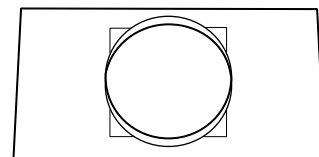
Filtres



Moteur de ventilateur (Modèles de largeur 30 et 36 po)



Moteur de ventilateurs jumelés (Modèles de largeur 42 et 48 po)



Registre à guillotine

Préparation du mur pour l'installation

EMPLACEMENT DES CONDUITS ET DU CÂBLAGE

Déterminez l'emplacement exact de la gaine de la hotte encastrable. Marquez l'emplacement exact de la ligne centrale.

La structure du plafond doit être capable de supporter le poids de la gaine à encastrer (environ 100 livres), l'habillage de la hotte, tout équipement de fixation ainsi que toutes charges dues à des contacts par inadvertance avec les utilisateurs.

- Mesurez du dessus de la surface de cuisson au bord inférieur de la gaine encastrable. Ajoutez la hauteur d'installation de la gaine encastrable. Marquez cet emplacement.
- Utilisez un niveau pour tracer une ligne droite horizontale au crayon sur le mur.

REMARQUE : Le conduit de ventilation du domicile doit descendre à 11-1/2 po au dessus du bord inférieur de la gaine de la hotte. L'emplacement du conduit de ventilation du domicile est important car ce dernier doit être aligné avec l'évent de l'assemblage du registre à guillotine.

Conduit de ventilation de plafond :

Si le conduit passe directement par le plafond :

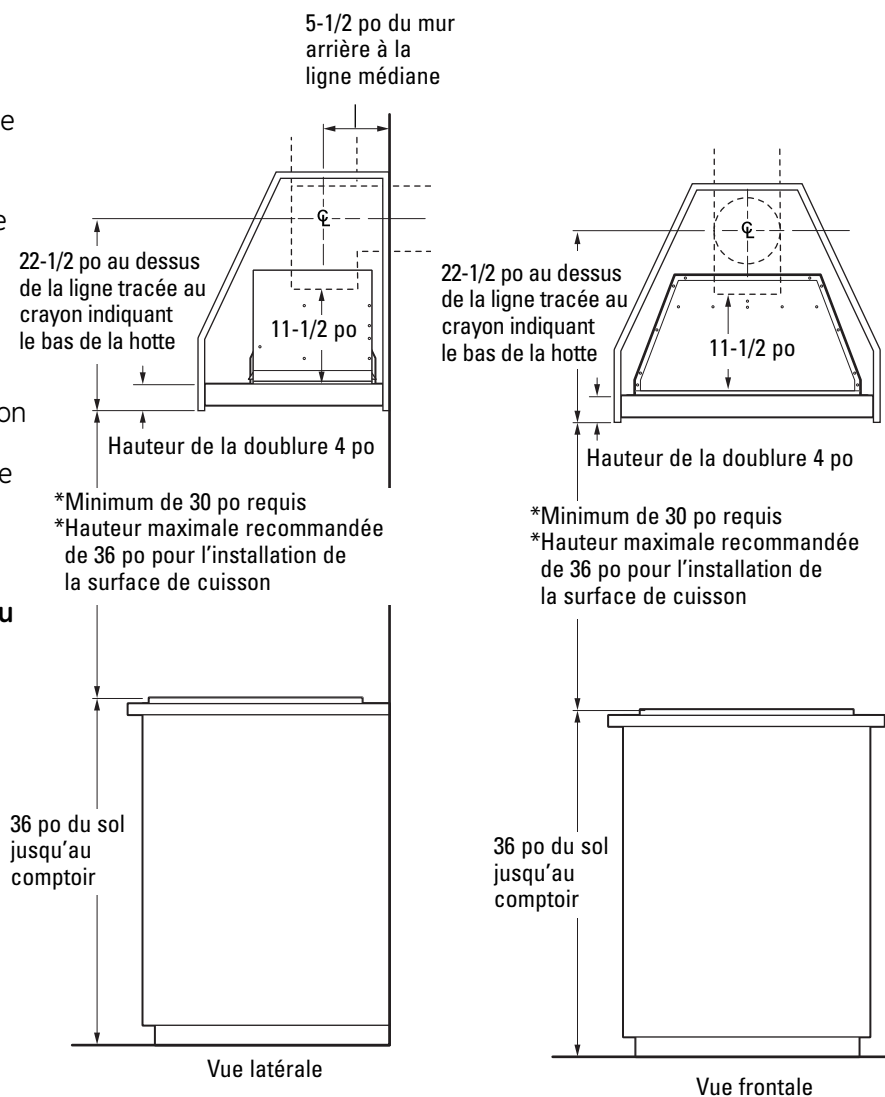
- Utilisez un niveau pour tracer une ligne droite médiane jusqu'au plafond.
- Au plafond, mesurez 5-1/2 po du mur arrière à la ligne médiane d'un trou de 8-1/2 po de diamètre.

Conduit mural : (Se référer à la remarque importante.) Si le conduit passe par le mur arrière :

- Utilisez un niveau pour tracer une ligne droite médiane jusqu'au plafond.
- Mesurez au moins 22-1/2 po au-dessus de la ligne au crayon indiquant la hauteur du bas de l'installation jusqu'à la ligne médiane d'un trou de 8-1/2 po de diamètre pour le passage d'un conduit. (Le trou peut être agrandi pour le passage d'un coude.)

EMPLACEMENT DU CÂBLAGE DU DOMICILE:

- La boîte de jonction est située à l'intérieur de la hotte sur le côté supérieur gauche.
- Le câblage du domicile doit sortir du mur du fond au moins 15 po au dessus du bas de la gaine de la hotte et à moins de 6 po sur le côté gauche de la ligne médiane.



*Veuillez toujours vous référer aux instructions d'installation de la surface de cuisson ou de la cuisinière pour connaître les dégagements nécessaires.

REMARQUE IMPORTANTE : Si vous envisagez de faire passer le conduit par le mur arrière et que la hauteur de plafond est de 8 pi, la hauteur maximale d'installation de la surface de cuisson sera de 33 po.

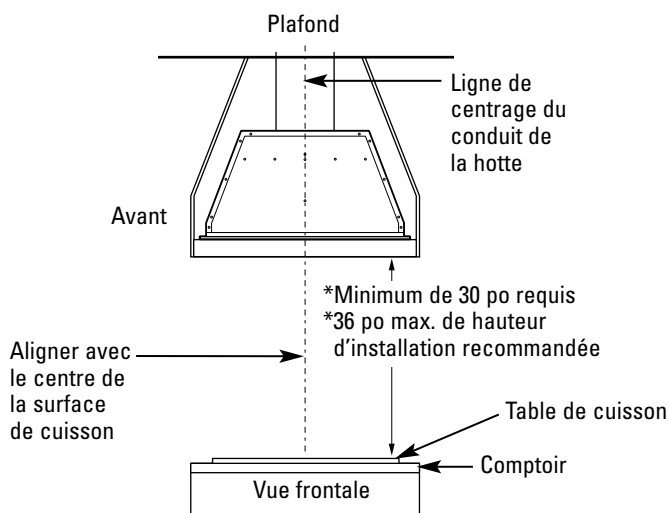
Préparation pour l'installation en îlot

CONSTRUCTION DU SUPPORT DE PLAFOND (pour une installation en îlot)

Prévoyez l'emplacement de la hotte et du conduit

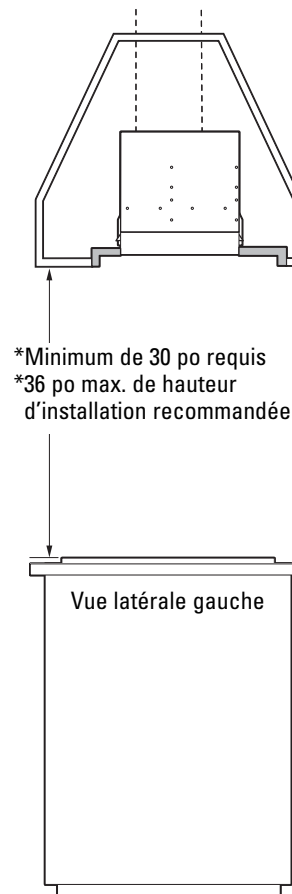
La structure du plafond doit être capable de supporter le poids de la gaine à encastrer (environ 100 livres), l'habillage de la hotte, tout équipement de fixation ainsi que toutes charges dues à des contacts par inadvertance avec les utilisateurs.

- Utilisez un fil à plomb pour vérifier l'emplacement. Le comptoir/surface de cuisson sous la gaine encastrable doit être centré avec la gaine.



*Veuillez toujours vous référer aux instructions d'installation de la surface de cuisson ou de la cuisinière pour connaître les dégagements nécessaires.

- La gaine encastrable à l'intérieur de l'habillage de la hotte doit être centrée de gauche à droite au-dessus de la surface de cuisson.



Le diagramme n'est pas à l'échelle

- Si vous le souhaitez, installez les commandes dans un emplacement à distance en utilisant les éléments de fixation fournis. Référez-vous aux pages suivantes pour des instructions détaillées de montage des commandes à distance.
- Référez-vous au paragraphe *Conduit au Plafond* à la page 34 pour l'installation du conduit.

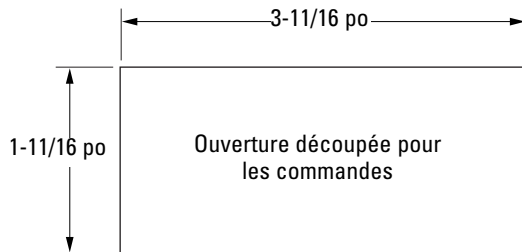
IMPORTANT: La sortie d'évacuation sur le haut de la gaine de la hotte n'est pas centrée, elle est positionnée plus près de l'arrière. Ainsi, la gaine de la hotte ne peut pas être positionnée à l'envers dans la hotte. Une doublure sur mesure, fabriquée par le fournisseur de meubles, est en général requise pour les installations en îlot.

REMARQUE : Il est recommandé d'acheter et de faire livrer la partie encastrable de la hotte avant de construire l'habillage de la hotte.

Préparation du mur pour l'installation

MONTAGE DES COMMANDES À DISTANCE (CÂBLÉES)

⚠ AVERTISSEMENT : Coupez l'alimentation électrique de l'appareil avant d'effectuer l'installation des commandes à distance. Le non-respect de ces règles peut entraîner des blessures corporelles ou des dommages aux commandes électriques.



POSITIONNEMENT DES COMMANDES À DISTANCE

REMARQUE : La hotte est certifiée pour une utilisation avec le câble fourni d'une longueur maximale de 30 pieds.

Les commandes peuvent être retirées de la hotte et installées sur un dossier ou un comptoir.

- Un cache est fourni pour couvrir l'ouverture dans la hotte où les commandes ont été retirées.
- Un câble à 4 brins d'une longueur de 30 pieds est fourni pour permettre d'effectuer la majorité des installations. Parce que seul un câble d'une longueur de 30 pieds est fourni, l'emplacement des commandes à distance doit être soigneusement réfléchi.
- Le câble de 30 pieds est équipé d'un connecteur/convertisseur à une des extrémités. **NE RETIREZ PAS** le connecteur/convertisseur du câble de 30 pieds. Si le connecteur/convertisseur n'est pas utilisé avec le câble plus court, les commandes ne fonctionneront pas correctement.

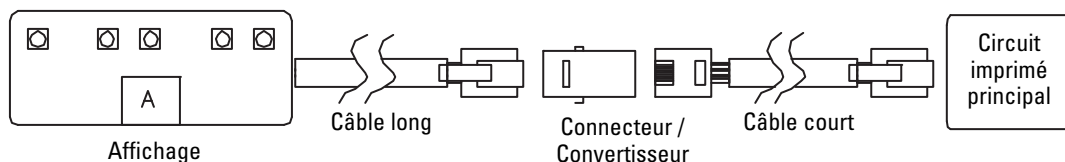
REMARQUE : Ne doit pas être utilisé pour les réseaux de télécommunications (téléphone).

- Le câble doit passer par les trous dans la gaine encastrable et les passe-fils en caoutchouc doivent être placés autour du câble.

REMARQUE : Pour les modèles ZVC30 et ZVC36, le câble doit être enfilé dans les trous de la gaine encastrable avant d'installer le registre.

- Faites passer le câble par le conduit pour atteindre l'emplacement d'installation des commandes.

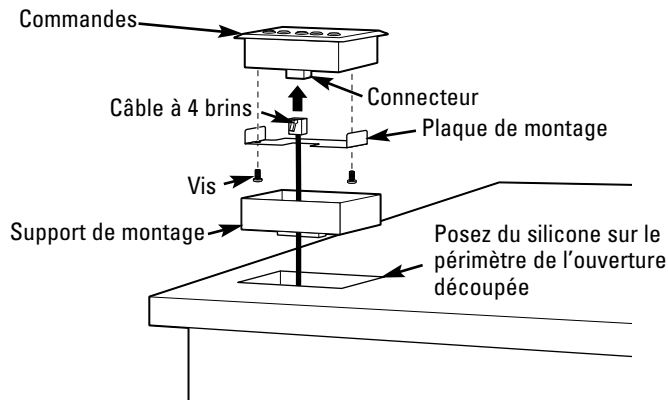
Commandes installées à distance – installation murale ou sur un comptoir



Préparation du mur pour l'installation

MONTAGE DES COMMANDES À DISTANCE – CÂBLÉES (Suite)

COMPTOIR

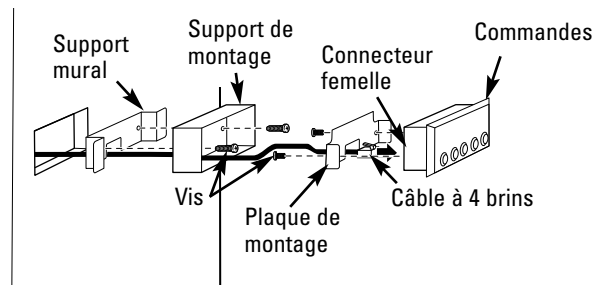


1. Découpez une ouverture dans le comptoir. Les dimensions de la partie découpée sont 1-11/16 po x 3-11/16 po.
2. Desserrez les 4 vis à serrage à main et retirez les commandes de la gaine. Remplacez les commandes par le cache fourni.
3. Fixez la plaque de montage au dos des commandes à l'aide de 2 vis.
4. Tirez le câble à 4 brins par l'ouverture dans le comptoir puis passez-le par l'arrière du support de montage.

REMARQUE : Utilisez UNIQUEMENT les câbles et connecteur/convertisseur fournis.

5. Branchez le câble à 4 brins au connecteur femelle sur les commandes installées à distance.
6. Appuyez fermement sur le boîtier de commande pour que les languettes s'accrochent sur le support de montage.
7. Posez du silicone sur le périmètre de l'ouverture découpée.
8. Insérez le boîtier de commande dans l'ouverture découpée.

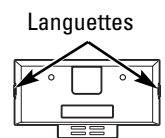
MONTAGE MURAL



1. Découpez une ouverture sur la surface du mur. Les dimensions de la partie découpée sont 1-11/16 po x 3-11/16 po.
2. Desserrez les 4 vis et retirez les commandes de la gaine. Remplacez les commandes par le cache fourni.
3. Fixez la plaque de montage au dos des commandes à l'aide de 2 vis.
4. Tirez le câble à 4 brins par l'ouverture dans le mur puis passez-le par le support mural et par l'arrière du support de montage.

REMARQUE : Utilisez UNIQUEMENT les câbles et connecteur/convertisseur fournis.

5. Fixez le support de montage au support mural à l'aide des deux vis de support mural. Vissez juste les premiers filetages des vis dans le mur, un espace entre les deux supports est nécessaire pour tenir compte de l'épaisseur du mur.
6. Remontez les languettes sur le support de montage pour que le support s'emboîte dans l'ouverture dans le mur.
7. Penchez les supports de montage et mural et glissez-les dans l'ouverture dans le mur.

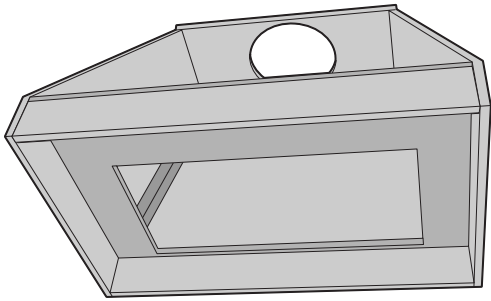


REMARQUE : Attachez une ficelle aux supports pour pouvoir les rattraper s'ils tombent derrière le mur.

8. Aplatissez les languettes sur le support de montage pour qu'elles soient de niveau avec le mur et serrez les vis du support mural pour ramener les brides du support mural de niveau avec la surface au dos du mur.
9. Branchez le câble à 4 brins au connecteur femelle sur les commandes installées à distance.
10. Appuyez fermement sur le boîtier de commande pour que les languettes s'accrochent sur le support de montage.

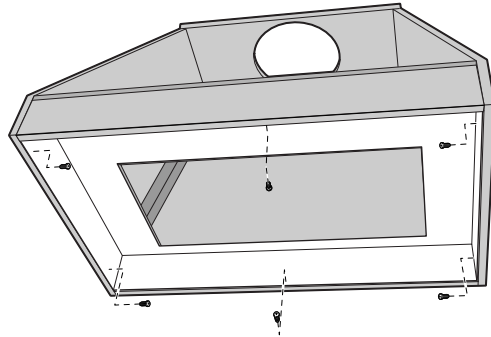
Instructions d'installation

ETAPE 1 INSTALLATION DE LA DOUBLURE DE LA HOTTE

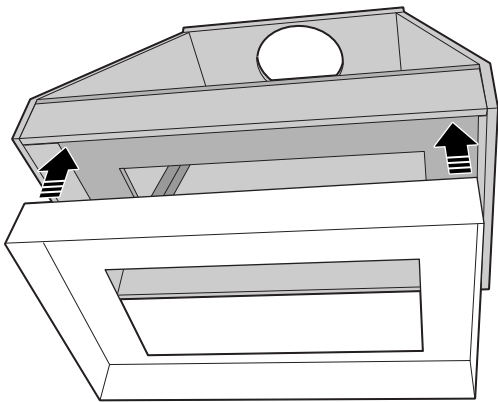


1. Encadrez l'ouverture découpée pour qu'elle s'adapte à la doublure.

REMARQUE : Le support en bois pour l'ouverture doit avoir une épaisseur de 3/4 po pour recevoir les vis d'installation de la doublure.



3. Fixez la doublure au meuble à l'aide des 6 vis fournies.



2. Faites glisser la doublure dans l'ouverture jusqu'à ce qu'elle soit de niveau avec les bords inférieurs.

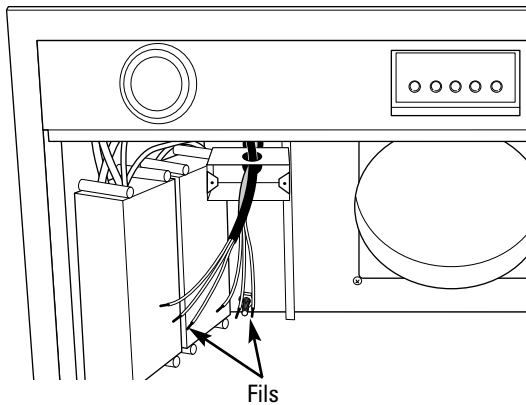
Instructions d'installation

ETAPE 2 BRANCHEMENT ÉLECTRIQUE

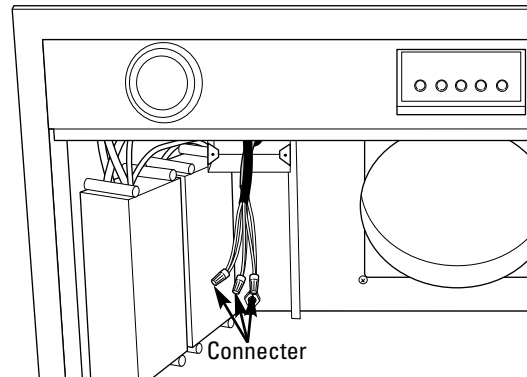
Vérifiez que l'alimentation électrique est coupée à la source.

⚠ AVERTISSEMENT : Si le câblage électrique du domicile est différent d'un système à deux fils et à un fil de terre, un électricien devra convertir le système existant pour respecter ces spécifications. Si les fils sont en aluminium, prenez soin d'utiliser des connecteurs conçus pour le raccordement du cuivre à l'aluminium avec une pâte antioxydante approuvée par l'UL.

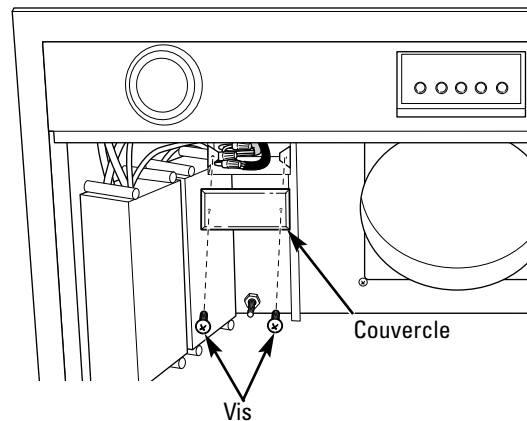
1. Placez la gaine sur une surface rembourrée mais stable, en dessous de l'ouverture (vous pouvez utiliser du carton aplati comme surface de rembourrage).
2. Retirez le couvercle de la boîte de jonction.



3. Tirez les fils de la maison à travers la paroi de la gaine et fixez les réducteurs de tension. Faites passer les fils de la maison par la boîte de jonction.



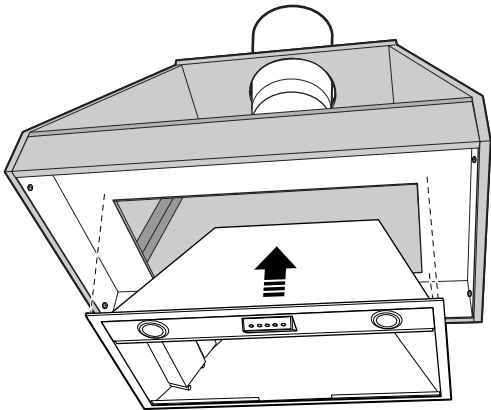
4. Connectez le câble blanc au câble blanc du circuit de dérivation.
5. Connectez le câble noir au câble noir du circuit de dérivation.
6. Connectez le câble vert/jaune au câble vert du circuit de dérivation.
7. Fixez toutes les connections à l'aide de serre-fils sur chaque connecteur électrique.



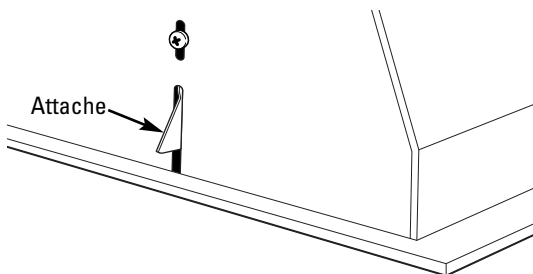
8. Poussez doucement les fils dans la boîte de jonction et remettez le couvercle.
9. Fixez la boîte de jonction avec les vis d'origine.

Instructions d'installation

ETAPE 3 INSTALLATION DE LA GAINE DE HOTTE ENCASTRABLE

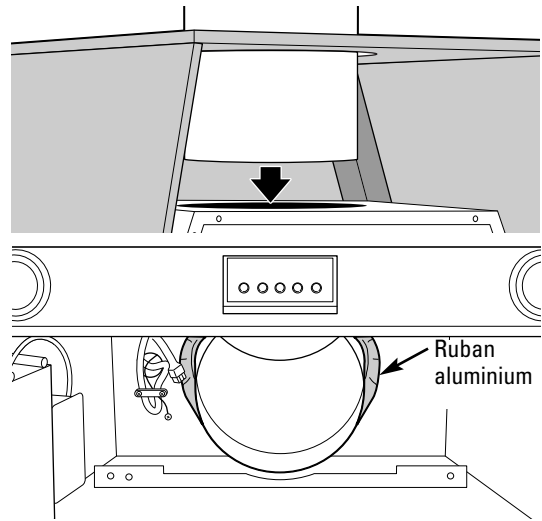


1. Faites glisser le câblage de la maison hors de portée.
2. Installez la gaine dans l'ouverture découpée dans le cadre du meuble sur mesure.



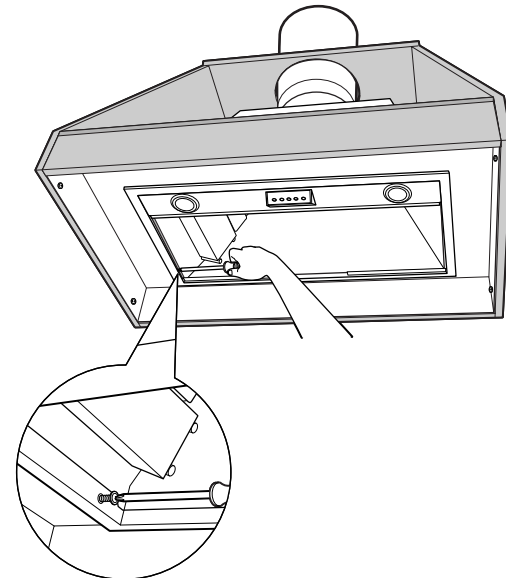
3. Poussez la gaine vers le haut à travers l'ouverture jusqu'à que les attaches autobloquantes temporaires se fixent. Les attaches autobloquantes sont conçues pour maintenir la gaine encastrable en place jusqu'à ce qu'elle soit fixée à l'aide de vis.

REMARQUE : Les attaches autobloquantes ne sont pas conçues pour supporter le poids total de la gaine encastrable. Ne laissez pas la gaine encastrable sans supervision sans que les vis soient mises.



4. Alignez le conduit de 8 po avec l'ouverture de ventilation de la gaine encastrable et fermez avec du ruban en aluminium.

REMARQUE : Le conduit de ventilation du domicile doit descendre à 11-1/2 po au dessus du bord inférieur de la gaine de la hotte ou du bas de la base de 3/4 po du meuble.

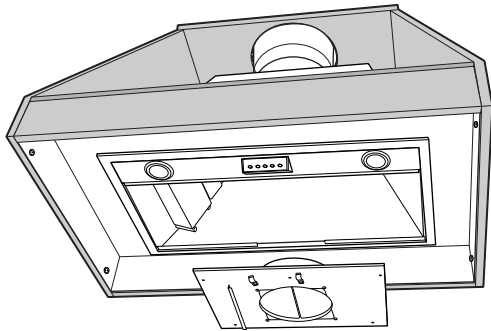


5. Fixez avec du ruban adhésif les 4 rondelles sur l'extérieur des 4 trous à l'avant et à l'arrière de la gaine encastrable. Les rondelles sont conçues pour être placées entre la gaine encastrable et la surface des meubles d'une épaisseur de 3/4 po.
6. Appuyez fermement sur la doublure et fixez-la à l'aide des 8 vis fournies. La gaine encastrable doit être de niveau avec la doublure et aucun espace ne doit être visible.

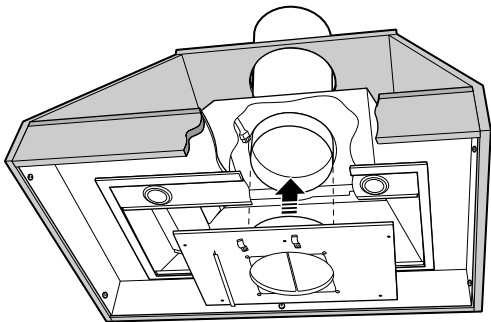
REMARQUE : Il est IMPORTANT d'installer des vis de montage avant. Le trou pour la vis avant est difficile à voir et vous aurez peut-être besoin de passer la tête dans l'ouverture pour le localiser.

Instructions d'installation

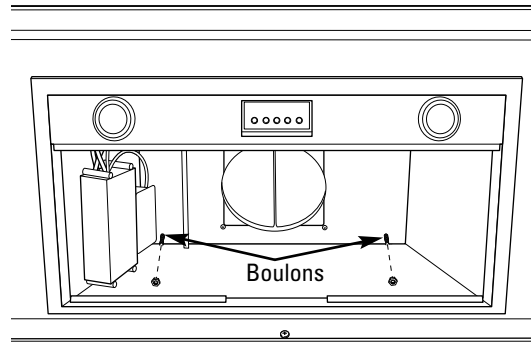
ETAPE 4 INSTALLATION DU REGISTRE À GUILLOTINE



1. Prenez le registre à guillotine et tournez-le de façon à avoir le côté évent vers le haut avec le support sur la gauche lorsque vous faites face à la hotte.



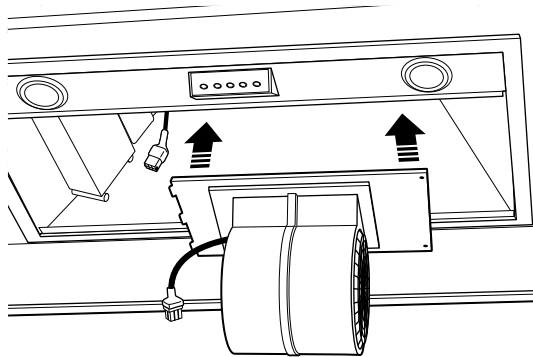
2. Insérez l'assemblage du registre à guillotine dans la gaine et alignez-le soigneusement avec le conduit de 8 po du domicile.



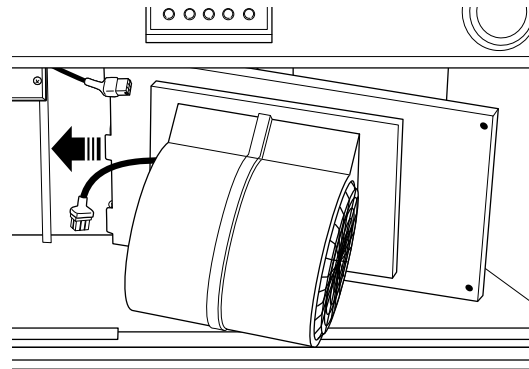
3. Fixez l'assemblage du registre à guillotine en plaçant les écrous sur les boulons et en les serrant à l'aide d'une douille ou d'une clé.

Instructions d'installation

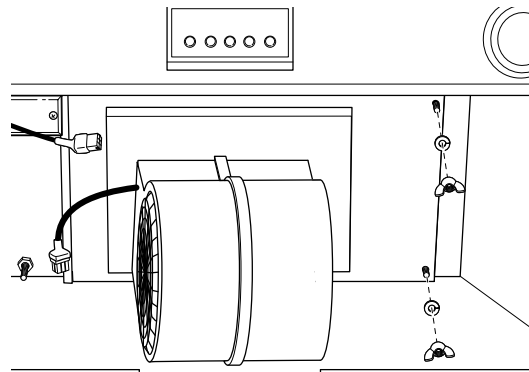
ETAPE 5 INSTALLATION DES MOTEURS DE VENTILATEURS



1. Prenez le moteur du ventilateur et faites-le tourner de façon à avoir les languettes alignées avec le support du registre à guillotine.
2. Insérez le moteur du ventilateur dans la gaine encastrable par l'ouverture découpée dans le cadre du meuble sur mesure.



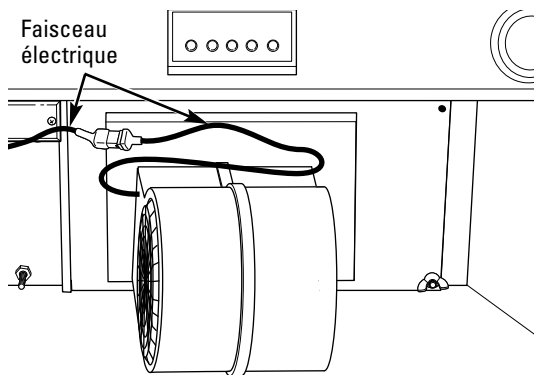
3. Placez le moteur du ventilateur sur l'assemblage du registre à guillotine en faisant glisser les languettes du moteur de ventilateur dans les fentes de l'assemblage du registre à guillotine.



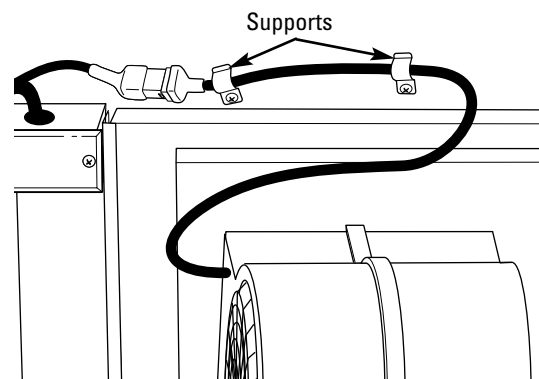
4. Tout en maintenant le moteur du ventilateur en place, levez le côté droit pour que les trous pour boulons du moteur de ventilateur soient alignés avec les boulons dépassant de l'assemblage du registre à guillotine, puis fixez le système à l'aide des rondelles frein et des écrous à oreilles (serrés à la main).

ETAPE 6 CONNEXION DU FAISCEAU ÉLECTRIQUE

REMARQUE : Connectez les trois attaches et les deux faisceaux électriques pour les modèles à ventilateurs jumelés.



1. Localisez les deux extrémités du faisceau électrique.
2. Branchez le faisceau électrique en insérant la fiche mâle dans une prise femelle.

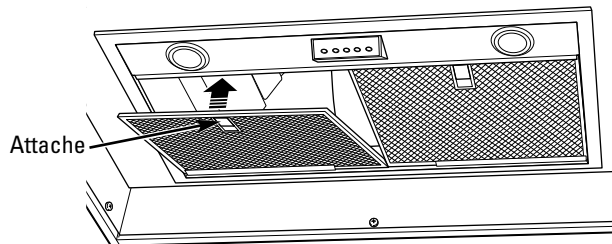


3. Faites passer doucement le faisceau électrique et le fil de terre par les attaches fixées à la plaque du ventilateur.

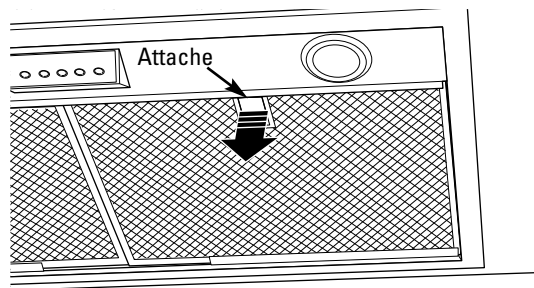
Instructions d'installation

ETAPE 7 INSTALLATION DES FILTRES

1. Retirez le film protecteur des filtres.



2. Enfilez l'arrière du filtre dans les fentes puis poussez le filtre vers le haut. Tout en maintenant la pression vers l'arrière, ouvrez l'attache et encastrez le filtre en poussant avec les deux mains.



3. Pour le retirer, maintenez le filtre avec une main tout en tirant l'attache vers le bas avec l'autre main.

ETAPE 8 FINALISATION DE L'INSTALLATION

1. Vérifiez que tout ruban adhésif ainsi que tous les emballages ont été retirés.
2. Référez-vous au Manuel d'Utilisation pour les instructions d'utilisation.

Notes

Instrucciones de instalación



ANTES DE COMENZAR

● Lea estas instrucciones por completo y con detenimiento.

- **IMPORTANTE** – Guarde estas instrucciones para el uso de inspectores locales.
- **IMPORTANTE** – Cumpla con todos los códigos y ordenanzas vigentes.
- **Nota al instalador** – Asegúrese de dejar estas instrucciones con el Consumidor.
- **Nota al consumidor** – Conserve estas instrucciones para referencia futura.
- **Nivel de capacidad** – La instalación de esta campana de ventilación requiere capacidades mecánicas y eléctricas básicas.
- **Tiempo de finalización** – de 1 a 3 horas.
- El instalador tiene la responsabilidad de efectuar una instalación adecuada.
- La Garantía no cubre las fallas del producto debido a una instalación incorrecta.

Para servicio técnico local Monogram en su área, llame al 1.800.444.1845.

Para servicio técnico Monogram en Canadá, llame al 1.800.561.3344.

Para piezas y accesorios Monogram, llame al 1.800.626.2002.

⚠ PRECAUCIÓN:

Debido al peso y tamaño de estas campanas de ventilación y para reducir el riesgo de lesiones personales o daños al producto, **SE NECESITAN DOS PERSONAS PARA REALIZAR UNA INSTALACIÓN CORRECTA.**

⚠ ADVERTENCIA:

Para reducir el riesgo de incendio o descarga eléctrica, no utilice esta campana para estufa con ningún dispositivo de control de velocidad externo de estado sólido. Cualquier clase de modificación del cableado original de fábrica podría provocar daños a la unidad y/o crear un peligro de seguridad eléctrico.

PARA REDUCIR EL RIESGO DE INCENDIO, SÓLO UTILICE CONDUCTOS DE METAL.

⚠ ADVERTENCIA: PARA REDUCIR EL RIESGO DE INCENDIO, DESCARGA ELÉCTRICA O LESIONES A PERSONAS, CUMPLA CON LOS SIGUIENTES PUNTOS:

- A. Utilice esta unidad sólo de la manera concebida por el fabricante. Si tiene alguna pregunta, comuníquese con el fabricante.
- B. Antes de realizar reparaciones o limpiar la unidad, desconecte la energía del panel de servicio y bloquee los medios de desconexión para evitar el accionamiento de la energía de manera accidental. Cuando los medios de desconexión de servicio no pueden bloquearse, coloque sobre el panel de servicio un dispositivo de advertencia bien visible, como una etiqueta.

⚠ **PRECAUCIÓN:** Sólo para uso de ventilación general. No lo utilice para ventilar materiales o vapores peligrosos o explosivos.

⚠ ADVERTENCIA: PARA REDUCIR EL RIESGO DE INCENDIO, DESCARGA ELÉCTRICA O LESIONES A PERSONAS, CUMPLA CON LOS SIGUIENTES PUNTOS:

- A. El trabajo de instalación y el cableado eléctrico deben realizarlo personas calificadas en cumplimiento con todos los códigos y normas aplicables, incluyendo construcción con clasificación para incendios.
- B. Se necesita suficiente aire para una combustión y escape de gases adecuados a través de la ventilación (chimenea) de equipamiento de combustión de combustible para evitar la contracorriente. Siga las pautas y normas de seguridad de fabricante del equipamiento de calefacción, tales como las publicadas por la Asociación Nacional de Protección contra Incendios (NFPA), la Sociedad Estadounidense de Ingenieros en Calefacción, Refrigeración y Aire Acondicionado (ASHRAE) y las autoridades de códigos locales.
- C. Cuando realice cortes o perforaciones dentro de paredes o cielorrasos, no dañe el cableado eléctrico y otros servicios públicos ocultos.
- D. Los sistemas de conductos siempre deben contar con una salida al exterior.
 - Los códigos locales pueden variar. La instalación de conexiones eléctricas y a tierra debe cumplir con los códigos aplicables. Si no existieran códigos locales, la ventilación deberá instalarse en cumplimiento con el Código Eléctrico Nacional ANSI/NFPA 70-1990 o la última edición.

Instrucciones de instalación

▲ PRECAUCIÓN: Para reducir el riesgo de incendio y para eliminar el aire de escape correctamente, asegúrese de enviar el aire del conducto hacia el exterior. No ventile el aire de escape en espacios dentro de paredes o cielorrasos o en áticos, huecos sanitarios o garajes.

▲ ADVERTENCIA: PARA REDUCIR EL RIESGO DE UN INCENDIO DE GRASA SOBRE UNA ESTUFA:

- A. Nunca deje unidades de superficie desatendidas en configuraciones de calor elevadas. Los alimentos que hierven y se derraman provocan humo y derrames grasosos que pueden prenderse fuego. Caliente los aceites lentamente en configuraciones bajas o medias.
- B. Siempre encienda (ON) la campana cuando cocine con configuraciones elevadas o cuando flambee alimentos (por ej., Crepes Suzette, cerezas Jubilee, carne flambeada a la pimienta en grano).
- C. Limpie los ventiladores con frecuencia. No debe permitirse la acumulación de grasa en el ventilador o en el filtro.
- D. Utilice el tamaño de recipiente adecuado. Siempre utilice recipientes de cocción apropiados para el tamaño del elemento de superficie.

▲ ADVERTENCIA: PARA REDUCIR EL RIESGO DE LESIONES A PERSONAS EN CASO DE UN INCENDIO DE GRASA SOBRE UNA ESTUFA, CUMPLA CON LOS SIGUIENTES PUNTOS^a:

- A. APAGUE LAS LLAMAS con una tapa que ajuste bien, una plancha para galletas o bandeja de metal, y luego apague el quemador. TENGA CUIDADO A FIN DE EVITAR QUEMADURAS. Si las llamas no se apagan de inmediato, SALGA DE LA VIVIENDA Y LLAME AL DEPARTAMENTO DE BOMBEROS.
- B. NUNCA LEVANTE UNA SARTÉN EN LLAMAS—Usted puede quemarse.
- C. NO UTILICE AGUA, incluyendo repasadores o toallas húmedos – se provocará una violenta explosión de vapor.
- D. Utilice un extintor SÓLO si:
 - 1) Usted cuenta con un extintor Clase ABC y ya sabe cómo utilizarlo.
 - 2) El incendio es pequeño y se contuvo en el área donde comenzó.
 - 3) Se está llamando al departamento de bomberos.
 - 4) Usted puede combatir el incendio con su espalda apuntando hacia una salida.

^aBasado en "Consejos de seguridad sobre incendio en la cocina" publicado por NFPA.

Información de diseño

CONTENIDOS

Información de diseño

Espacios del producto	47
Dimensiones del producto	48-51

Planificación previa

Planificación previa	52
Montaje remoto del control (con cables)	52
Fuente de energía	52
Accesorios para conductos	53

Preparación para la instalación

Herramientas y materiales requeridos	54
Quite el envoltorio	54
Piezas provistas	55
Ubicación de los conductos y cableado	56
Construya el soporte del cielorraso	57
Montaje remoto del control - con cables	58, 59

Instrucciones de instalación

Paso 1, Instale el revestimiento de la campana	60
Paso 2, Conecte las piezas eléctricas	61
Paso 3, Instale la funda del encastre	62
Paso 4, Instale la placa del regulador de tiro	63
Paso 5, Instale el motor del ventilador	64
Paso 6, Conecte el arnés de cableado	64
Paso 7, Instale los filtros	65
Paso 8, Finalice la instalación	65

ESPACIOS DEL PRODUCTO

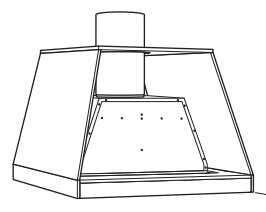
La campana de ventilación y el montaje de revestimiento deben instalarse a un mínimo de 30" y un máximo de 36" sobre la superficie de cocción.

- Siempre consulte las instrucciones de instalación de la estufa o cocina en relación a los espacios específicos del producto.

NOTA: La altura de instalación debe medirse desde la superficie de cocción hasta el lado inferior del revestimiento de la campana de metal o la superficie del gabinete.

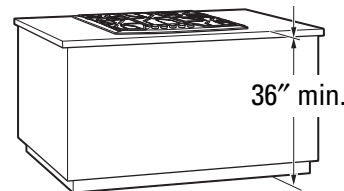
NOTA: UL requiere que cualquier superficie combustible se halle a un mínimo de 30" sobre la superficie de cocción.

- Esta campana debe ventilarse hacia el exterior.
- Esta campana puede montarse sobre una pared o instalarse sobre una isla.
- Esta campana puede instalarse sobre cualquier estufa Monogram eléctrica/a gas o estufa o cocina Monogram Professional de un ancho equivalente.



*30" mínimo requerido

*36" máximo recomendado



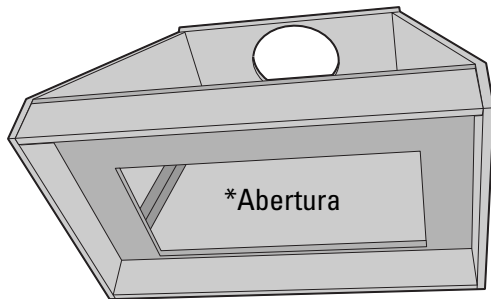
36" min.

***NOTA:** La ventilación de escape en la pared trasera puede afectar la altura de instalación. Ver página 56.

Design Information

DIMENSIONES DEL PRODUCTO

ZVC30

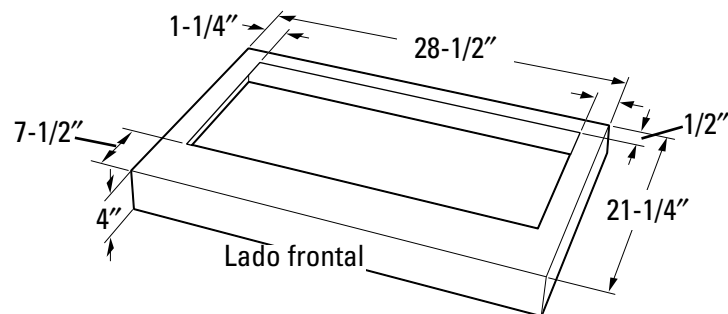


La cubierta a medida debe medirse para comprobar que entre en la funda del encastre.

Construya la cubierta con una abertura de: **26" de ancho x 13-3/16" de profundidad**

La abertura debe estar construida con un material de 3/4" de ancho para permitir que los ganchos de sujeción de la funda puedan fijarse.

El revestimiento provisto



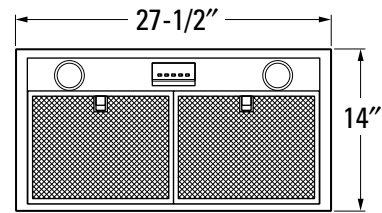
Se envía un revestimiento de acero inoxidable con cada encastre de campana. Este revestimiento no combustible protege el lado inferior de la cubierta.

Revestimiento a medida

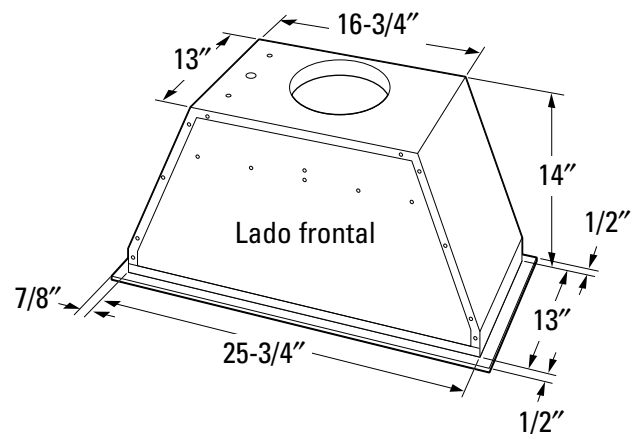
Si no utiliza el revestimiento provisto, puede construirse un revestimiento no combustible a medida. Utilice el revestimiento provisto como plantilla. **La abertura debe ser de 26" de ancho x 13-3/16" de profundidad.** Un material de un ancho de 3/4" debe rodear la abertura para permitir que los ganchos de sujeción queden ajustados. La funda del encastre dentro del gabinete debe colocarse a 1/2" de la pared trasera de modo que el centro del conducto de 8" se encuentre a 5 1/2" de la pared trasera.

Dimensiones y especificaciones (en pulgadas)

Dimensiones externas



La funda del encastre

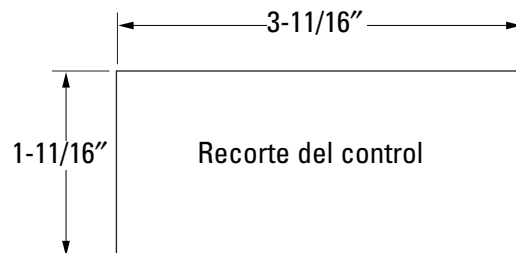


El lado inferior de la funda del encastre cuenta con una brida de 7/8" de ancho en los lados y una brida de 1/2" de ancho en el frente y parte trasera.

Ubicación remota del control

El control puede quitarse de la campana e instalarse en una pared o mostrador de encimera. Se provee un cable de una longitud de 30 pies para poder utilizarse en la mayoría de las instalaciones. Una placa ciega cubre la abertura cuando los controles se quitan.

El tamaño total del control es de 4-1/4" de ancho y 2-1/4" de profundidad.

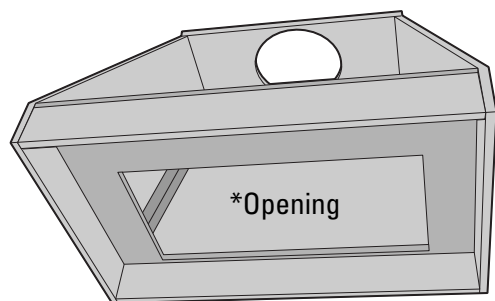


Recomendamos realizar la abertura en granito u otra superficie dura antes de instalar el mostrador de encimera.

Información de diseño

DIMENSIONES DEL PRODUCTO

ZVC36



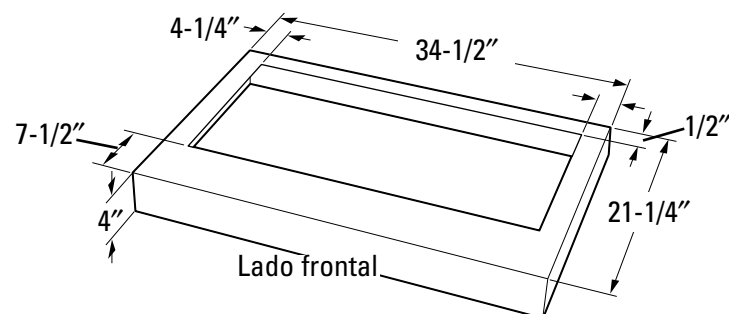
La cubierta a medida debe medirse para comprobar que entre en la funda del encastre.

Construya la cubierta con una abertura de:

26" de ancho x 13-3/16" de profundidad

La abertura debe estar construida con un material de 3/4" de ancho para permitir que los ganchos de sujeción de la funda puedan fijarse.

El revestimiento provisto



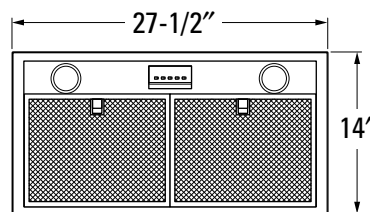
Se envía un revestimiento de acero inoxidable con cada encastre de campana. Este revestimiento no combustible protege el lado inferior de la cubierta.

Revestimiento a medida

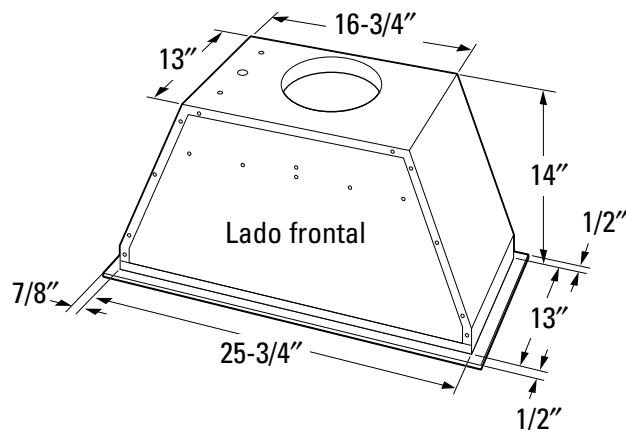
Si no utiliza el revestimiento provisto, puede construirse un revestimiento no combustible a medida. Utilice el revestimiento provisto como plantilla. **La abertura debe ser de 26" de ancho x 13-3/16" de profundidad.** Un material de un ancho de 3/4" debe rodear la abertura para permitir que los ganchos de sujeción puedan fijarse. La funda del encastre dentro del gabinete debe colocarse a 1/2" de la pared trasera de modo que el centro del conducto de 8" se encuentre a 5-1/2" de la pared trasera.

Dimensiones y especificaciones (en pulgadas)

Dimensiones externas



La funda del encastre

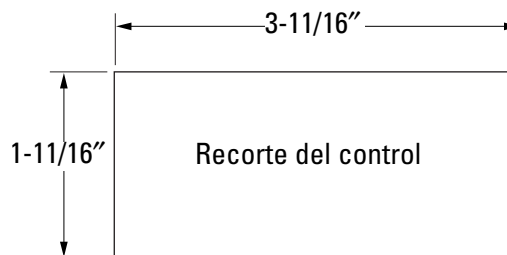


El lado inferior de la funda del encastre cuenta con una brida de 7/8" de ancho en los lados y una brida de 1/2" de ancho en el frente y parte trasera.

Ubicación remota del control

El control puede quitarse de la campana e instalarse en una pared o mostrador de encimera. Se provee un cable de una longitud de 30 pies para poder utilizarse en la mayoría de las instalaciones. Una placa ciega cubre la abertura cuando los controles se quitan.

El tamaño total del control es de 4-1/4" de ancho y 2-1/4" de profundidad.

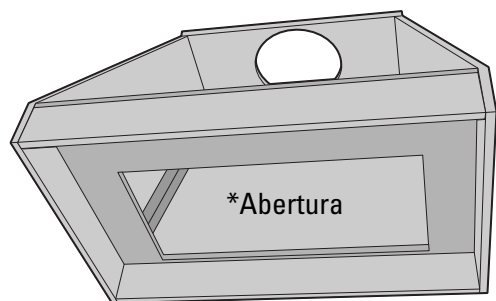


Recomendamos realizar la abertura en granito u otra superficie dura antes de instalar el mostrador de encimera.

Información de diseño

DIMENSIONES DEL PRODUCTO

ZVC42

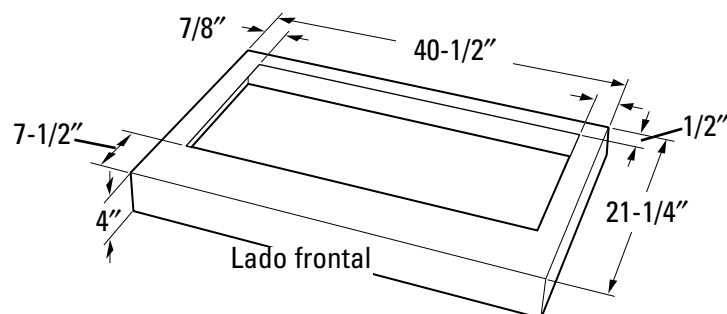


La cubierta a medida debe medirse para comprobar que entre en la funda del encastre.

Construya la cubierta con una abertura de: **38-3/4" de ancho x 13-3/16" de profundidad**

La abertura debe estar construida con un material de 3/4" de ancho para permitir que los ganchos de sujeción de la funda puedan fijarse.

El revestimiento provisto



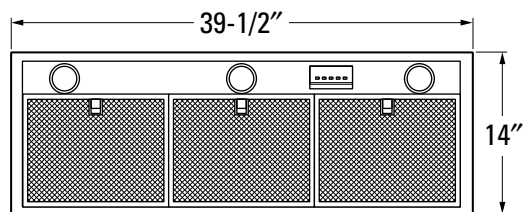
Se envía un revestimiento de acero inoxidable con cada encastre de campana. Este revestimiento no combustible protege el lado inferior de la cubierta.

Revestimiento a medida

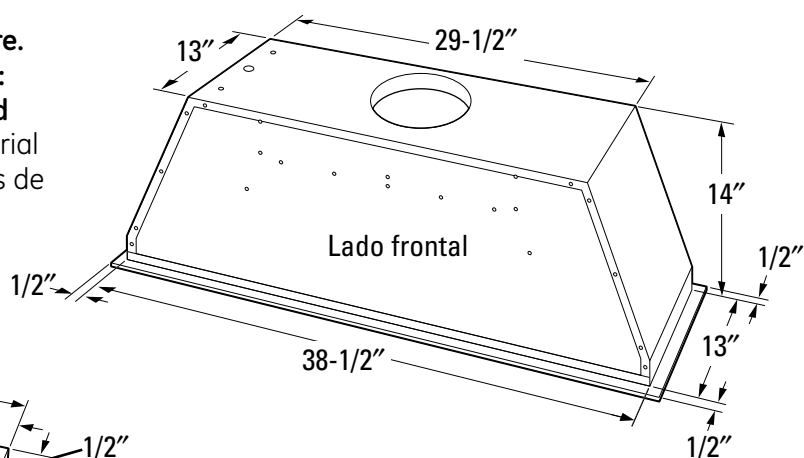
Si no utiliza el revestimiento provisto, puede construirse un revestimiento no combustible a medida. Utilice el revestimiento provisto como plantilla. **La abertura debe ser de 38 3/4" de ancho x 13-3/16" de profundidad.** Un material de un ancho de 3/4" debe rodear la abertura para permitir que los ganchos de sujeción puedan fijarse. La funda del encastre dentro del gabinete debe colocarse a 1/2" de la pared trasera de modo que el centro del conducto de 8" se encuentre a 5-1/2" de la pared trasera.

Dimensiones y especificaciones (en pulgadas)

Dimensiones externas



La funda del encastre

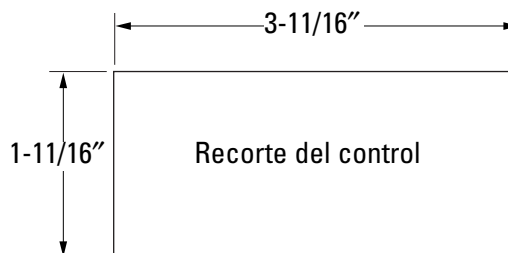


Una brida de 1/2" de ancho rodea el lado exterior de la funda del encastre.

Ubicación remota del control

El control puede quitarse de la campana e instalarse en una pared o mostrador de encimera. Se provee un cable de una longitud de 30 pies para poder utilizarse en la mayoría de las instalaciones. Una placa ciega cubre la abertura cuando los controles se quitan.

El tamaño total del control es de 4-1/4" de ancho y 2-1/4" de profundidad.

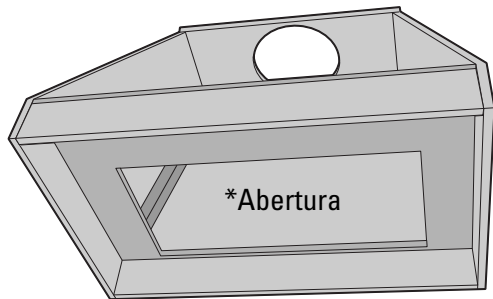


Recomendamos realizar la abertura en granito u otra superficie dura antes de instalar el mostrador de encimera.

Información de diseño

DIMENSIONES DEL PRODUCTO

ZVC48

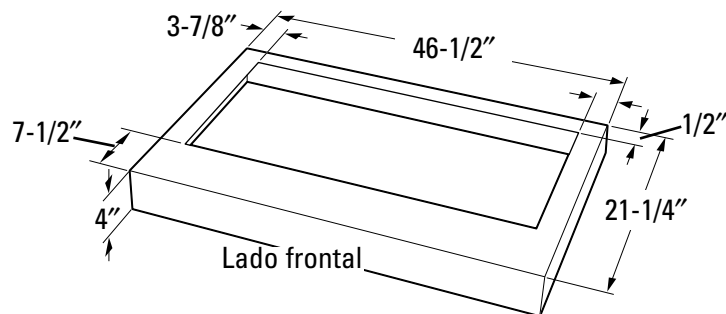


La cubierta a medida debe medirse para comprobar que entre en la funda del encastre.

Construya la cubierta con una apertura de: **38 3/4" de ancho x 13-3/16" de profundidad**

La apertura debe estar construida con un material de 3/4" de ancho para permitir que los ganchos de sujeción de la funda puedan fijarse.

El revestimiento provisto



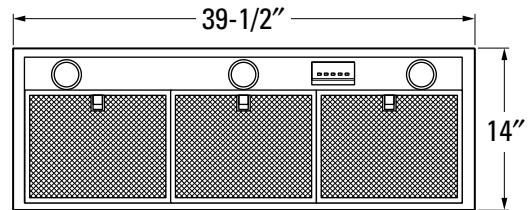
Se envía un revestimiento de acero inoxidable con cada encastre de campana. Este revestimiento no combustible protege el lado inferior de la cubierta.

Revestimiento a medida

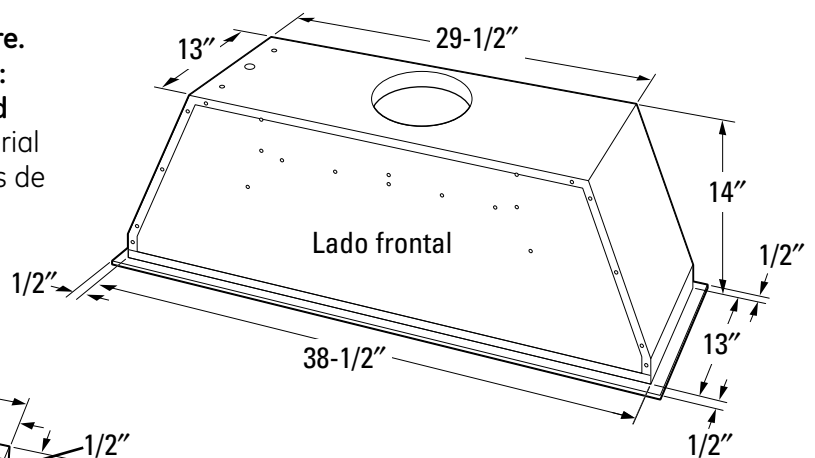
Si no utiliza el revestimiento provisto, puede construirse un revestimiento no combustible a medida. Utilice el revestimiento provisto como plantilla. **La apertura debe ser de 38-3/4" de ancho x 13-3/16" de profundidad.** Un material de un ancho de 3/4" debe rodear la apertura para permitir que los ganchos de sujeción puedan fijarse. La funda del encastre dentro del gabinete debe colocarse a 1/2" de la pared trasera de modo que el centro del conducto de 8" se encuentre a 5-1/2" de la pared trasera.

Dimensiones y especificaciones (en pulgadas)

Dimensiones externas



La funda del encastre

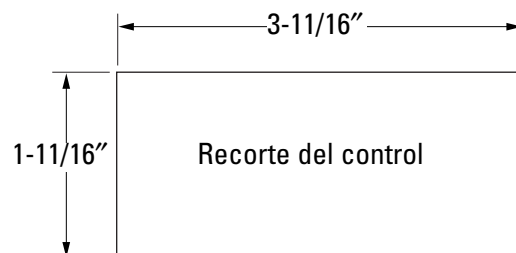


Una brida de 1/2" de ancho rodea el lado exterior de la funda del encastre.

Ubicación remota del control

El control puede quitarse de la campana e instalarse en una pared o mostrador de encimera. Se provee un cable de una longitud de 30 pies para poder utilizarse en la mayoría de las instalaciones. Una placa ciega cubre la apertura cuando los controles se quitan.

El tamaño total del control es de 4-1/4" de ancho y 2-1/4" de profundidad.



Recomendamos realizar la apertura en granito u otra superficie dura antes de instalar el mostrador de encimera.

Planificación previa

Planificación previa

Planificación de conductos

- Esta campana se encuentra equipada con un conducto redondo de 8”.
- Determine la ubicación exacta de la campana de ventilación.
- Planifique el recorrido de la salida de ventilación hacia el exterior. Esta campana no está diseñada para una operación de recirculación de aire.
- Utilice el recorrido de conductos más corto y más recto posible. Para un desempeño satisfactorio, el recorrido de los conductos no debe superar una longitud equivalente a los 100 pies para ninguna configuración de conductos.
- Consulte la tabla “Accesorios de conductos” para calcular la longitud máxima permisible para recorridos de conductos hacia el exterior.
- Utilice sólo conductos de metal rígidos.
- Instale una cubierta de pared con un regulador de tiro o casquete de techo en la abertura exterior. Solicite por adelantado la cubierta y cualquier clase de transición necesaria.

Armazones de pared y de cielorraso para un soporte adecuado

Esta campana de ventilación es pesada y la estructura del gabinete debe soportar el peso de la funda del encastre cargada. Debe brindarse un soporte estructural adecuado en todas las clases de instalaciones.

- La instalación será más fácil si la campana de ventilación se instala antes de la estufa.

Planificación del armazón del gabinete a medida

- La cubierta hecha a medida debe medirse para verificar que entre bien la funda del encastre de la campana. Ver páginas 48–52 para detalles.

Montaje remoto del control (con cables)

- El control puede montarse en forma remota sobre una pared o un mostrador de encimera.
- Se recomienda el uso de un instalador profesional para el recorte del mostrador de encimera.
- Recomendamos realizar la abertura en granito u otra superficie dura antes de instalar el mostrador de encimera.
- El recorte debe realizarse por lo menos a 6 pulgadas de los extremos del mostrador de encimera.
- Si se va a efectuar el montaje en un mostrador de encimera sobre un cajón, debe tenerse en cuenta la profundidad del montaje del control.
- Se provee un cable de una longitud de 30 pies. Debe prestarse mucha atención a la ubicación del control de montaje remoto.
- Se recomienda que el cable de 4 hilos se dirija a través de un conducto de 1” entre la funda del encastre y la ubicación de montaje remoto.

SUMINISTRO DE ENERGÍA

IMPORTANTE – (Lea con detenimiento)

⚠ ADVERTENCIA: PARA SEGURIDAD PERSONAL, ESTE APARATO DEBE CONECTARSE A TIERRA DE MANERA ADECUADA.

Quite el fusible o abra el interruptor de circuitos antes de comenzar la instalación.

No utilice un cable de extensión o un enchufe adaptador con este artefacto. Siga los códigos eléctricos nacionales o códigos y ordenanzas locales.

Suministro eléctrico

Esta campana de ventilación deben contar con un suministro de 120V, 60Hz, y debe estar conectada a un circuito derivado individual con una adecuada conexión a tierra y debe contar con la protección de un interruptor de circuito o un fusible con retraso.

- El cableado debe ser de 2 hilos con conexión a tierra.
- Si el suministro eléctrico no cumple con los requisitos anteriores, llame a un electricista matriculado antes de continuar.
- Dirija el cableado doméstico lo más cerca posible a la ubicación de la instalación, en el cielorraso o pared trasera.
- Conecte el cableado de la campana al cableado doméstico en cumplimiento con los códigos locales.
- El cableado doméstico debe extenderse en 45” como mínimo desde la parte inferior del gabinete para poder realizar la conexión con el cableado de la campana.

Instrucciones de conexión a tierra

El conductor a tierra debe conectarse a un metal con conexión a tierra, un sistema de cableado permanente o una terminal o conductor de conexión a tierra del equipamiento en la campana.

⚠ ADVERTENCIA: Una conexión inadecuada del conductor de conexión a tierra del equipamiento puede provocar un riesgo de descarga eléctrica. Consulte a un electricista calificado o representante de servicio técnico si tiene dudas sobre la correcta conexión a tierra del artefacto.

Planificación previa

ACCESORIOS PARA CONDUCTOS

Esta campana debe usar un conducto redondo de 8". Puede cambiar a un conducto de 3-1/4" x 12".

Utilice esta tabla para calcular las longitudes máximas permitidas para recorridos de conductos hacia el exterior.

NOTA: ¡No supere las longitudes equivalentes máximas permitidas!


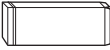


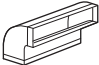
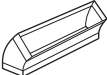

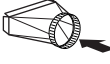
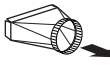
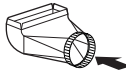
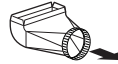
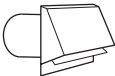
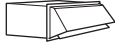

Longitud máxima de conducto: 100 pies para campanas para estufas.

Conductos flexibles:

Si se utilizan conductos flexibles de metal, todos los valores equivalentes en pies de la tabla deben duplicarse. El conducto flexible de metal debe ser recto y liso y debe extenderse lo máximo posible.

NO USE conductos flexibles de plástico.

NOTA: Cualquier sistema de ventilación doméstico, como una campana de ventilación, puede interrumpir el flujo adecuado de aire de combustión y de escape requerido para chimeneas, hornos a gas, calentadores de agua a gas y otros sistemas de ventilación natural. Para minimizar las posibilidades de interrupción de tales sistemas de ventilación natural, siga las pautas y normas de seguridad del fabricante del equipamiento de calefacción, tales como las publicadas por NFPA y ASHRAE.

Pieza de conducto	Dimensiones	Longitud equivalente* utilizada	Cantidad utilizada	Longitud equivalente total
	Redonda, recta	1 pie (por longitud de pie)		
	3-1/4" x 12" recto	1 pie (por longitud de pie)		
	Codo de 90°	17 pies		
	Codo de 45°	10 pies		
	3-1/4" x 12" Codo de 90°	43 pies		
	3-1/4" x 12" Codo de 45°	26 pies		
	3-1/4" x 12" Codo plano de 90°	102 pies		
	Conducto redondo de 8" a transición de 3-1/4" x 12"	2 pies		
	3-1/4" x 12" a transición redonda de 8"	5 pies		
	Redonda de 8" a transición de 3-1/4" x 12" con codo de 90°	6 pies		
	3-1/4" x 12" a transición redonda de 8" con codo de 90°	13 pies		
	Cubierta de pared redonda con regulador de tiro	32 pies		
	Cubierta de pared con regulador de tiro de 3-1/4" x 12"	75 pies		
	Casquete de techo redondo	44 pies		

*Longitud real del conducto recto más equivalente de accesorio de conducto. La longitud equivalente de las piezas de conductos se encuentra basada en pruebas reales realizadas por el grupo de Ingeniería de Evaluación de GE y reflejan los requisitos para un buen desempeño de ventilación con cualquier campana de ventilación.

Recorrido total de los conductos: _____

Preparación para la instalación

HERRAMIENTAS Y MATERIALES REQUERIDOS

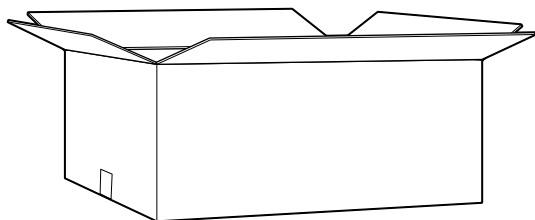
(NO SE SUMINISTRAN)



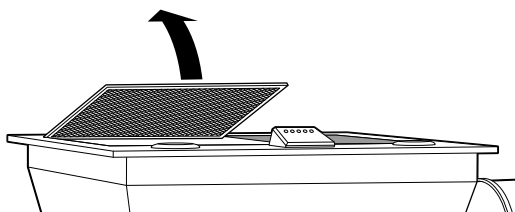
QUITE EL ENVOLTORIO

⚠ PRECAUCIÓN: Use guantes para protegerse de lados afilados.

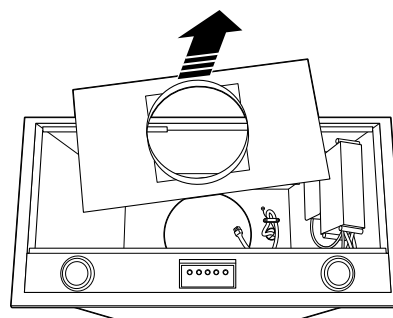
⚠ PRECAUCIÓN: QUITE LA FUNDA DEL ENCASTRE DE LA CAJA TOMÁNDOLA DE LOS COSTADOS.



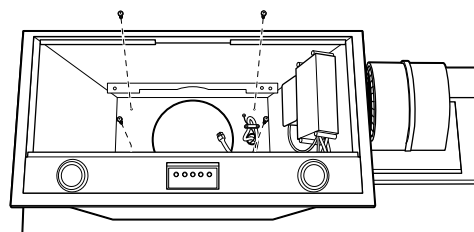
1. Abra el cartón de la campana.
2. Quite le revestimiento, la espuma y el cartón.



3. Quite la cinta que sujeta los filtros a la funda del encastre, levante las lengüetas y saque los filtros.



4. Desenrosque las 5 tuercas que sujetan el montaje de la placa de ventilación del regulador de tiro, y quítelo de la funda del encastre. Coloque las 5 tuercas y el montaje de la placa de ventilación del regulador de tiro a un lado, ya que la volverá a instalar más tarde durante el proceso de instalación.



5. Saque los tornillos que sujetan la funda del encastre a la tabla de montaje. Descarte los tornillos.
6. Tome la funda del encastre de los lados externos y levante hacia arriba para quitarla de la caja.
NOTA: No levante la funda del encastre del motor del ventilador.
7. Quite y deseche adecuadamente el envoltorio plástico.
8. Quite la caja de piezas y otros envoltorios.

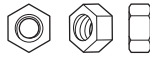
Preparación para la instalación

PIEZAS PROVISTAS

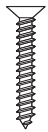
Ubique las piezas empacadas con la campana.

CONTROLE LAS PIEZAS DE INSTALACIÓN

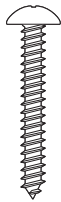
Cuente los tornillos/
componentes. Los
tornillos mostrados
tienen el tamaño real.



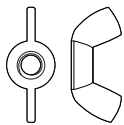
5 tuercas para el montaje
de la placa del regulador
de tiro (no se encuentran
en la bolsa de piezas;
usted debe conservar las
tuercas cuando quite la
placa del regulador de tiro
de la campana del
encastre mientras
desempaca las piezas)



6 tornillos para
madera para
el revestimiento
de la campana



8 tornillos para
madera para
la funda del
encastre



2 tuercas mariposa con
arandelas de presión para
el motor del ventilador



6 tapones del chasis de la funda
del encastre, 1 tapón de orificio
de cable doméstico (opcional),
2 ojales de goma, 4 arandelas
para la funda del encastre

MONTAJE REMOTO DEL CONTROL (CON CABLES)

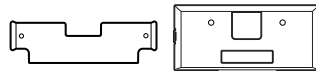


Placa ciega para la
apertura del control
remoto*

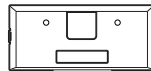
*NOTA: Para utilizarse en
campanas a medida
cuando los controles se
montan en forma remota.



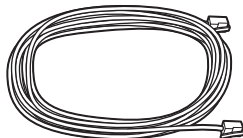
Soporte de pared para el control



Placa de
montaje del
control



Soporte de
montaje del
control



Conector/
convertidor

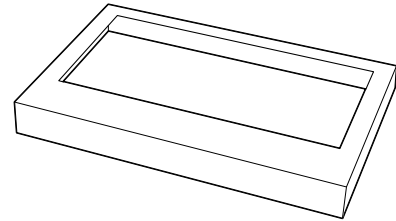
30 pies de cable de 4 hilos
(clavija recta) con
conector/convertidor
NOTA: No debe utilizarse
para una red de
telecomunicaciones (teléfono).



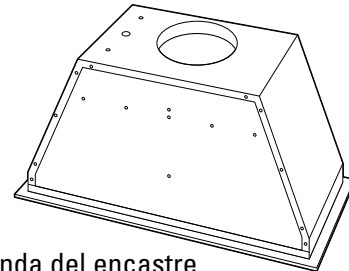
2 tornillos
de placa
de montaje



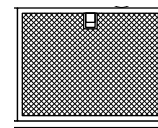
2 tornillos
de soporte
de pared



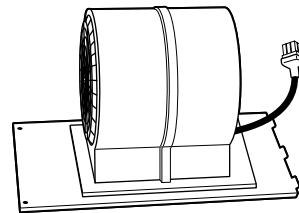
Revestimiento de la campana
(empacado en una caja separada)



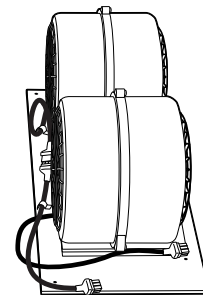
Funda del encastre



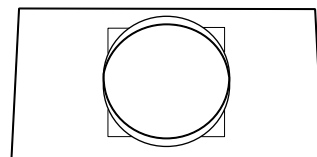
Filtros



Motor del ventilador
(modelos de 30" y 36" de ancho)



Motor del ventilador doble
(modelos de 42" y 48" de ancho)



Placa del regulador de tiro

Preparación para la instalación en pared

UBICACIONES DE LOS CONDUCTOS Y CABLEADO

Determine la ubicación exacta de la funda del encastre. Marque la ubicación exacta de la línea central.

La estructura del cielorraso debe poder soportar el peso de la funda del encastre (aproximadamente 100 libras), la cubierta misma, cualquier elemento de montaje y las cargas de contacto involuntarias ejercidas por el usuario.

- Mida desde la parte superior de la superficie de cocción hasta la parte inferior de la funda del encastre. Sume la altura de instalación de la funda del encastre. Marque dicha ubicación.
- Utilice un nivel para dibujar una línea recta horizontal en lápiz sobre la pared.

NOTA: EL conducto doméstico debe ubicarse 11-1/2" sobre el borde inferior de la funda del encastre. La ubicación del conducto doméstico es importante porque debe alinearse con la ventilación del montaje de la placa del regulador de tiro.

Conductos en el cielorraso:

Si el conducto se ventilará directamente hacia el cielorraso:

- Utilice un nivel para dibujar una línea central en forma recta y ascendente hacia el cielorraso.
- Sobre el cielorraso, mida 5-1/2" desde la pared trasera hasta la línea central de un orificio de 8-1/2".

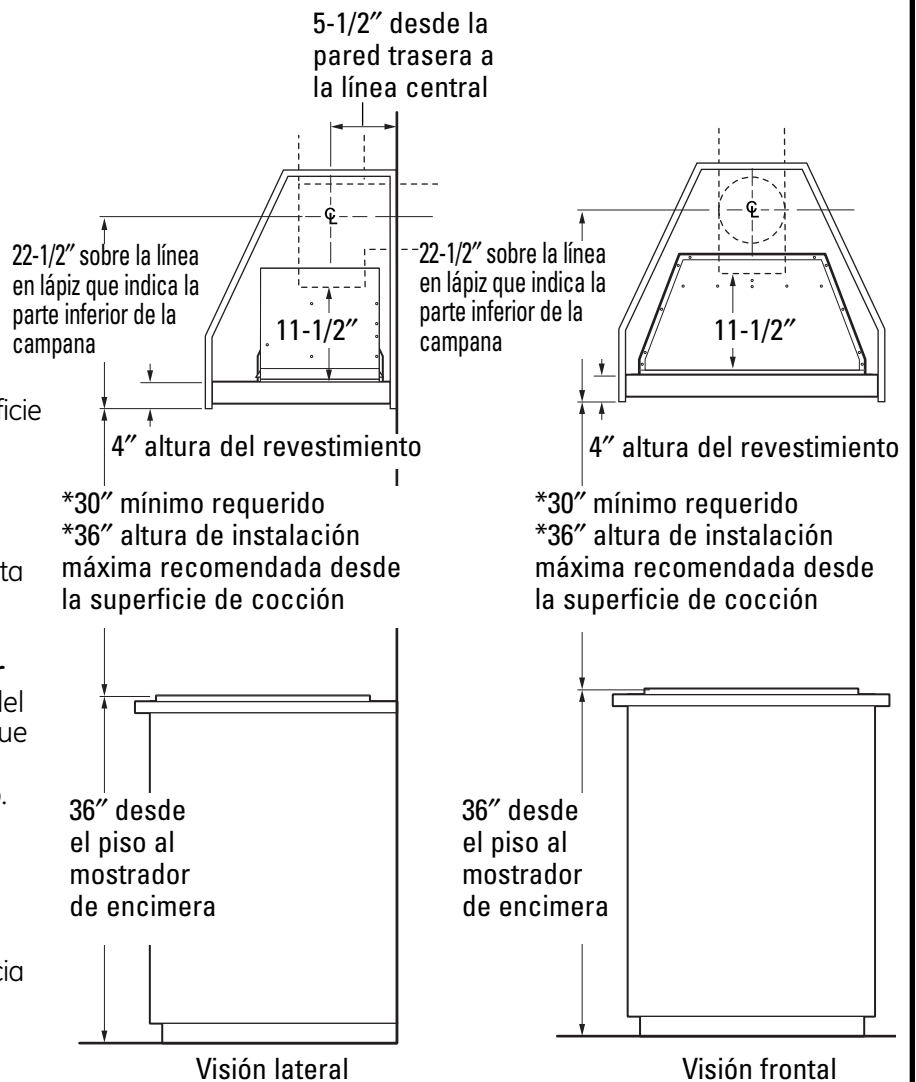
Conductos en la pared trasera: (Ver nota importante.)

Si el conducto se ventilará hacia la parte trasera:

- Utilice un nivel para dibujar una línea central en forma recta y ascendente hacia el cielorraso.
- Mida por lo menos 22-1/2" sobre la línea de lápiz que indica la altura de instalación inferior, hasta la línea central de un orificio de conducto de diámetro de 8-1/2". (El orificio puede ser alargado para un codo de conducto.)

UBICACIÓN DEL CABLEADO DOMÉSTICO:

- La caja de conexiones se encuentra dentro del lado superior izquierdo de la campana.
- El cableado debe ingresar por la pared trasera por lo menos 15" por encima del extremo inferior de la funda del encastre, y dentro de 6" del lado izquierdo de la línea central.



Las ilustraciones no se encuentran a escala

*Siempre consulte las instrucciones de instalación de la estufa o cocina en cuanto a los espacios específicos del producto.

NOTA IMPORTANTE: Si planea realizar la ventilación a través de la pared trasera, y la altura del cielorraso es de 8 pies, la altura máxima de instalación es de 33" sobre la superficie de cocción.

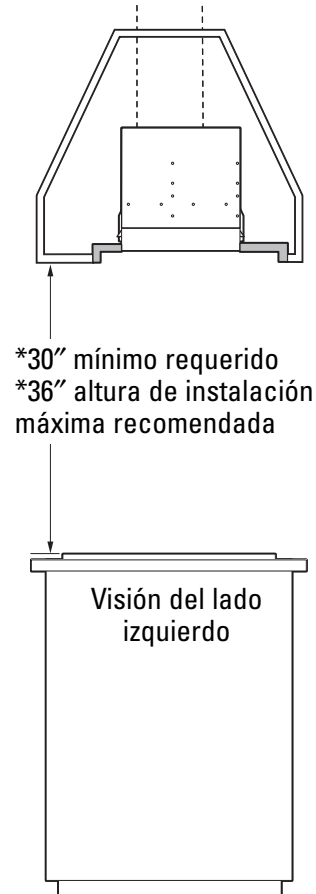
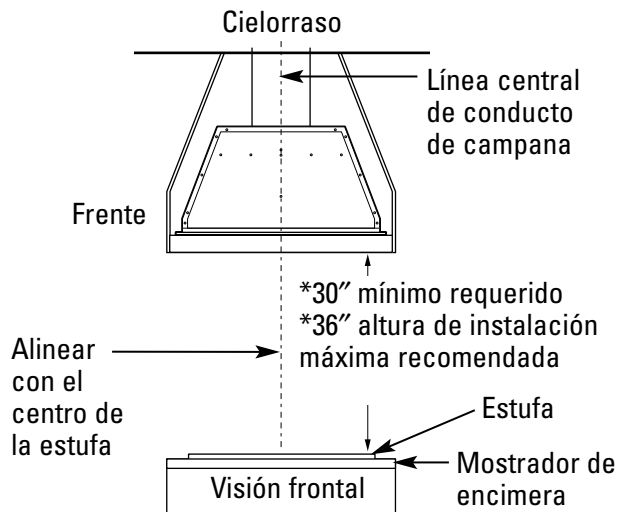
Preparación para la instalación en isla

CONSTRUYA EL SOPORTE DEL CIELORRASO (para instalaciones en isla)

Planifique la ubicación de la campana y del conducto

La estructura del cielorraso debe poder soportar el peso de la funda del encastre (aproximadamente 100 libras), la cubierta misma, cualquier elemento de montaje y las cargas de contacto involuntarias ejercidas por el usuario.

- Utilice una plomada para verificar la ubicación. El mostrador de encimera/estufa ubicados debajo de la funda del encastre deben estar centrados con la funda del encastre.



Las ilustraciones no se encuentran a escala

***Siempre consulte las instrucciones de instalación de la estufa o cocina en cuanto a los espacios específicos del producto.**

- La funda del encastre de la cubierta debe estar centrada de izquierda a derecha sobre la estufa.

- Si así lo desea, instale el control en una ubicación remota utilizando los elementos de montaje suministrados. Ver las páginas siguientes para instrucciones detalladas del montaje del control en forma remota.
- Consulte *Conductos de cielorraso* en la página 56 para instalación de conductos.

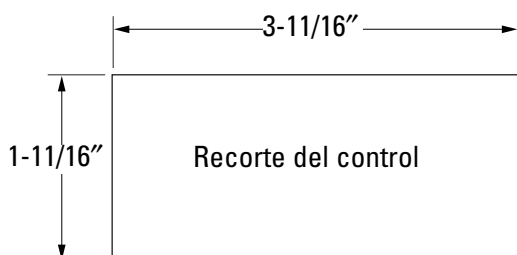
IMPORTANTE: La boca de salida de la parte superior de la funda del encastre no se encuentra centrada; se halla más cerca del lado trasero. Por lo tanto, la funda del encastre puede no estar centrada desde el centro a la parte trasera de la cubierta. Para instalaciones en islas generalmente se requiere un revestimiento a medida construido por el proveedor de gabinetes.

NOTA: Se recomienda que el encastre de campana a medida se adquiera y se tenga en el lugar antes de que se construya la cubierta.

Preparación para la instalación

MONTAJE REMOTO DEL CONTROL – CON CABLES

⚠ ADVERTENCIA: Desconecte la energía eléctrica de la unidad antes de comenzar la instalación del control remoto. No hacerlo puede provocar una lesión personal o daños a los controles eléctricos.



UBICACIÓN REMOTA DEL CONTROL

NOTA: La campana cuenta con una certificación de uso con el cable de 30 pies de longitud provisto.

El control puede quitarse de la campana e instalarse en un salpicadero o mostrador de encimera.

- Se provee una placa para cubrir la abertura de la campana cuando se quita el control.
- Se provee un cable de 4 hilos de una longitud de 30 pies para poder utilizarse en la mayoría de las instalaciones. Dado que se provee un cable de sólo 30 pies, debe prestarse mucha atención a la ubicación del control montado en forma remota.
- El cable de 30 pies se suministra con un conector/convertidor en un extremo. **NO QUITE** el conector/convertidor del cable de 30 pies. No utilizar el conector/convertidor con el cable más corto no permitirá un funcionamiento adecuado del control.

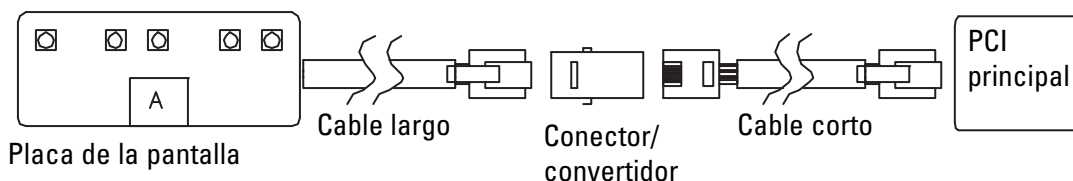
NOT: No debe utilizarse para una red de telecomunicaciones (teléfono).

- El cable debe dirigirse a través de los orificios de la funda del encastre y los ojales de goma deben colocarse en su lugar alrededor del cable.

NOTA: En los modelos ZVC30 y ZVC36, el cable debe dirigirse a través de los orificios de la funda del encastre antes se instalar la placa del regulador de tiro.

- Dirija el cable a través del conducto para alcanzar la ubicación de la instalación del control.

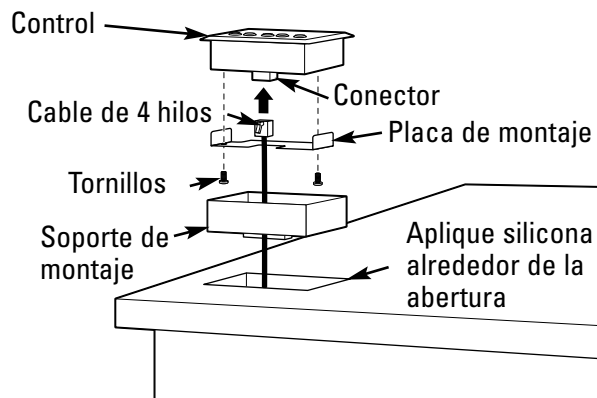
Control de montaje remoto – Instalación en pared o en mostrador de encimera



Preparación para la instalación

MONTAJE REMOTO DEL CONTROL - CON CABLES (continuación)

MOSTRADOR DE ENCIMERA

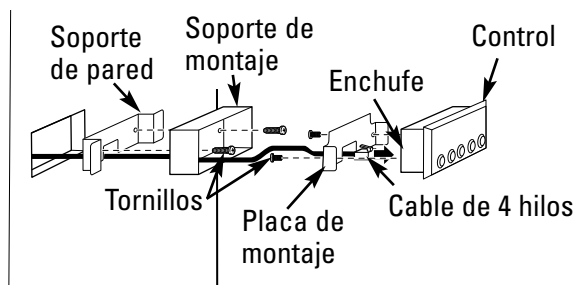


1. Corte la abertura en el mostrador de encimera. Las dimensiones del recorte son 1-11/16" x 3-11/16".
2. Afloje los 4 tornillos de mariposa y quite el control de la funda del encastre. Reemplace el control con la placa ciega provista.
3. Sujete la placa de montaje a la parte trasera del control con los 2 tornillos de placa de montaje.
4. Tire del cable de 4 hilos a través de la abertura del mostrador de encimera, y a través de la parte trasera del soporte de montaje.

NOTA: Utilice SOLAMENTE los cables y el conector/convertidor provistos.

5. Conecte el cable de 4 hilos al enchufe del conector en el control de montaje remoto.
6. Presione el control firmemente dentro del soporte de montaje para que los ganchos se sujeten.
7. Aplique silicona alrededor de la abertura.
8. Coloque el control dentro de la abertura.

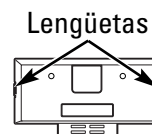
MONTAJE DE PARED



1. Corte una abertura en la superficie de la pared. Las dimensiones del recorte son 1-11/16" x 3-11/16".
2. Afloje los 4 tornillos de mariposa y quite el control de la funda del encastre. Reemplace el control con la placa ciega provista.
3. Sujete la placa de montaje a la parte trasera del control con los 2 tornillos de placa de montaje.
4. Tire del cable de 4 hilos a través de la abertura de la pared, el soporte de pared y la parte trasera del soporte de montaje.

NOTA: Utilice SOLAMENTE los cables y el conector/convertidor provistos.

5. Conecte el soporte de montaje al soporte de pared utilizando los dos tornillos del soporte de pared. Sólo comience las primeras 1-2 roscas de los tornillos en la pared, ya que debe dejarse un espacio entre los dos soportes para el grosor de la pared.
6. Levante las lengüetas del soporte de montaje para que el soporte entre a través de la abertura de la pared.
7. Gire los soportes de montaje y de pared y deslícelos a través de la abertura de la pared.

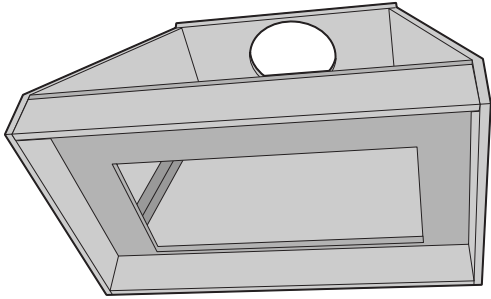


NOTA: Sujete un hilo a los soportes, para poder recuperarlos desde detrás de la pared si se caen.

8. Aplane las lengüetas del soporte de montaje para que queden alineadas con la superficie de la pared, y ajuste los tornillos del soporte de pared para ajustar las bridas del soporte de la pared con la superficie trasera de la pared.
9. Conecte el cable de 4 hilos al enchufe del conector en el control de montaje remoto.
10. Presione el control firmemente dentro del soporte de montaje para que los ganchos se sujeten.

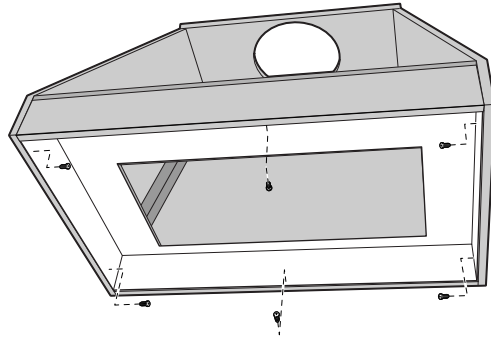
Instrucciones de instalación

PASO 1 INSTALE EL REVESTIMIENTO DE LA CAMPANA

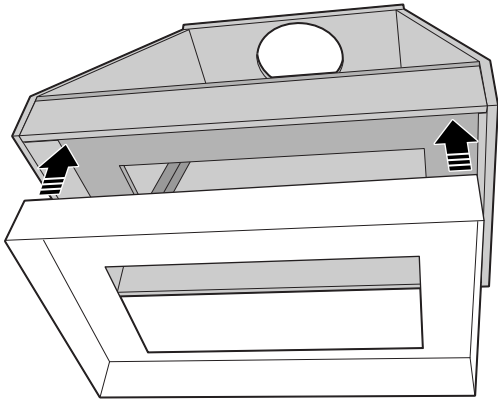


1. Encuadre la abertura para que entre el revestimiento.

NOTA: El soporte de la abertura debe ser una madera de 3/4" de ancho para que entren los tornillos de instalación del revestimiento.



3. Sujete el revestimiento al gabinete con los 6 tornillos provistos.



2. Deslice el revestimiento dentro de la abertura hasta que quede alineado con los extremos inferiores.

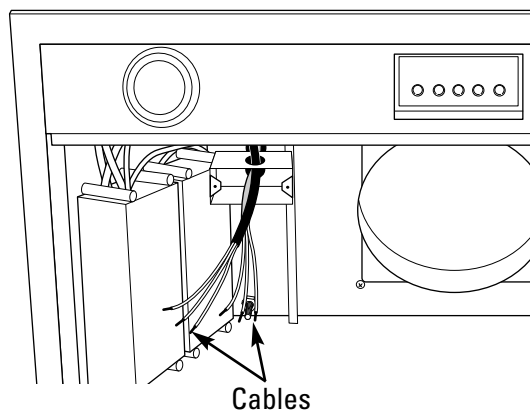
Instrucciones de instalación

PASO 2 CONECTE LA ELECTRICIDAD

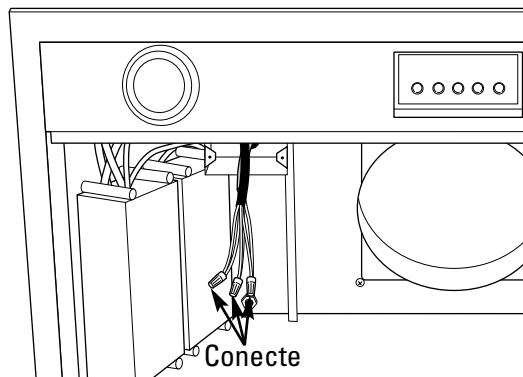
Verifique que la energía esté cortada en la fuente.

⚠ ADVERTENCIA: Si el cableado doméstico no es de 2 hilos con conexión a tierra, un electricista deberá convertir el cableado existente para que cumpla con las especificaciones. Cuando el cableado doméstico es de aluminio, asegúrese de usar un compuesto antioxidante y conectores de aluminio a cobre aprobados por UL.

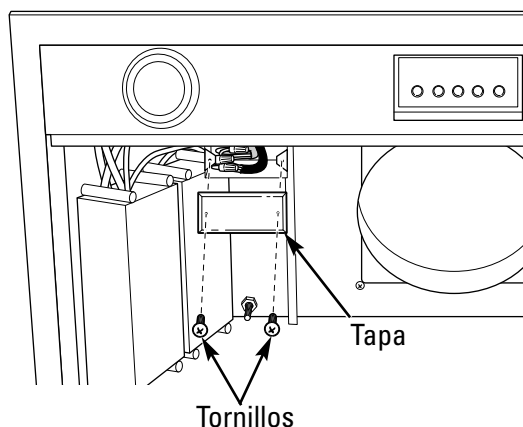
1. Coloque la funda de encastre sobre una superficie acolchada y estable debajo del recorte (puede utilizarse un cartón aplastado para acolchar la superficie).



2. Quite la tapa de la caja de conexiones.
3. Tire de los cables domésticos a través de la pared de la funda del encastre y sujete el alivio de tensión. Enrosque el cable doméstico a través de la caja de conexiones.



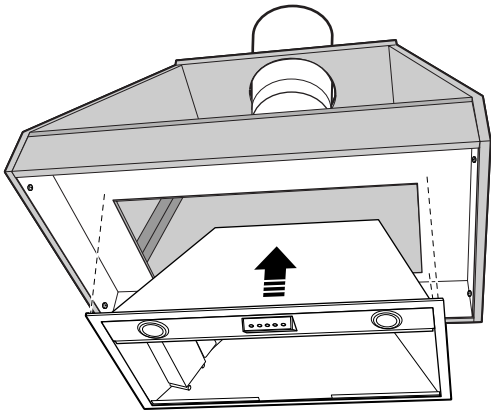
4. Conecte los cables blancos al cable blanco del circuito derivado.
5. Conecte los cables negros al cable negro del circuito derivado.
6. Conecte los cables verdes/amarillos al cable verde del circuito derivado.
7. Ajuste todas las conexiones con tapones de alambre sobre cada conector eléctrico.



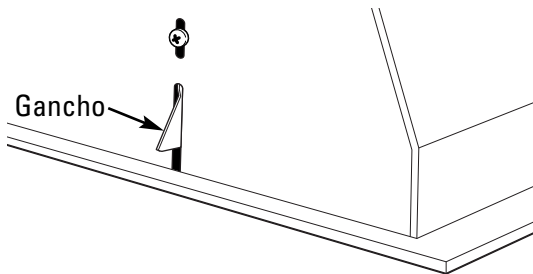
8. Con cuidado empuje los cables dentro de la caja de conexiones y coloque la tapa.
9. Sujete la tapa de la caja de conexiones con los tornillos originales.

Instrucciones de instalación

PASO 3 INSTALE LA FUNDA DEL ENCASTRE

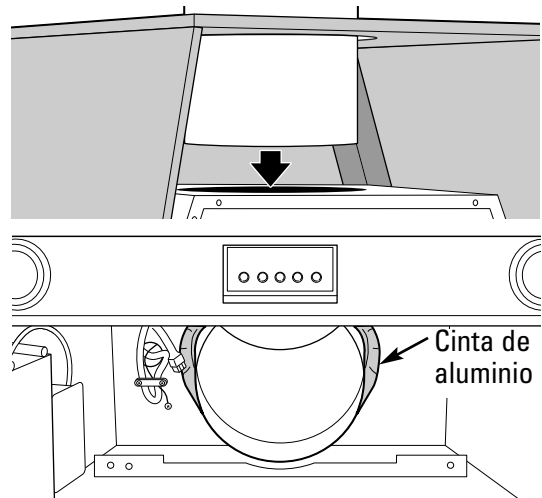


1. Quite del camino el cableado doméstico.
2. Instale la funda del encastre en la abertura del armazón del gabinete a medida.



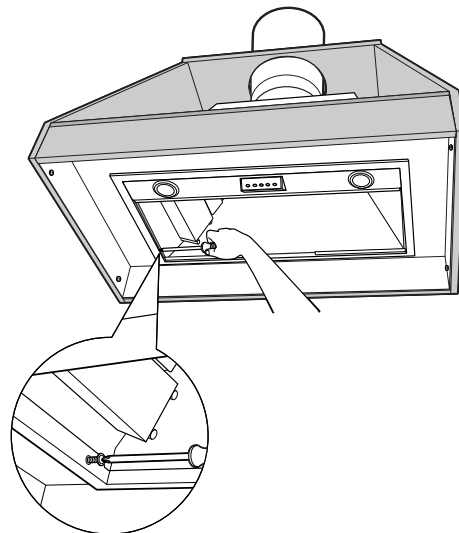
3. Empuje la funda del encastre hacia arriba a través de la abertura hasta que enganchen los ganchos de sujeción temporarios. Los ganchos de sujeción están diseñados para sostener la funda del encastre hasta que se sujete bien con los tornillos.

NOTA: Los ganchos de sujeción no están diseñados para soportar todo el peso de la funda del encastre. No deje la funda del encastre sin atención hasta haber colocado todos los tornillos.



4. Alinee el conducto de 8" con la abertura de salida de la funda del encastre y selle con cinta de aluminio.

NOTA: El conducto doméstico debe ubicarse a 11-1/2" sobre el lado inferior de la funda del encastre o la parte inferior de la base del gabinete de 3/4".

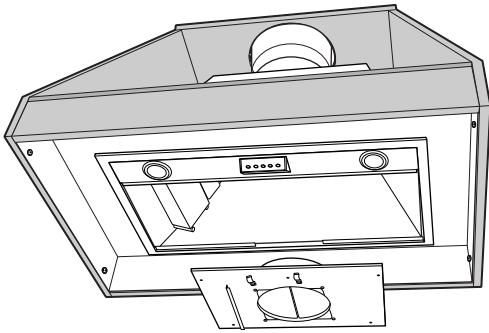


5. Coloque con cinta las 4 arandelas en su lugar sobre la parte externa de los 4 orificios frontales y traseros de la funda del encastre. Las arandelas están diseñadas para colocarse entre la funda del encastre y la superficie del gabinete de 3/4".
6. Presione la funda firmemente hacia arriba y sujétela con los 8 tornillos provistos. La funda del encastre debe quedar alineada con el revestimiento y no debe haber espacios visibles.

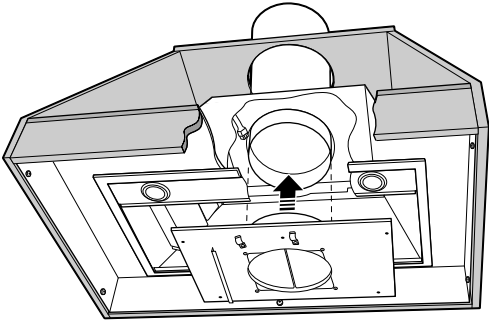
NOTA: Es IMPORTANTE instalar el tornillo de montaje frontal. El orificio del tornillo frontal es difícil de ver y puede resultar necesario que usted introduzca la cabeza dentro de la abertura para ubicarlo.

Instrucciones de instalación

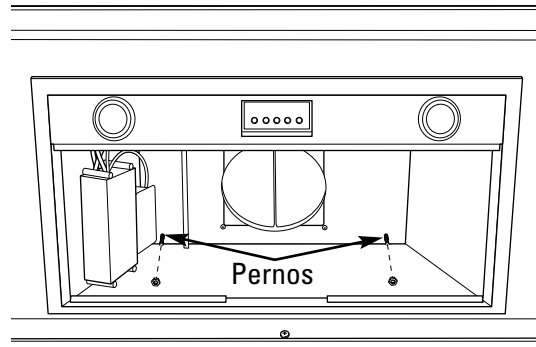
PASO 4 INSTALE LA PLACA DEL REGULADOR DE TIRO



1. Tome el montaje de la placa del regulador de tiro y gírela para que el lado de la ventilación quede hacia arriba y el soporte quede sobre la izquierda si se mira de frente la campana.



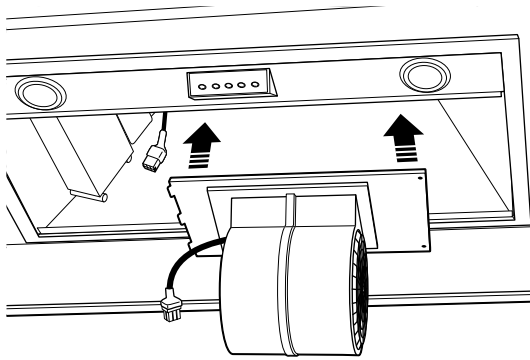
2. Introduzca el montaje de la placa del regulador de tiro dentro de la funda del encastre y con cuidado alinéelo con el conducto doméstico de 8".



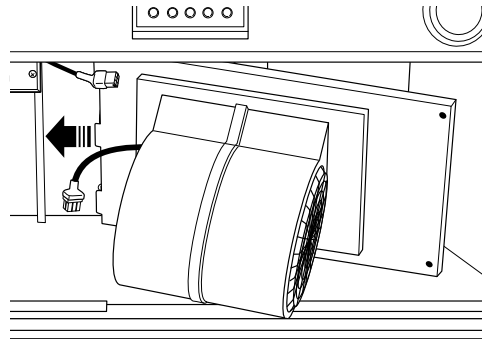
3. Fije el montaje de la placa del regulador de tiro colocando tuercas sobre los pernos y ajustándolos con una llave.

Instrucciones de instalación

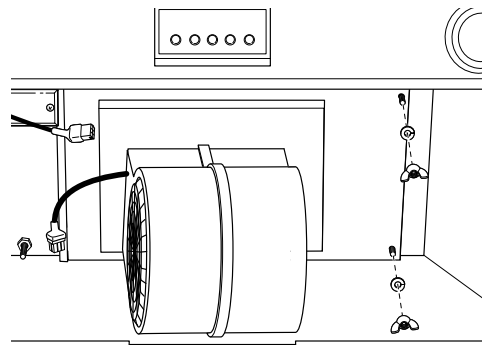
PASO 5 INSTALE EL MOTOR DEL VENTILADOR



1. Tome el motor del ventilador y gírelo para que las lengüetas queden alineadas con el soporte de la placa del regulador de tiro.
2. Introduzca el motor del ventilador dentro de la funda del encastre a través de la abertura del armazón del gabinete a medida.



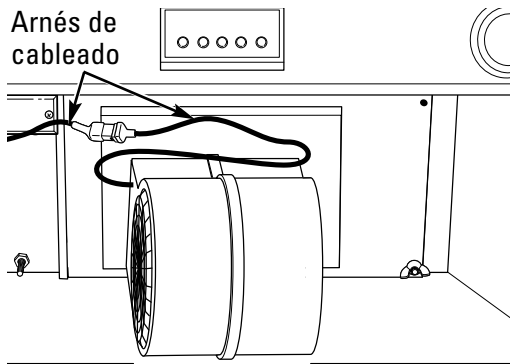
3. Coloque el motor del ventilador en el montaje de la placa del regulador de tiro deslizando las lengüetas del motor del ventilador dentro de las ranuras del montaje de la placa del regulador de tiro.



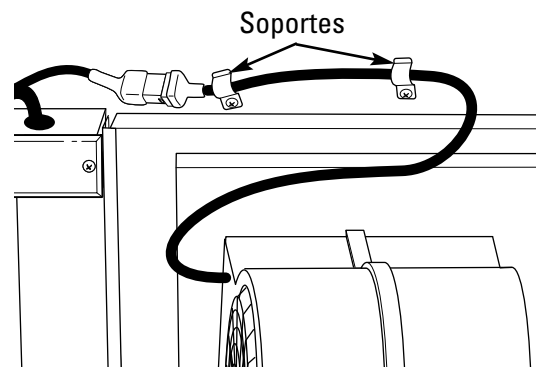
4. Mientras sostiene el motor del ventilador en su lugar, levante el lado derecho para que los orificios de los pernos del motor queden alineados con los pernos que sobresalen de montaje de la placa del regulador de tiro y ajuste con arandelas de presión y tuercas mariposa (ajuste a mano).

PASO 6 CONECTE EL ARNÉS DE CABLEADO

NOTA: Conecte tres ganchos de dirección y dos arneses de cableado sobre los modelos de doble ventilador.



1. Ubique los dos extremos del arnés de cableado.
2. Conecte el arnés de cableado introduciendo el extremo macho en la abertura hembra.

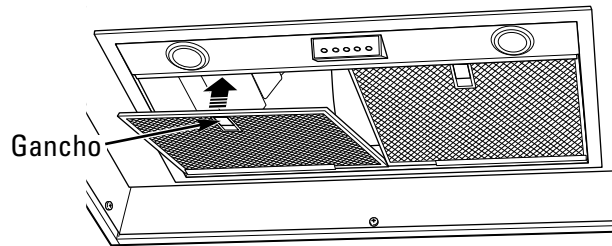


3. Con cuidado dirija el arnés de cableado y cable a tierra a través de dos ganchos sujetos al montaje de la placa del ventilador.

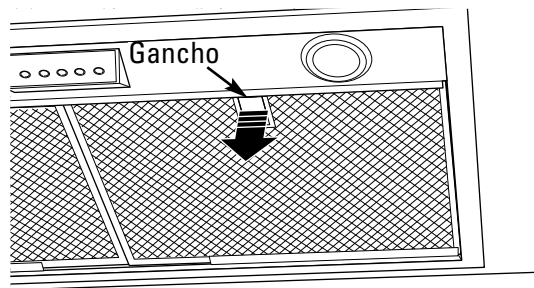
Instrucciones de instalación

PASO 7 INSTALE LOS FILTROS

1. Quite la película protectora de los filtros.



2. Incline el filtro dentro de las ranuras de lengüeta traseras y levántelo. Mientras mantiene una leve presión hacia atrás sobre el filtro, abra el gancho y colóquelo en su lugar con ambas manos.



3. Para quitarlo, sostenga el filtro con una mano mientras tira del gancho del filtro con la otra.

PASO 8 FINALICE LA INSTALACIÓN

1. Controle que se hayan quitado toda la cinta y los materiales de empaque.
2. Consulte el Manual del propietario para instrucciones operativas.

Notas

Notas

NOTE: While performing installations described in this book, safety glasses or goggles should be worn.

For Monogram® local service in your area, call 1.800.444.1845.

NOTE: Product improvement is a continuing endeavor at General Electric. Therefore, materials, appearance and specifications are subject to change without notice.

NOTE : Lorsque vous procédez à des installations détaillées dans ce manuel, veillez à vous munir de lunettes de protection.

Pour le service de Monogram® le plus proche de votre domicile, appelez le 1.800.444.1845.

NOTE : L'amélioration des produits est une constante chez General Electric. Les matériaux, l'aspect et les spécifications sont par conséquent susceptibles de faire l'objet de modifications sans avis préalable.

NOTA: Mientras efectúa las instalaciones descritas en este libro, deben utilizarse gafas o lentes de seguridad.

Para servicio técnico local Monogram® en su área, llame al 1.800.444.1845.

NOTA: La mejora de los productos es un esfuerzo continuo para General Electric. Por lo tanto, los materiales, apariencia y especificaciones pueden sufrir cambios sin previo aviso.



Free Manuals Download Website

<http://myh66.com>

<http://usermanuals.us>

<http://www.somanuals.com>

<http://www.4manuals.cc>

<http://www.manual-lib.com>

<http://www.404manual.com>

<http://www.luxmanual.com>

<http://aubethermostatmanual.com>

Golf course search by state

<http://golfingnear.com>

Email search by domain

<http://emailbydomain.com>

Auto manuals search

<http://auto.somanuals.com>

TV manuals search

<http://tv.somanuals.com>