

G3 Lubrication Pump Food and Beverage Kit

333488A

EN

Converts a G3 Pump for use in food and beverage applications. For professional use only.

Model: 24V837

Maximum Working Pressure: 5100 psi (35.1 MPA, 351.6 bar)

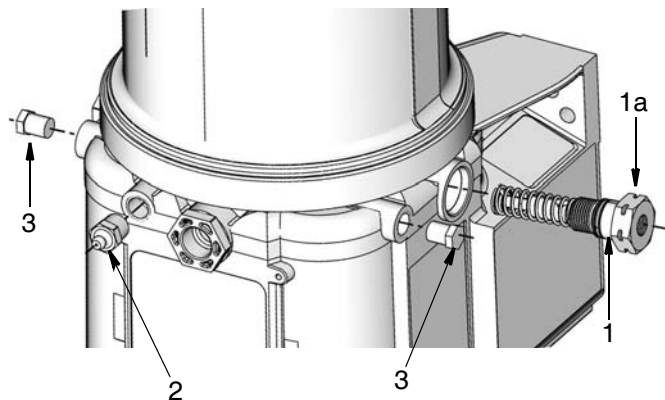


Important Safety Instructions

Read all warnings and instructions in this manual and the G3 Pump manual. Save all instructions.

Parts Included in Kit

Ref	Description	Qty
1*	ELEMENT, pump	1
2	FITTING, zerk	1
3	PLUG	2





*Note the grooves (1a) around the surface of the hex head of the pump element (1) included in the kit. These grooves are added to help the user differentiate between the original pump element and the new pump element for use with food and beverage applications.

Warnings

The following warnings are for the setup, use, grounding, maintenance, and repair of this equipment. The exclamation point symbol alerts you to a general warning and the hazard symbols refer to procedure-specific risks. When these symbols appear in the body of this manual or on warning labels, refer back to these Warnings. Product-specific hazard symbols and warnings not covered in this section may appear throughout the body of this manual where applicable.

! WARNING

SKIN INJECTION HAZARD

High-pressure fluid from dispense device, hose leaks, or ruptured components will pierce skin. This may look like just a cut, but it is a serious injury that can result in amputation. **Get immediate surgical treatment.**

Follow **Pressure Relief Procedure** in this manual when you stop dispensing and before cleaning, checking, or servicing equipment.

Instructions

Pressure Relief Procedure



Follow the Pressure Relief Procedure whenever you see this symbol.



This equipment stays pressurized until pressure is manually relieved. To help prevent serious injury from pressurized fluid, such as skin injection, splashing fluid and moving parts, follow the Pressure Relief Procedure when you stop dispensing and before cleaning, checking, or servicing the equipment.

To relieve pressure in the system, use two wrenches working in opposite directions on pump outlet fitting to **slowly loosen fitting only** until fitting is loose and no more lubricant or air is leaking from fitting as shown in FIG. 1.

NOTE: When loosening pump element fitting do NOT loosen pump element. Loosening pump element will change the output volume.

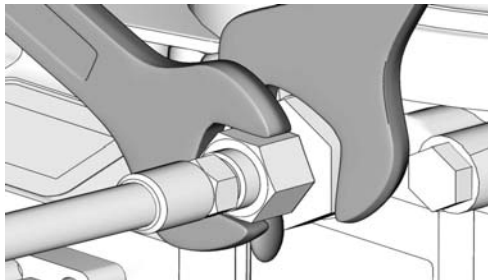


FIG. 1

Technical Data

	US	Metric
Maximum Working Pressure	5100 psi	35.1 MPa, 351.6 bar
Wetted Parts	nylon 6/6 (PA), zinc plated steel, alloy steel, stainless steel, nitrile rubber (buna-N), PTFE	

Disassembly

The following instructions are for removing the pump element currently installed in the G3 Pump. Reference numbers used in these instructions correspond to parts included in the kit and are provided on page 1. Parts identified with an alpha character are user provided or already installed components.

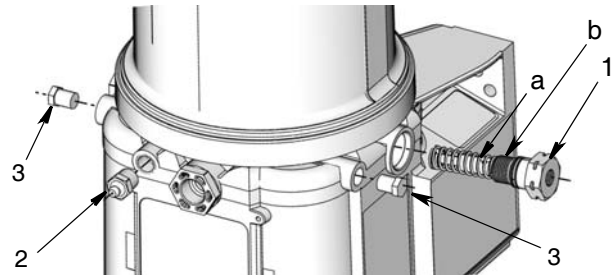


FIG. 2

1. Disconnect power source.
2. Relieve pressure following Pressure Relief Procedure provided.
3. Disconnect anything installed to pump element such as pressure relief valves, output union or other fittings.
4. Use a wrench to loosen pump element (1) and completely remove pump element (FIG. 2).

NOTE: Make sure spring (a) retainer (b) and piston (not shown) are removed with pump element.

5. Remove zerk fitting (2) and plugs (3) as shown in FIG. 2.

Installation

1. Examine new pump element (1). Make sure spring (a), retainer (b) and piston are installed (FIG. 2).
2. Slide pump element into housing. Be careful not to cross thread the pump element during installation.
3. Hand tighten pump and then torque to 50 in.-lbs (5.6 N•m) (FIG. 1).
4. Apply thread sealant to stainless steel zerk fitting (2) and install zerk fitting as shown in FIG. 2. Torque to 50 in.-lbs (5.6 N•m).
5. Apply thread sealant to stainless steel plugs (3) and install plugs as shown in FIG. 2. Torque to 50 in.-lbs (5.6 N•m).

All written and visual data contained in this document reflects the latest product information available at the time of publication. Graco reserves the right to make changes at any time without notice.

Original instructions. This manual contains English. MM 333488

Graco Headquarters: Minneapolis

International Offices: Belgium, China, Japan, Korea

GRACO INC. AND SUBSIDIARIES • P.O. BOX 1441 • MINNEAPOLIS MN 55440-1441 • USA

Copyright 2014, Graco Inc. All Graco manufacturing locations are registered to ISO 9001.

www.graco.com

May 2014

Free Manuals Download Website

<http://myh66.com>

<http://usermanuals.us>

<http://www.somanuals.com>

<http://www.4manuals.cc>

<http://www.manual-lib.com>

<http://www.404manual.com>

<http://www.luxmanual.com>

<http://aubethermostatmanual.com>

Golf course search by state

<http://golfingnear.com>

Email search by domain

<http://emailbydomain.com>

Auto manuals search

<http://auto.somanuals.com>

TV manuals search

<http://tv.somanuals.com>