

# IMAGE<sup>®</sup>

R E N E W

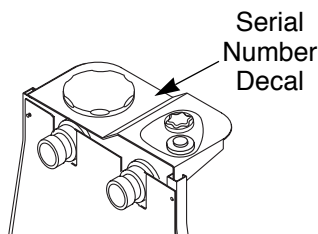
8 1 5

Patent Pending

Model No. IMHS81590

Serial No. \_\_\_\_\_

Write the serial number in the space above for reference.



## USER'S MANUAL

### QUESTIONS?

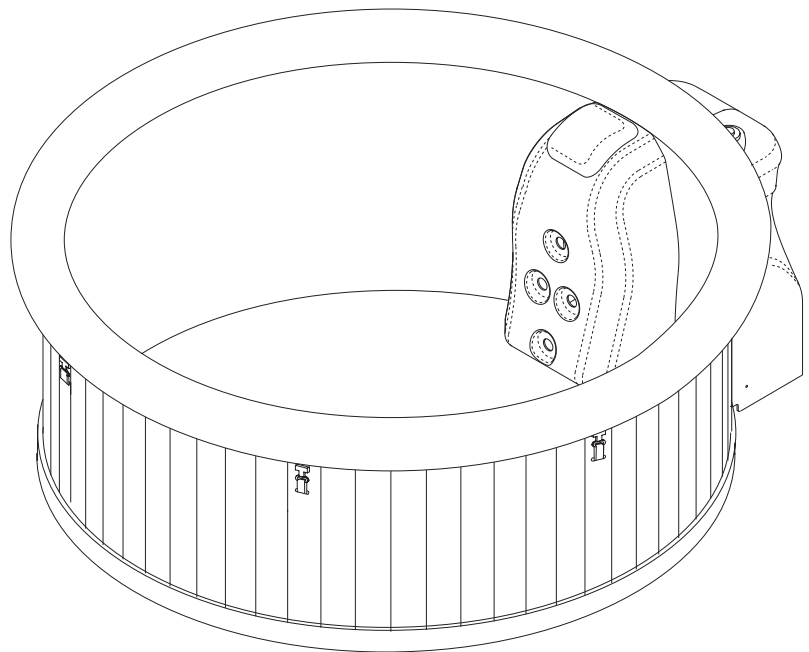
As a manufacturer, we are committed to providing complete customer satisfaction. If you have questions, or if there are missing parts, we will guarantee complete satisfaction through direct assistance from our factory.

TO AVOID UNNECESSARY DELAYS, PLEASE CALL DIRECT TO OUR TOLL-FREE CUSTOMER HOT LINE. The trained technicians on our customer hot line will provide immediate assistance, free of charge to you.

CUSTOMER HOT LINE:

**1-800-999-3756**

Mon.-Fri., 6 a.m.-6 p.m. MST



### CAUTION

Read all precautions and instructions in this manual before using this equipment. Save this manual for reference.



Visit our website at

[www.imagefitness.com](http://www.imagefitness.com)

new products, prizes,  
fitness tips, and much more!

# Table of Contents

WARNING DECAL PLACEMENT .....	2
IMPORTANT SAFETY INSTRUCTIONS .....	3
BEFORE YOU BEGIN .....	5
CHOOSING A LOCATION FOR THE HYDROTHERAPY SPA .....	6
ASSEMBLY .....	7
USING THE HYDROTHERAPY SPA .....	10
MAINTENANCE .....	13
TROUBLE-SHOOTING .....	14
ORDERING REPLACEMENT PARTS .....	Back Cover
LIMITED WARRANTY .....	Back Cover

Note: A PART LIST and an EXPLODED DRAWING are attached in the center of this manual.

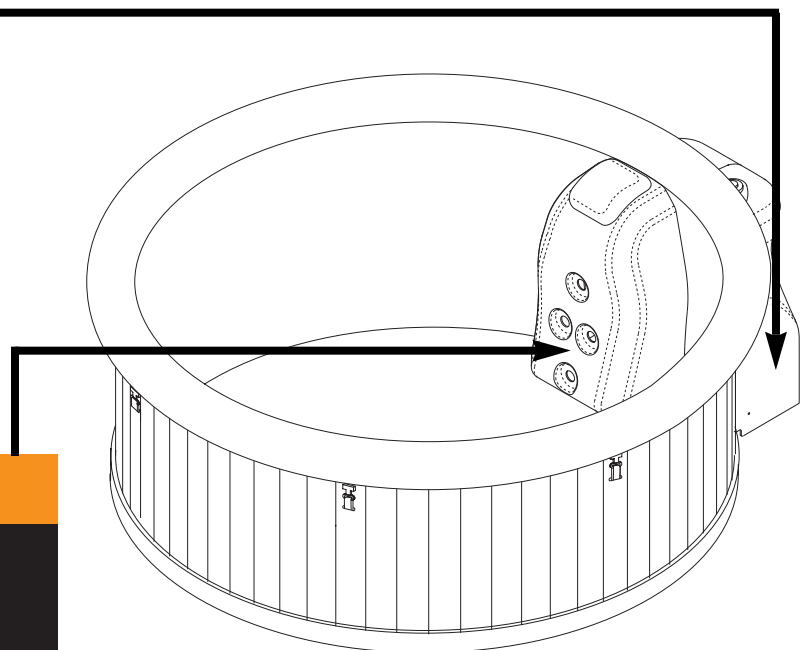
## Warning Decal Placement

The decals shown below have been placed on the RENEW 815. If a decal is missing, or if it is not legible, please call our Customer Service Department toll-free at 1-800-999-3756, Monday through Friday, 6 a.m. until 6 p.m. Mountain Time, to order a replacement decal. Apply the replacement decal in the location shown.

**! WARNING**

**TO REDUCE RISK OF INJURY, DROWNING OR ELECTROCUTION:**

- Read user's manual before using this spa.
- Inspect regularly and replace any worn parts immediately.
- Supervise children at all times.
- Reattach the spa cover after each use.
- Spa heat may cause hyperthermia and unconsciousness.
- If using alcohol, drugs, or medication, spa heat may cause unconsciousness.
- Keep all electrical appliances at least 5 feet away from spa.
- Never place entire spa jet unit in water — refer to user's manual for proper installation.



**! WARNING**

**PREVENT DROWNING**

- SUPERVISE CHILDREN AT ALL TIMES.
- ATTACH SPA COVER AFTER EACH USE.
- SPA HEAT CAN CAUSE HYPERTHERMIA AND UNCONSCIOUSNESS.
- SPA HEAT IN CONJUNCTION WITH ALCOHOL, DRUGS, OR MEDICATION CAN CAUSE UNCONSCIOUSNESS.

**PREVENT ELECTROCUTION**

- NEVER PLACE ANY ELECTRIC APPLIANCE WITHIN 5 FEET OF SPA.
- NEVER SUBMERGE ENTIRE EQUIPMENT PACK IN WATER — REFER TO OWNER'S MANUAL FOR PROPER INSTALLATION.

Please take the time to read the important information on the decal shown at the left and then remove the decal before you use the spa.

# Important Safety Instructions

**WARNING:** To reduce the risk of drowning, electric shock, or serious injury, read the following important precautions before using the RENEW 815.

## READ AND FOLLOW ALL INSTRUCTIONS

1. It is the responsibility of the owner to ensure that all users of the RENEW 815 are adequately informed of all precautions.
2. Use the RENEW 815 only as described in this manual.
3. The RENEW 815 is intended for home use only. Do not use the RENEW 815 in any commercial, rental or institutional setting.
4. Use the RENEW 815 only on a level surface. Do not use the RENEW 815 on carpet or other materials that could be damaged by moisture. Do not use the RENEW 815 on rough or sharp surfaces such as gravel or wood chips.
5. The RENEW 815 will weigh approximately 2,350 pounds when it is assembled and filled with water. Be sure that the location you select for the RENEW 815 will support this weight, plus the weight of the occupants.
6. Inspect and tighten all parts regularly. Replace any worn parts immediately.
7. **DANGER—Risk of injury:** Do not remove or alter the covers on the suction fittings. Never operate the RENEW 815 if the suction guard is missing or broken. Keep hair and body away from the suction guard. If you need to replace a suction fitting, be sure that the flow rate of the replacement is compatible.
8. Do not bring any object into the RENEW 815 that could puncture the liner.
9. Never insert any object into any opening.
10. Do not sit on the spa cover or place objects on it. It is not designed to support weight.
11. Remove any water that may collect on the spa cover.
12. Keep children and pets away from the RENEW 815 when it is not in use.
13. Keep all chemicals away from children and pets.
14. The pH and chemical balance of the water must be maintained as explained in this manual (see page 13). Failure to do so may cause injury to users or damage to the spa jet unit, and will void the warranty.
15. The water pump in the spa jet unit must be primed before you use the RENEW 815 the first time. You must also prime the pump before using the unit each time you re-fill the spa or clean the filter. The spa jet unit may be seriously damaged if the pump is not properly primed (see PRIMING THE SPA JET UNIT on page 10).
16. **DANGER—**When connecting the power cord (see PLUGGING IN THE RENEW 815 on page 10), plug the power cord directly into a grounded circuit capable of carrying 15 or more amps. No other appliance should be on the same circuit. Replace the power cord immediately if damaged.
17. Do not use an extension cord with the RENEW 815. This could damage the motor and the electrical system and it will void the warranty.
18. **DANGER—**If you will be using the RENEW 815 outside, do not bury the power cord; you should also keep the power cord away from lawn mowers, hedge trimmers, and other similar equipment.
19. **WARNING—**The power cord is equipped with a Ground Fault Circuit Interrupter (GFCI), located at the end of the power cord. The GFCI must be tested before each use. To test the GFCI, press the “test” button while the spa jet unit is running. The spa jet unit should shut off. Press the “reset” button. The spa jet unit should resume normal oper-

ation. If the spa jet unit continues to run after the “test” button is pressed, then the GFCI is damaged. Do not use the RENEW 815 until the GFCI has been repaired or replaced by a qualified electrician.

20. Keep all electrical appliances such as radios, telephones, televisions, and lights at least five feet (1.52 meters) away from the water.
21. **DANGER**—Risk of electric shock: Do not set up the RENEW 815 within five feet of any metal objects or surfaces.
22. **DANGER**—Risk of drowning: Exercise extreme caution to prevent unauthorized and unsupervised use of the RENEW 815 by children. Children must always be supervised.
23. **DANGER**—To reduce the risk of drowning:
  - Never use the RENEW 815 alone;
  - Children should not use the RENEW 815 unless they are supervised by an adult;
  - Keep pets away from the RENEW 815 at all times;
  - Always replace and lock the spa cover when the RENEW 815 is not in use.
24. **WARNING**—To reduce the risk of injury: The water temperature should never exceed 104°F (40°C). Temperatures between 100°F (38°C) and 104°F (40°C) are considered to be safe for healthy adults. However, if you plan to remain in the RENEW 815 for more than 10 to 15 minutes, a lower temperature is recommended. Lower temperatures are also recommended for children.
25. **WARNING**—To reduce the risk of injury: Always use an accurate thermometer to determine the water temperature before using the RENEW 815.
26. **WARNING**—To reduce the risk of injury: Pregnant women should consult with their physician before using the RENEW 815. Pregnant women should not use the RENEW

815 if the water temperature is above 100°F (38°C); the unborn child could be seriously harmed.

27. **DANGER**—To reduce the risk of drowning: Prolonged immersion in the RENEW 815 may cause hyperthermia, a dangerous condition which occurs when the internal body temperature rises several degrees above the normal body temperature of 98.6°F. The symptoms of hyperthermia are nausea, dizziness, drowsiness, and fainting. Effects include: a lack of awareness, inability to perceive heat or danger, and a greater risk of drowning due to a loss of consciousness. Special note: Individuals suffering from hyperthermia may be unable to realize that they must exit the RENEW 815, and they also may be physically unable to do so.
28. **WARNING**—To reduce the risk of drowning: Heat from the water, in conjunction with alcohol or drugs can cause unconsciousness. Do not use the RENEW 815 if you are under the influence of drugs or alcohol.
29. **WARNING**—To reduce the risk of injury or drowning: Consult your physician about possible side-effects of any medications you may be taking before using the RENEW 815. Heat from the water, in conjunction with some medications may cause drowsiness and increase the risk of drowning. Others can effect blood pressure, heart rate, and circulation.
30. **WARNING**—To reduce the risk of injury: It is especially important for persons over the age of 35 or persons with pre-existing health problems, such as obesity, heart disease, high or low blood pressure, circulatory problems, or diabetes to consult your physician before using this product.
31. If you feel pain or dizziness at any time while using the RENEW 815, discontinue use and contact a physician.

**WARNING:** Read all instructions before using the RENEW 815. ICON assumes no responsibility for personal injury or property damage sustained by or through the use of this product.

## SAVE THESE INSTRUCTIONS

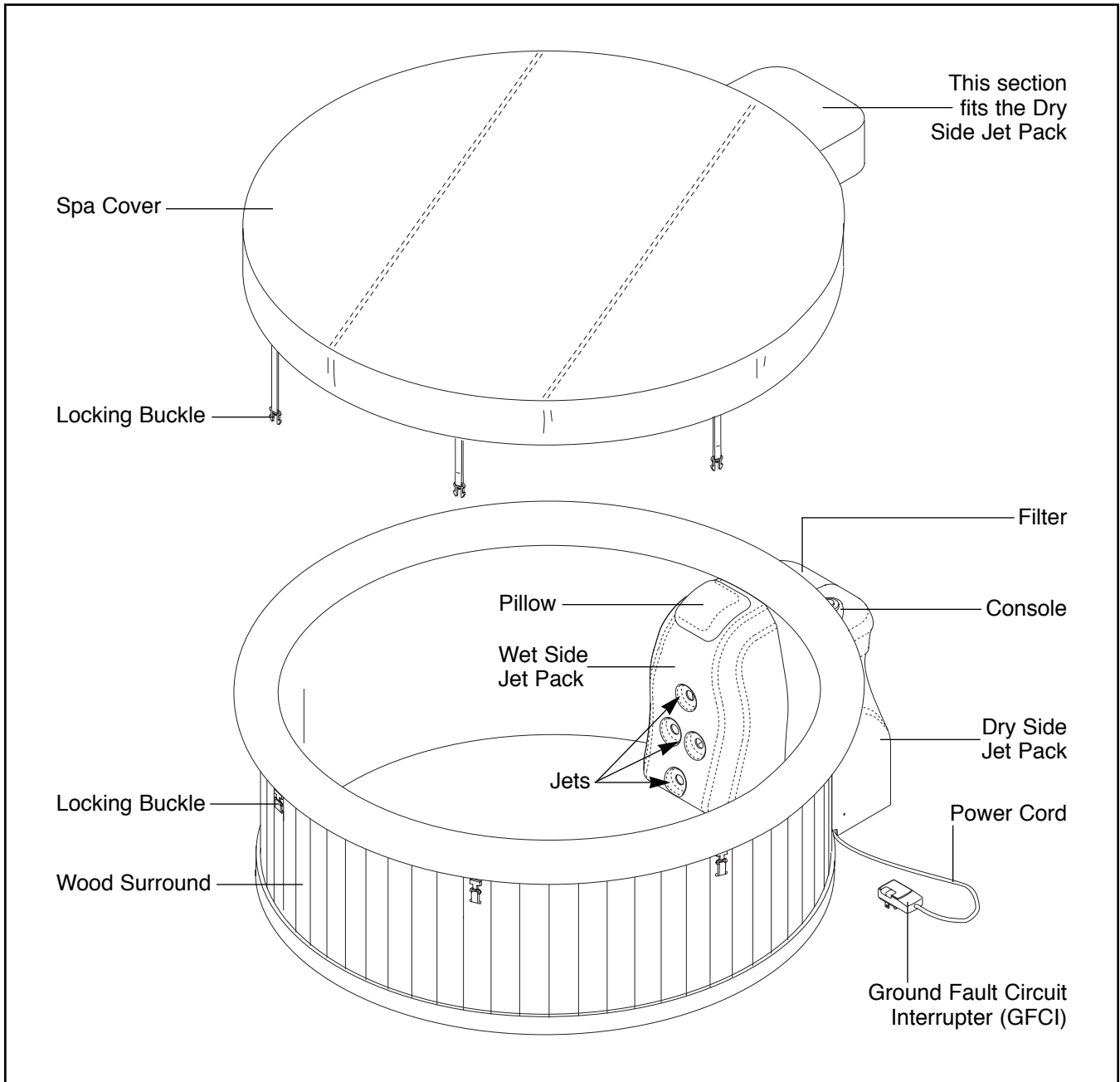
# Before You Begin

Thank you for selecting the IMAGE® RENEW 815. The innovative RENEW 815 offers the features and quality of a traditional hot tub at an affordable price. Best of all, the RENEW 815 is fully portable, so you can take it wherever there is an electrical outlet. The RENEW 815 allows you to relax and unwind in the comfort of your own home.

**For your benefit, read this manual carefully before using the IMAGE® RENEW 815.** If you have additional questions, please call our Customer Service

Department toll-free at 1-800-999-3756, Monday through Friday, 6 a.m. until 6 p.m. Mountain Time (excluding holidays). To help us assist you, please note the product model number and serial number before calling. The model number is IMHS81590. The serial number can be found on a decal attached to spa jet unit (see the front cover of this manual).

Before reading further, please familiarize yourself with the parts that are labeled in the drawing below.



# Choosing a Location for the Hydrotherapy Spa

There are many factors to consider when choosing a location to set up the RENEW 815. These factors vary depending on whether you use the RENEW 815 inside or outside. We have listed several factors you may wish to consider as you decide where you want to use the RENEW 815.

## If you set up the RENEW 815 inside:

1. The RENEW 815 will increase the level of humidity in your home. The location you choose should be well ventilated. You may need to install a ventilation fan or use a dehumidifier.
2. The location must be close to an electrical outlet. **An extension cord cannot be used with the RENEW 815.**
3. The RENEW 815 should be close to a source of water.
4. Do not use the RENEW 815 on carpet or other material that may be damaged by moisture. We recommend that you place the RENEW 815 on a water- and stain-resistant, non-slip surface with a floor drain for any water that may splash from the RENEW 815.
5. Be sure that the location you choose is stable. It must be able to support the weight of the RENEW 815 when it is filled with water, plus the weight of the occupants. The RENEW 815 weighs approximately 2,350 pounds when filled with water.
6. Do not use the RENEW 815 above a finished living area, due to the risk of water damage.
7. Be sure that there is room around the RENEW 815 to permit servicing of the unit. The diameter of the tub is 63". You should allow for this size, plus the size of the spa jet unit plus room to remove the cover, when choosing the location.
8. Be sure to note any other considerations, such as aesthetics or privacy concerns, that may affect the safety or enjoyment of using the RENEW 815.

## If you set up the RENEW 815 outside:

1. You should check your local building codes concerning the use of outdoor spas.
2. The location must be close to an electrical outlet. **An extension cord cannot be used with the RENEW 815.**
3. The RENEW 815 should be close to a source of water.
4. We recommend that you place the RENEW 815 on a water and stain-resistant, non-slip surface.
5. Be sure that the location you choose is stable. It must be able to support the weight of the RENEW 815 when it is filled with water, plus the weight of the occupants. The RENEW 815 weighs approximately 2,350 pounds when filled with water.
6. Think about environmental factors, such as rain, wind, shade, sunlight, and so forth.
7. You should be able to monitor the use of the RENEW 815 from your home, to prevent unauthorized use by children.
8. Be sure that there is room around the RENEW 815 to permit servicing of the unit. The diameter of the tub is 63". You should allow for this size, plus the size of the spa jet unit plus room to remove the cover, when choosing the location.
9. Be sure to note any other considerations, such as aesthetics or privacy concerns, which may affect the safety or enjoyment of using the RENEW 815.

# Assembly

**Before beginning assembly, carefully read the following information and instructions:**

- Place all parts in a cleared area and remove the packing materials; do not dispose of the packing materials until assembly is completed.

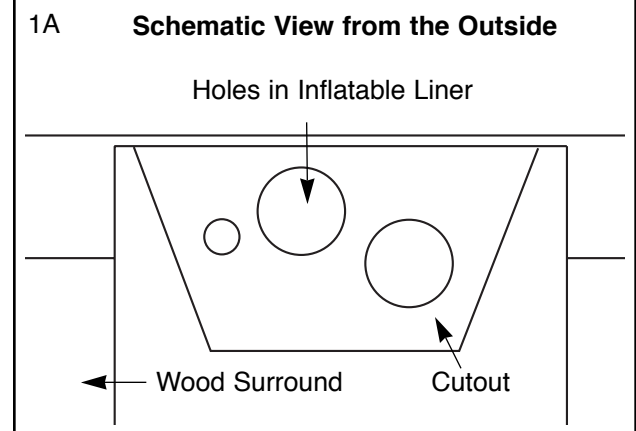
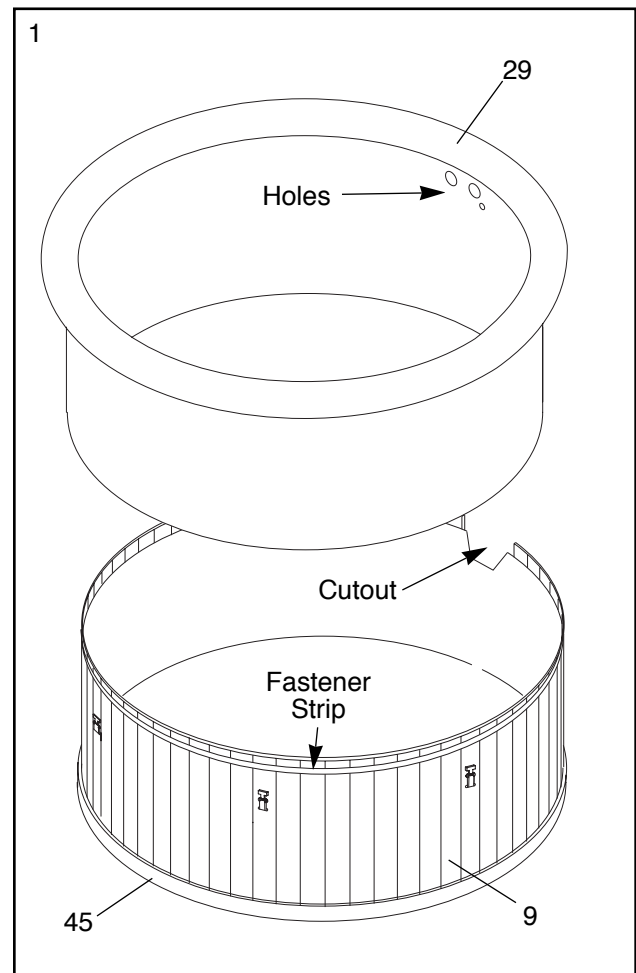
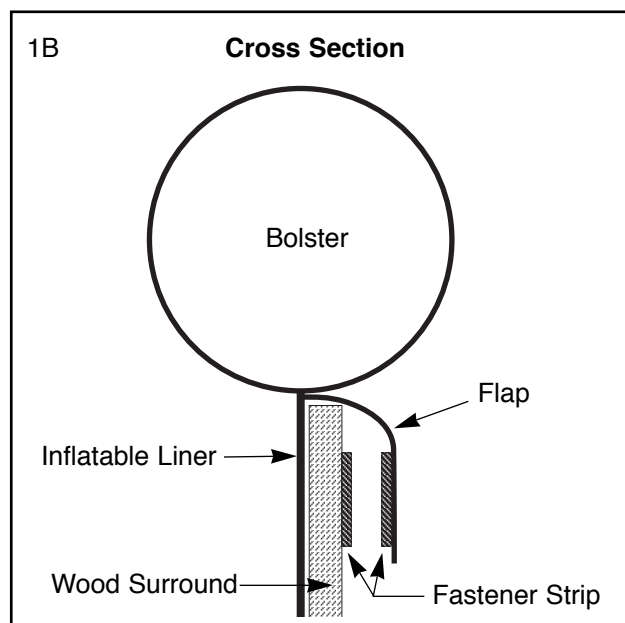
- Assembly requires the included air pump.
- Read each assembly step before you begin.
- During assembly, make sure that all parts are oriented as shown in the drawings.

**1. Before beginning assembly, be sure that you have read and understand the information in the box above and on the previous page.**

Place the Surround Bottom (45) and the pre-attached Spa Surround (9) on the ground in the location chosen for assembly. Unfold the Spa Surround until it is round.

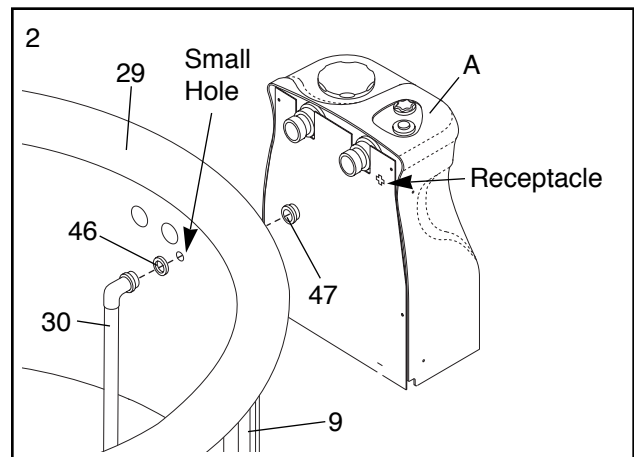
Open the Inflatable Liner (29). Lay the floor (the side with the triangular pattern) of the Inflatable Liner on the bottom of the Spa Surround (9). Pull the liner wall up, making sure that the three holes in the Liner position the three holes in the cutout in the Spa Surround (see **drawing 1A**).

Attach the flap on the top edge of the Inflatable Liner (29) to the fastener strip on the edge of the wood surround (see **drawing 1B**). Make sure that you pull the flap tight as you go around. Start the flap where the fastener strip starts. Make sure all three holes in the Inflatable Liner are visible in the cutout space in the Spa Surround (9), as shown in drawing 1A.

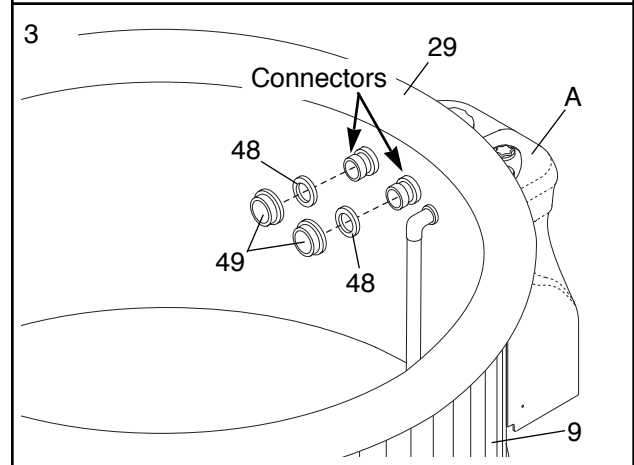


2. Orient the dry side jet pack (A) as shown and position it next to the three holes in the Inflatable Liner (29).

Attach the Temperature Probe Assembly (30) to the **small** hole in the Inflatable Liner (29). To do this, place the Temperature Probe Gasket (46) over the Probe connector threads. Insert the wire (not shown) through the hole, then push the Temperature Probe through the hole. Make sure the threads on the connector have been pushed fully through the vinyl liner. Thread the Temperature Probe Nut (47) onto the connector and make sure it is tight. Connect the wire from the Temperature Probe to the receptacle on the dry side jet pack (A).



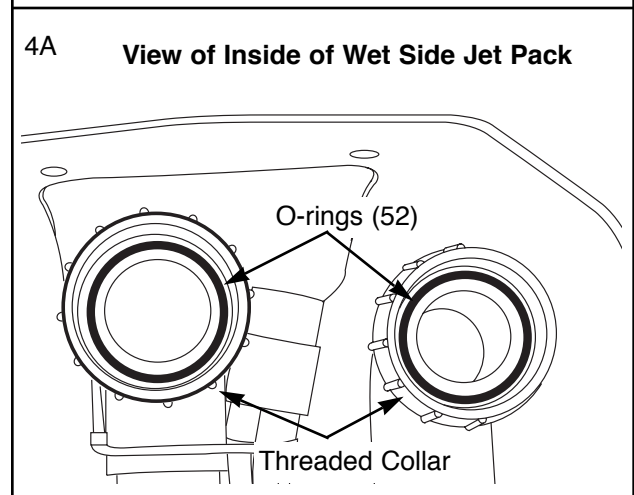
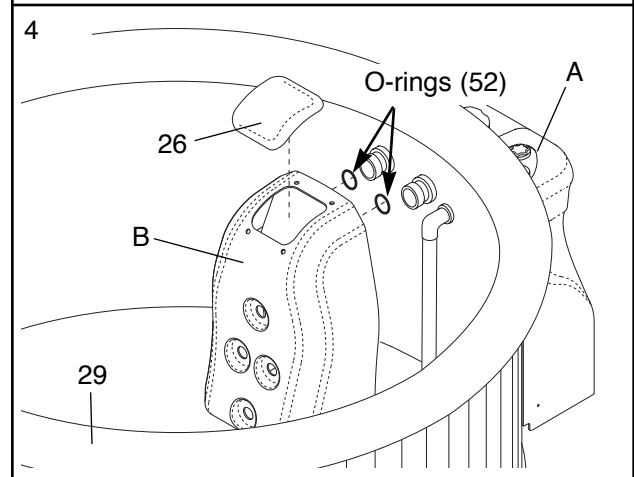
3. Move the dry side jet pack (A) up against the wall of the tub. Pull the two connectors on the dry side jet pack through the large holes in the Inflatable Liner (29). Push a Wet Side Gasket (48) onto each connector. Thread a Wet Side Nut (49) onto each connector and make sure it is tight.



4. Position the wet side jet pack (B) as shown. Place an O-ring (52) in the groove of each connector on the wet side jet pack. **Note: Make sure the O-rings are placed securely in the groove (see drawing 4A).**

Attach the threaded collar on the right side (as seen on drawing 4A) of the wet side jet pack (B) to the corresponding connector on the dry side jet pack (A). Attach the left side in the same manner. **Note: If the threaded collars are not tightened fully, the spa will not function.**

Position the Pillow (26) over the hole on the top of the wet side jet pack (B). Push the fasteners on the Pillow through the appropriate holes in the wet side jet pack.





- Attach the nozzle on the air pump to the valve on the floor of the Inflatable Liner (29). Use the air pump to fill the bottom of the Inflatable Liner with air. **Be extremely careful not to puncture the Liner. You will need to operate the pump by hand for this step.**

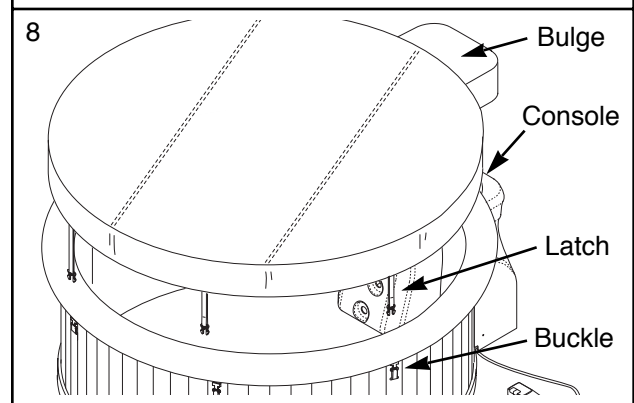
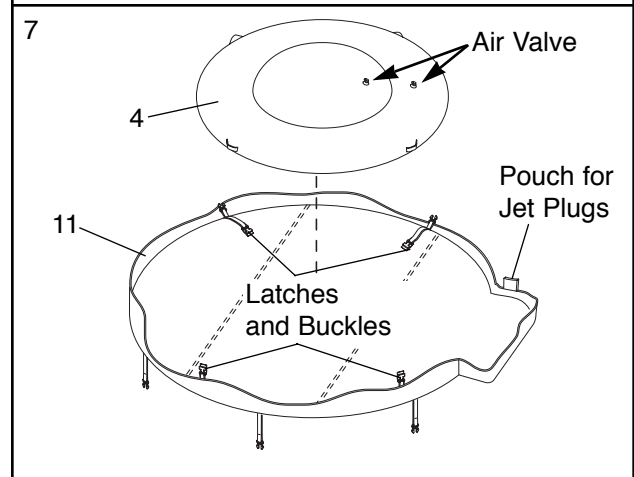
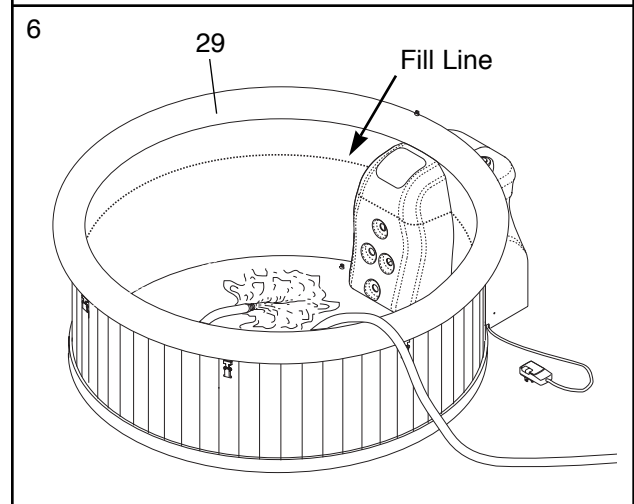
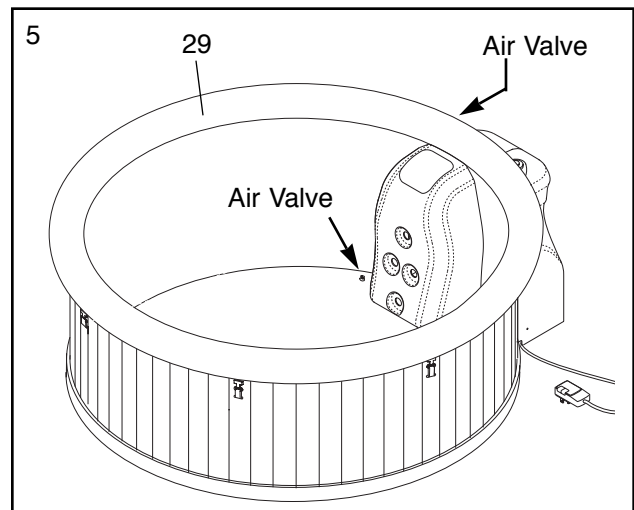
Attach the nozzle on the air pump to the valve on the bolster of the Inflatable Liner (29). Fill the bolster until there are no wrinkles left.

- Before you fill the RENEW 815 with water, make sure it is in the position you want, and that it can easily be serviced. Also, make sure you can easily remove the cover. Once the RENEW 815 is filled with water, it will need to be drained to be moved.

Using a garden hose or other clean water source, begin filling the RENEW 815 until you have 2 to 3 inches of water in the spa. **At this point it is very important to smooth out any wrinkles in the Inflatable Liner (29). It is normal to have a few wrinkles, but make sure you smooth out as many wrinkles as possible from the sides and the bottom of the Liner.**

When most of the wrinkles are gone, keep filling the spa until the water reaches the fill line. **Do not overfill the RENEW 815. After the RENEW 815 is full, you must prime the spa jet unit before using the RENEW 815 (see PRIMING THE SPA JET UNIT on page 10). Note: Prime the jet unit before performing step 6.**

- Use the air pump to fill both chambers of the Inflatable Cover (4) with air. Slide one of the straps on the inside of the Spa Cover (11) through one of the loops on the Inflatable Cover. Attach the latch on the strap to the buckle on the other end. Attach the other three straps on the inside of the Spa Cover through the loops on the Inflatable Cover in the same manner.
- Place the Spa Cover over the spa and line up the bulge on the Inflatable Cover with the Console on the dry side jet pack. Snap each of the six latches on the Spa Cover into the buckles on the wood surround.



# Using the Hydrotherapy Spa

The RENEW 815 is designed for up to three adults. The RENEW 815 holds 268 gallons of water and offers an automatic, programmable heating (70°F to 104°F) and filtration system.

The guidelines below explain how to properly use the RENEW 815. Follow these guidelines to maintain the RENEW 815 for your long-term enjoyment.

## PRIMING THE SPA JET UNIT

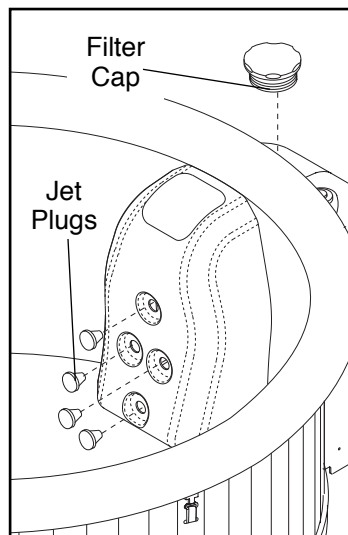
The water pump in the spa jet unit must be primed before you use the RENEW 815 the first time. You must also prime the pump before using the unit each time you re-fill the RENEW 815, and each time the filter is cleaned.

To prime the spa jet unit, install the provided jet plugs into the four hydrotherapy jets. Remove the filter cap.

Fill the filter housing with water. Note: Leave the filter in the housing while filling with water. Replace and tighten the filter cap tightly.

Remove the jet plugs and store them in the pouch inside the cover.

**IMPORTANT: The spa jet unit may be seriously damaged if the pump is not properly primed, or if the filter cap is not replaced and fully tightened.**



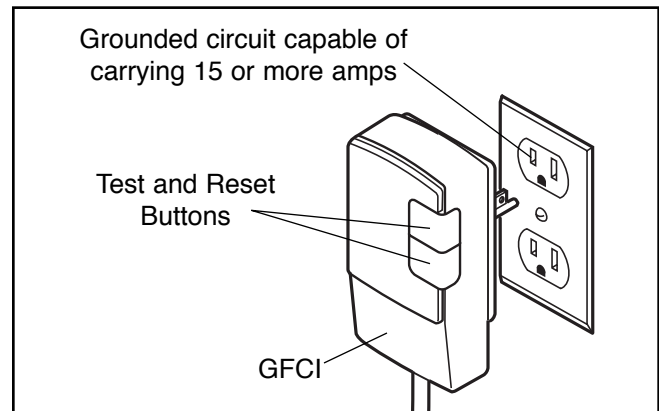
## PLUGGING IN THE RENEW 815

Once the RENEW 815 is filled with water up to the fill line, and the pump has been primed, the power cord can be plugged in and the spa jet unit can be turned on. Note: The first time the power cord is plugged in, the spa jet unit will turn on automatically after a 5 to 10 second delay.

When connecting the power cord, plug the power cord directly into a grounded circuit capable of carrying 15 or more amps. No other appliance should be on the same circuit. Replace the power cord immediately, if it becomes damaged.

The power cord is equipped with a Ground Fault Circuit Interrupter (GFCI), located at the end of the

power cord. You should always test the GFCI before using the RENEW 815.



First, turn on the RENEW 815 by pressing the power button on the console. Once the unit is running, press the GFCI "test" button. The RENEW 815 should shut off. Press the "reset" button. The RENEW 815 should resume normal operation. If the RENEW 815 continues to run after the "test" button is pressed, then the GFCI is damaged. Do not use the RENEW 815 until the GFCI has been repaired or replaced by a qualified electrician.

## STARTING THE RENEW 815

Once you have tested the GFCI, you should verify the water flow from the pumping unit. Turn the console on (see USING THE CONSOLE on the next page). The pumping unit will heat the water as it pumps. Cover the RENEW 815 with the spa cover. **The spa cover must be tight.**

The temperature can be set or changed by the control on the console (see USING THE CONSOLE on page 12).

## TESTING AND TREATING THE WATER

The RENEW 815 comes with a starter chemical pack for maintaining the water in the spa. Disregard the directions on the individual packages of "QUICK pHix It DOWN" and "QUICK pHix It UP." However, the directions on the bottle of "Non-chlorine Shox" and "Bromine Base" are correct. **Always keep the chemicals away from children and pets.**

The first time you use the spa, you should test and treat the water. Once you have verified that the spa jet unit is functioning properly, and have allowed the water to circulate for a while, you should remove the spa cover and add 1/3 of the "Bromine Base" bottle, and 1/3 of the "Non-chlorine Shox" bottle to the water

in the spa. Allow the water to circulate for five minutes. You should now test the pH level of the water. Use the included test strips to check the pH of the water. Refer to the instructions on the test strip packaging to see how to use the test strips.

If the level is too low, add one teaspoon from one of the "QUICK pHix It UP" packets to the water. Let the water circulate through the spa jet unit for five minutes. Test the pH level again. Repeat until the pH level is correct.

If the level is too high, add one teaspoon from the "QUICK pHix It DOWN" packets to the water. Let the water circulate through the spa jet unit for five minutes. Test the pH level again. Repeat until the pH level is correct.

Replace the spa cover and allow the water to continue to heat.

See WATER CHEMISTRY on page 13 for information concerning proper water maintenance.

### THE HEATING SYSTEM OF YOUR SPA

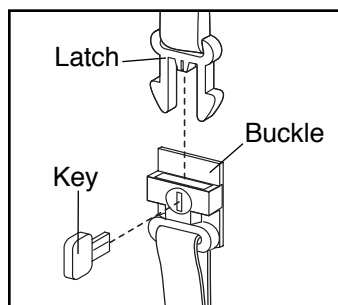
The heating system in your spa is designed to be economical for long-term use. Combined with the fact that water absorbs heat very slowly, the effect is that it will take 1 to 3 days (depending on the room temperature) to heat the water in the spa. The good news is that once the water is heated, it will maintain its temperature for a relatively low cost. You can reduce the waiting period by filling the spa with hot water, but be aware that the spa holds more water than your water heater. Make sure the spa cover is on and that it is tight while the water is heating. The chart below shows approximate heating times for different air temperatures with a water temperature of 60° to 64°F.

<u>Air Temperature</u>	<u>Heating Time</u>
At least 70°F	20 to 28 hours
At least 50°F	28 to 48 hours
At least 30°F	48 to 72 hours

### SECURING THE SPA COVER

The spa cover can be secured by snapping the latches on the spa cover into the buckles on the wood surround.

The buckles can be locked by inserting the key and turning it clockwise a quarter



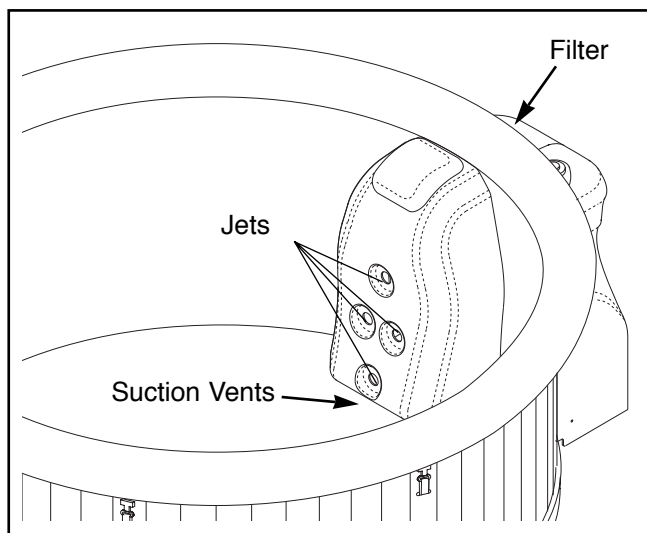
turn. To unlock the buckles, insert the key and turn it counterclockwise a quarter turn.

**Always keep the buckles locked when the spa is not in use. Keep the keys in a safe place, out of the reach of children.**

### SPA JET UNIT OPERATION

The spa jet unit features four hydro-therapy jets, two suction inlets, and a filter housing.

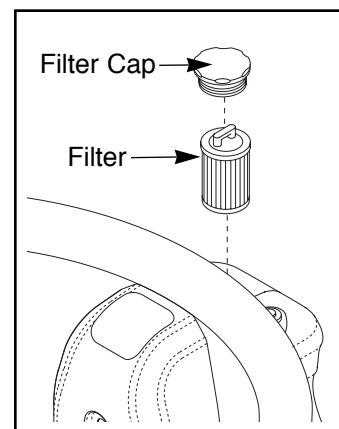
The **four hydro-therapy jets**, located on the front of the wet side jet pack, focus the water massage on your back.



The **suction vents**, located on the bottom side of the wet side jet pack, pull the water into the spa unit in order to operate the system. The suction covers should **always** be in place over the suction vent. **Never operate the RENEW 815 without the suction covers in place.**

### CLEANING THE FILTER

The **filter** is located on the right side of the dry side jet pack, under the filter cap. The filter can be removed for cleaning and replacement by removing the filter cap and then pulling the filter from the spa jet unit. **IMPORTANT: You must prime the spa jet unit (see instructions earlier in this section) each time you have cleaned the filter.**



The spa jet unit features an automatic filter cycle and freeze protection. If the spa jet unit has not been operated for three hours, the pump will begin circulating the water for twenty minutes to filter any impurities. Also, if the water temperature falls below 40°F, the pump will begin circulating and heating the water to prevent the water from freezing.

### DRAINING THE RENEW 815

To drain the RENEW 815, you must use a garden hose to siphon the water. Place one end of the hose in the RENEW 815 and hold it in front of a hydrotherapy jet until there is a flow of water coming out of the hose. **Turn off the spa unit and unplug the power cord. The unit will be damaged if it is run without water circulating.** Be sure the end of the hose in the RENEW 815 is on the floor of the spa.

### DRAINING THE PUMP

After the RENEW 815 is drained (see DRAINING THE RENEW 815 above), the pump in the dry side jet pack should also be drained if the RENEW 815 will be stored for more than thirty days, or if it may be exposed to freezing temperatures. To drain the pump, follow these steps:

- Remove the pillow from the wet side jet pack
- Unscrew the two threaded collars (see assembly step 4) connecting the dry side jet pack to the wet side.
- Remove the filter cap
- Remove the six screws securing the dry side shell (15) to the dry side jet pack.
- Locate the pump inside the spa jet unit.
- The nut on one side of the pump must be unscrewed and the unit must be tipped on its side
- Rock the spa jet unit slightly, until all the water has drained from the pump.
- Replace the nut on the pump
- Replace the dry side shell, filter cap and pillow

### USING THE CONSOLE

Refer to the console diagram at the right. The function of each console control is explained below:

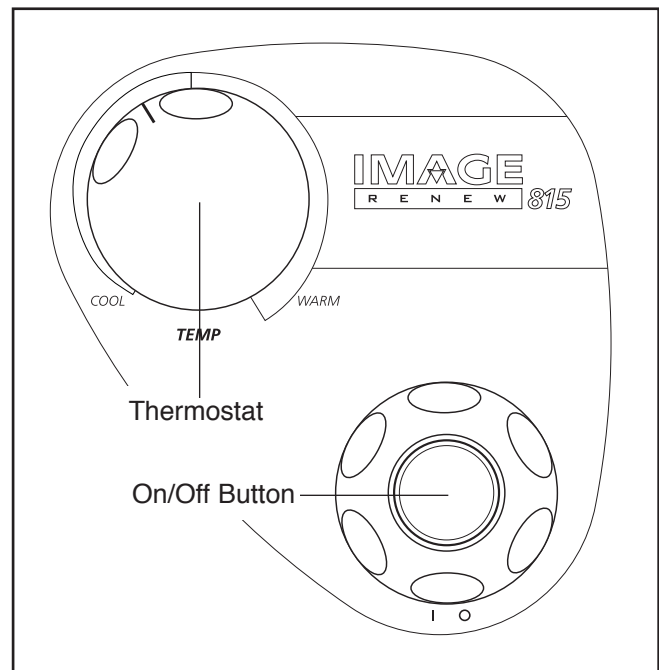
**Thermostat:** Controls the temperature of the water. The thermostat can be set to heat the water from 70°F to 104°F. Use a medical or other accurate thermometer to check the temperature of the water.

**On/Off Button:** Turns the spa jet unit on and off and changes the operation mode of the spa. The spa has three modes of operation:

- Auto Heat
- Soak
- Hydrotherapy

When your spa is in the auto heat mode, pushing the button once will cause it to go into soak mode for 20 minutes. Pushing the button twice will cause the spa to go into hydrotherapy mode (the jets will be running) for 20 minutes. If your spa is not heating, pushing the button once will cause it to go into hydrotherapy mode. Pushing the button again will switch to soak mode.

The spa jet unit also features an automatic mode, which heats and filters the water when the spa is left unattended. When the spa jet unit is first plugged in, or if the on/off button on the console has not been pressed for longer than three hours, the automatic



mode will begin filtering or heating the water, as needed. **Note: To keep the filter and heat cycles from running, the power cord must be unplugged.**

**The On/Off button has a built-in delay factor. The spa will turn on 5 to 10 seconds after the button is pressed.**

# Maintenance

## CLEANING THE INFLATABLE SPA LINER

The liner should be cleaned with a mild soap solution. Do not use solvents. The liner should always be clean and dry before being moved or stored.

## CHECKING AND CLEANING THE FILTER

The filter should be checked periodically for build-up of dirt and oil. If the filter needs to be cleaned, follow the steps below:

1. Turn off the power.
2. Remove the cover from the filter. Then pull the filter out of the unit.
3. Check the filter for any dirt or debris. If the filter needs to be cleaned, rinse the filter with a hose. If the filter still is dirty, you will need to soak it in a cleaning solution which can be obtained from a pool and spa supply store.
4. Inspect the filter for damage. Replace the filter if there are any signs of damage.
5. Re-insert the cleaned filter and re-attach the cover to the spa jet unit.

## MAINTAINING THE SPA COVER

The spa cover should be cleaned monthly. Remove the inflatable cover from the spa, then hang the spa cover over a clothes line and spray it with a hose. Leave the cover on the clothes line until it is fully dry.

## WINTER USE AND CARE

The RENEW 815 is designed for year-round use. If you decide to store the RENEW 815 for the winter, store it in a warm, dry location. (See DRAINING THE RENEW 815 and DRAINING THE PUMP on page 12.)

## WATER CHEMISTRY

The RENEW 815 comes with a starter chemical pack for maintaining the water in the spa. (See TESTING AND TREATING THE WATER on page 10.) Additional chemicals can be purchased at a pool and spa supply store.

**CAUTION: The chemicals used to maintain the pH balance of the water and to sanitize the water can be dangerous. Always follow these basic guidelines when handling the chemicals:**

1. **Always read and follow the directions on the label, unless directed otherwise.**
2. **Never mix different chemicals.**
3. **Do not exceed the recommended amounts—follow the directions on the label closely.**

4. **Keep all chemicals out of the reach of children and pets.**
5. **Keep all containers closed tightly when not in use.**
6. **Never add water to the chemicals—always add the chemicals to the water as directed.**
7. **Always store chemicals in a cool, dry place.**
8. **Always keep chemicals away from children and pets.**

## MAINTAINING THE PROPER PH BALANCE

The pH factor is a measure of relative acidity or alkalinity in the water. It is measured on a scale of 1 to 14. Pure water has a value of 7, which is neutral. Any value above 7 is alkaline, and any value below 7 is acidic. You should maintain a slightly alkaline pH level, between 7.2 and 7.8, in the RENEW 815.

Severe problems can occur when the pH balance is not maintained within this range. If the pH level exceeds 7.8, dissolved minerals can build-up and clog the plumbing in the spa jet unit. If the pH level falls below 7.2, the acid level in the water will begin to corrode the metal parts in the spa jet unit. Also, the sanitation agents in the water will not be effective if the pH level is not properly maintained. Damage caused by improper pH levels is not covered under the warranty.

To maintain the proper pH level, you should test the pH of the water regularly. To test the water you can either purchase additional test strips or purchase a pH test kit at a pool and spa supply store. The pH reading should be between 7.2 and 7.8. If the level is too low, add a pH increaser (usually soda ash). If the level is too high, add a pH reducer (usually sodium bisulfate). Test the water again after five minutes. See the instructions with your test strips or pH test kit for additional information about testing and adjusting the pH.

## SANITIZING THE RENEW 815

Please refer to your local pool and spa supplier for information concerning which chemicals you should use in your area to sanitize the spa.

The most common sanitizing agent is a solid bromine concentrate. The amount required varies according to several factors, such as user load, temperature, water conditions, and so forth.

Proper water maintenance is a fairly complex process. We recommend that you contact your local pool and spa supplier for information on how you should best accomplish this.

# Trouble-shooting

Most problems can be solved by following the simple steps below. Find the symptom that applies, and follow the steps listed. If further assistance is needed, call our Customer Service Department toll-free at 1-800-999-3756, Monday through Friday, 6 a.m. until 6 p.m. Mountain Time.

## 1. SYMPTOM: THE SPA WILL NOT OPERATE

- a. Check the power cord. The power cord must be plugged into a grounded outlet (see PLUGGING IN THE RENEW 815 on page 10).
- b. Check to see if the GFCI breaker is tripped, or was not turned on. Reset the GFCI breaker.
- c. Check to see that the temperature probe wire is connected to the cover panel on the dry side.
- d. Check that the pump is maintaining its prime.
- e. The spa pump will not turn on until 5-10 seconds after the On/Off button has been pressed.

## 2. SYMPTOM: THE CIRCUIT BREAKER OR GFCI BREAKER TRIPS WHILE THE SPA IS OPERATING

- a. Reset the circuit breaker. If the circuit breaker trips again, contact a qualified electrician for service.

## 3. SYMPTOM: THE PUMP HUMS

- a. The filter may be dirty or damaged. Remove the filter from the filter housing and clean or replace the filter.
- b. The pump may have a foreign object stuck in the impeller. Contact our customer service department.
- c. The pump may have a loose wire connection. Contact our customer service department.

## 4. SYMPTOM: THE PUMP HUMS BUT DOES NOT ROTATE

- a. The pump may be jammed. Contact our customer service department.

## 5. SYMPTOM: THE PUMP IS NOISY WHILE OPERATING

- a. There may be debris in the pump. Contact our customer service department.
- b. The pump may have a bad bearing. Contact our customer service department.

## 6. SYMPTOM: THE WATER DOES NOT HEAT

- a. The heater is attached to the pump in the spa jet unit. If the pump is operating, the water should heat. Cover the RENEW 815 with the spa cover. **The spa cover must be tight.** The water will heat at a rate of 1.3°F an hour. If you are using the spa indoors, and the room temperature is maintained at 70°F, it will take approximately 28 to 34 hours for the water to reach the set temperature.
- b. If you are using the RENEW 815 outdoors, it may take longer for the water to heat. The chart below shows approximate heating times for different room temperatures when the water temperature is 60° to 64°F.

<u>Air Temperature</u>	<u>Heating Time</u>
At least 70°F	20 to 28 hours
At least 50°F	28 to 48 hours
At least 30°F	48 to 72 hours

If the water still has not heated after three days, contact our customer service department.

## 7. SYMPTOM: THE PUMP LEAKS BETWEEN THE PUMP AND THE MOTOR

- a. The seal in the pump needs to be replaced, contact our customer service department.

## 8. SYMPTOM: THE WATER PULSATES OR THERE IS MINIMUM WATER FLOW

- a. Adjust the water level. This usually occurs only when the water level is low. Add water until the filter and jets are covered.
- b. This problem is caused by excess air in the pump circulation system. Check to see if the primer cap is fully tightened. Prime the pump again and fully tighten the primer cap (see PRIMING THE SPA JET UNIT on page 10).
- c. Check that the thru the wall connectors are tight.

**9. SYMPTOM: THE SPA JET UNIT CAVITATES DURING USE**

- a. Adjust the water level This usually occurs only when the water level is low. Add water until the filter and jets are covered.
- b. This problem is caused by excess air in the pump circulation system. Check to see if the primer cap is fully tightened. Prime the pump again and fully tighten the primer cap (see PRIMING THE SPA JET UNIT on page 10).
- c. Check that the thru the wall connectors are tight.

**10 SYMPTOM: THE WATER IS NOT BEING CLEANED BY THE FILTER**

- a. Check to see if the filter is in place. Clean the filter if it is dirty.
- b. Check the chemical balance of the water. If the pH is incorrect, the sanitizing agents will not function properly.

**11. SYMPTOM: THE SPA JET UNIT CONTINUES TO RUN AFTER IT HAS BEEN SHUT OFF**

- a. The spa jet unit features an automatic mode, which heats and filters the water when the spa is left unattended. When the spa jet unit is first plugged in, or if the on/off button on the console has not been used for longer than twenty minutes, the automatic mode will begin filtering or heating the water, as needed. To keep the filter and heat cycles from running, the power cord must be unplugged. **Note: If the unit is to be kept outdoors in cold weather, you must allow the spa to maintain a safe temperature**

**by running in automatic mode. Allowing the spa jet unit to freeze will damage the unit. If you do not want to use the spa during the winter, store it in a warm, dry location (see WINTER USE AND CARE on page 13).**

**12. SYMPTOM: THE WATER LEVEL DROPS**

- a. Some water loss due to evaporation is normal. If rapid water loss occurs, or if you notice wetness on the floor around the RENEW 815, then the liner may have a leak. Locate the leak, and patch it using a pool patch kit that you can purchase at any pool and spa supply store.
- b. A clamp or seal inside the spa jet may be loose. Check the floor around the spa jet unit for excess water, and watch the spa jet unit while it is operating to see if water drips from the spa jet unit housing. If you can identify the location of the leak inside the spa jet unit, tighten the clamp or replace the damaged seal.

**13. SYMPTOM: THE INFLATABLE SPA LINER LOSES AIR**

- a. Over time, some air loss is normal. If rapid air loss occurs, then the liner may have an air leak. Locate the leak, and patch it using a vinyl patch kit that you can purchase at any pool and spa supply store.

**14. SYMPTOM: THE SPA PUMP LOSES ITS PRIME**

- a. Make sure the threaded collars connecting the dry side jet pack to the wet side jet pack are completely tight.

## Ordering Replacement Parts

To order replacement parts, simply call our Customer Service Department toll-free at 1-800-999-3756, Monday through Friday, 6 a.m. until 6 p.m. Mountain Time (excluding holidays). To help us assist you, please be prepared to give the following information when calling:

1. The MODEL NUMBER of the product (IMHS81590)
2. The NAME of the product (IMAGE® RENEW 815)
3. The SERIAL NUMBER of the product (see the front cover of this manual)
4. The KEY NUMBER and DESCRIPTION of the part(s) (see the PART LIST/EXPLODED DRAWING attached to the center of this manual).

## Limited 90 Day Massage Spa Warranty

ICON Health & Fitness, Inc. (ICON), warrants this product to be free from defects in workmanship and material, under normal use and service conditions, for a period of 90 days from the date of purchase. Specifically covered under this warranty are the spa shell, the plumbing, the components, and the wood or tile exterior. This warranty extends only to the original purchaser. ICON's obligation under this warranty is limited to replacing or repairing, at ICON's option, the product at one of its authorized service centers. All products for which warranty claim is made must be received by ICON at one of its authorized service centers with all freight and other transportation charges prepaid, accompanied by sufficient proof of purchase. All returns must be pre-authorized by ICON. This warranty does not extend to any product or damage to a product caused by or attributable to freight damage, abuse, misuse, improper or abnormal usage, or repairs not provided by ICON authorized service personnel, to products used for commercial or rental purposes, or to products used as store display models. Specifically excluded are damages caused by or attributable to the following incidents: any damage to the wood exterior resulting from improper maintenance, or any damage to the wood or tile exterior attributable to freight mishandling; damage resulting from improper winterization; damage to the spa shell resulting from improper chemical treatment, damage to the spa shell resulting from exposure to extreme temperatures, or damage to the spa shell resulting from exposure to direct sunlight and ultraviolet rays while the spa is empty; damage to the pump, motor, plumbing, and components due to improper maintenance, chemical treatment, or exposure; damage resulting from failure to properly follow user's manual installation, operating, or maintenance instructions. Also excluded are consumable components, including but not restricted to headrests, filter cartridges, and light bulbs. No other warranty beyond that specifically set forth above is authorized by ICON.

ICON is not responsible or liable for indirect, special or consequential damages arising out of or in connection with the use or performance of the product or damages with respect to any economic loss, loss of or damage to property including water damage, loss of revenues or profits, loss of enjoyment or use, costs of removal, installation or other consequential damages of whatsoever nature. Some states do not allow the exclusion or limitation of incidental or consequential damages. Accordingly, the above limitation may not apply to you.

The warranty extended hereunder is in lieu of any and all other warranties and any implied warranties of merchantability or fitness for a particular purpose is limited in its scope and duration to the terms set forth herein. Some states do not allow limitations on how long an implied warranty lasts. Accordingly, the above limitation may not apply to you.

This warranty gives you specific legal rights. You may also have other rights which vary from state to state.

**ICON HEALTH & FITNESS, INC., 1500 S. 1000 W., LOGAN, UT 84321-9813**



# Remove this Part List/Exploded Drawing from the manual. Save this Part List/Exploded Drawing for future reference.

## Protect Your Spa Investment!

Based on customer input, we have determined the key areas you need to be aware of to get maximum enjoyment from your spa. Please review this summary carefully. Refer to the user's manual for further information if needed.

### Location of the Spa

- The diameter of the tub is 69"
- Make sure there is room for the spa in your chosen location.
- Make sure it is easy to get in and out of the spa
- Make sure you can access the mechanical components
- Make sure the room can handle the extra humidity released by the spa

See the section "Choosing a Location for the Hydrotherapy Spa" in the user's manual for further important information.

### Plugging in the Spa

- Make sure your spa is plugged in to a dedicated circuit capable of carrying at least 15amps
- Make sure no other electrical appliances or lights are plugged in to the same circuit
- It may be necessary to install a new circuit with its own breaker
- Do **NOT** use an extension cord of any kind with the spa.

See the section "Using the Hydrotherapy Spa" in the user's manual for further important information.

### Cleaning and Maintenance

To ensure your long-term enjoyment, the spa requires a small amount of attention. The most important factors are:

- Clean the filter on a weekly basis
- Replace the filter monthly or when necessary
- Keep the spa shell clean
- Maintain proper water chemistry

See the section "Maintenance" in the user's manual for further important information.

### Heating the Spa

The heating system in your spa is designed to be economical for long-term use. Combined with the fact that water absorbs heat very slowly, the effect is

that it will take 1 to 3 days (depending on the room temperature) to heat the water in the spa. The good news is that once the water is heated, it will maintain its temperature for a relatively low cost. You can reduce the waiting period by filling the spa with hot water, but be aware that the spa holds more water than your water heater. Make sure the spa cover is on, and that it is tight, while the water is heating. The chart below shows approximate heating times for different air temperatures with a water temperature of 60° to 64° F.

<u>Air Temperature</u>	<u>Heating Time</u>
At least 70°F	20 to 28 hours
At least 50°F	28 to 48 hours
At least 30°F	48 to 72 hours

### Water Chemistry

It is important to recognize that maintaining the correct water chemistry is a fairly complex process, because it depends on local water conditions and user load. Since water conditions vary greatly, it is necessary to consult your local pool and spa supply store to determine your personal needs.

See the section "Maintenance" in the user's manual for further important information.

### Quick Guide to Turning On the Spa

- Fill the spa with water
- Make sure cut-off valves on the pump are open
- Plug in the power cord with GFCI
- Press the ON/OFF button on the console
- Set the Air Control to the lowest setting
- When unit is running, press the "Test" button on the GFCI
- When the unit has shut off, press the "Reset" button
- Apply water chemicals as described in the user's manual
- Place the cover on the spa and make sure it is tight

### Customer Service

If you have any questions or if you encounter problems using your spa, please call our customer service department at 1-800-999-3756, Mon.–Fri., 6 a.m.–6 p.m. MST.

# PART LIST—Model No. IMHS81590

R0799A

Key No.	Qty.	Description	Key No.	Qty.	Description
1	1	Pressure Switch	33	2	1/4" Nylon Locknut
2	1	Pump Frame	34	1	3-1 Wire Harness
3	1	Temperature Probe High Limit	35	2	1/4" x 3/4" Bolt
4	1	Inflatable Cover	36	4	1/4" Flat Washer
5	6	#8 x 1/2" Screw	37	1	Thermostat Knob
6	1	Cover Panel	38	2	Wet Side Foot
7	1	Overlay	39	2	#8 x 1" Control Mounting Screw
8	1	Filter Cap	40	1	Heater Pump Gasket
9	1	Spa Surround	41	2	Wire Tie
10	4	Fixed Jet	42	5	Snap-in Fastener
11	1	Spa Cover	43	4	Filter Housing Screw
12	1	Heater Tail Piece Gasket	44	1	Index Washer
13	1	Filter Housing Assembly	45	1	Surround Bottom
14	1	Heater Assembly	46	1	Temperature Probe Gasket
15	1	Dry Side Shell	47	1	Temperature Probe Nut
16	1	Filter	48	2	Wet Side Nut
17	2	#10 x 1 1/4" Screw	49	2	Wet Side Gasket
18	2	Suction Cover	50	4	Rubber Foot
19	1	Wet Side Shell	51	4	Tek Screw
20	1	Pump Motor	52	2	O-ring
21	1	Heater Terminal Cover	#	1	Ground Wire
22	1	Heat Controller	#	1	Compression Fitting
23	1	Heater Wire Harness	#	1	Lit Pac
24	2	#10 Kep Nut	#	1	Water Treatment Kit
25	1	Electronic Control	#	1	Water Test Strip
26	1	Pillow	#	2	Key
27	4	Jet Plug	#	1	User's Manual
28	1	Tail Piece Assembly	#	1	Warning Sign
29	1	Inflatable Liner	#	1	Foot Pump
30	1	Temperature Probe Assembly	#	1	Video
31	1	On/Off Wire Harness	#	1	4" Blue Jumper Wire (male to male)
32	1	On/Off Switch Assembly			

Note: "#" indicates a non-illustrated part. Specifications are subject to change without notice.

**Note: Inside the shipping box, you will find a parts bag and a lit pack containing the following parts:**

### Lit Pack:

Key No.	Qty.	Description
#	1	Water Test Strip
#	1	User's Manual
#	1	Foot Pump
#	1	Video

### Parts Bag:

Key No.	Qty.	Description
27	4	Jet Plug
46	1	Temperature Probe Gasket
47	1	Temperature Probe Nut
48	2	Wet Side Nut
49	2	Wet Side Gasket
52	2	O-ring
#	2	Key

## Free Manuals Download Website

<http://myh66.com>

<http://usermanuals.us>

<http://www.somanuals.com>

<http://www.4manuals.cc>

<http://www.manual-lib.com>

<http://www.404manual.com>

<http://www.luxmanual.com>

<http://aubethermostatmanual.com>

Golf course search by state

<http://golfingnear.com>

Email search by domain

<http://emailbydomain.com>

Auto manuals search

<http://auto.somanuals.com>

TV manuals search

<http://tv.somanuals.com>