

READ BEFORE USE
LIRE AVANT UTILISATION
LEA ANTES DE USAR

Visit www.hamiltonbeach.com for our complete line of products and Use and Care Guides – as well as delicious recipes, tips, and to register your product online!

Rendez-vous sur www.hamiltonbeach.ca pour notre liste complète de produits et de nos manuels utilisateur – ainsi que nos délicieuses recettes, nos conseils et pour enregistrer votre produit en ligne !

¡Visite www.hamiltonbeach.com.mx para obtener nuestra línea completa de productos y las Guías de Uso y Cuidado, además de deliciosas recetas, consejos y para registrar su producto en línea!

Questions?

Please call us – our friendly associates are ready to help.
USA: 1.800.851.8900

Questions ?

N'hésitez pas à nous appeler – nos associés s'empresseront de vous aider.
CAN : 1.800.267.2826

¿Preguntas?

Por favor llámenos – nuestros amables representantes están listos para ayudar.
MEX: 01 800 71 16 100

Le invitamos a leer cuidadosamente este instructivo antes de usar su aparato.



**Hamilton
Beach®**

2-Way Brewer
Cafetière à double usage
Cafetera Doble

English	2
Français	17
Español	31

IMPORTANT SAFEGUARDS

When using electrical appliances, basic safety precautions should always be followed to reduce the risk of fire, electric shock, and/or injury to persons, including the following:

1. Read all instructions.
2. Do not touch hot surfaces. Use handles or knobs. Care must be taken, as burns can occur from touching hot parts or from spilled, hot liquid.
3. To protect against electric shock, do not place cord, plug, or coffeemaker in water or other liquid.
4. Close supervision is necessary when any appliance is used by or near children.
5. Allow to cool before putting on or taking off parts and before cleaning the appliance.
6. Coffeemaker must be operated on a flat surface away from the edge of counter to prevent accidental tipping.
7. Do not operate any appliance with a damaged cord or plug, or after the appliance malfunctions or has been damaged in any manner. Call our toll-free customer service number for information on examination, repair, or adjustment.
8. The use of accessory attachments not recommended by the appliance manufacturer may cause injuries.
9. Do not use outdoors.
10. Do not let cord hang over edge of table or counter or touch hot surfaces, including stove.
11. Do not place on or near a hot gas or electric burner, or in a heated oven.
12. The carafe is designed for use with this coffeemaker. It must never be used on a range top or in a microwave oven.
13. Do not set a hot carafe on a wet or cold surface.
14. Do not use a cracked carafe or one with a loose or weakened handle.
15. Do not clean carafe with cleansers, steel wool pads, or other abrasive materials.
16. Do not use appliance for other than intended use.
17. **WARNING:** To reduce the risk of fire or electric shock, do not remove the bottom cover of the coffeemaker. There are no user-serviceable parts inside. Repair should be done by authorized service personnel only.
18. To disconnect, turn any control to the OFF position and then remove plug from wall outlet.
19. Be certain carafe lid is securely in place during brew cycle and when pouring coffee. Do not use force when placing lid on carafe.

SAVE THESE INSTRUCTIONS!

Other Consumer Safety Information

This appliance is intended for household use only.

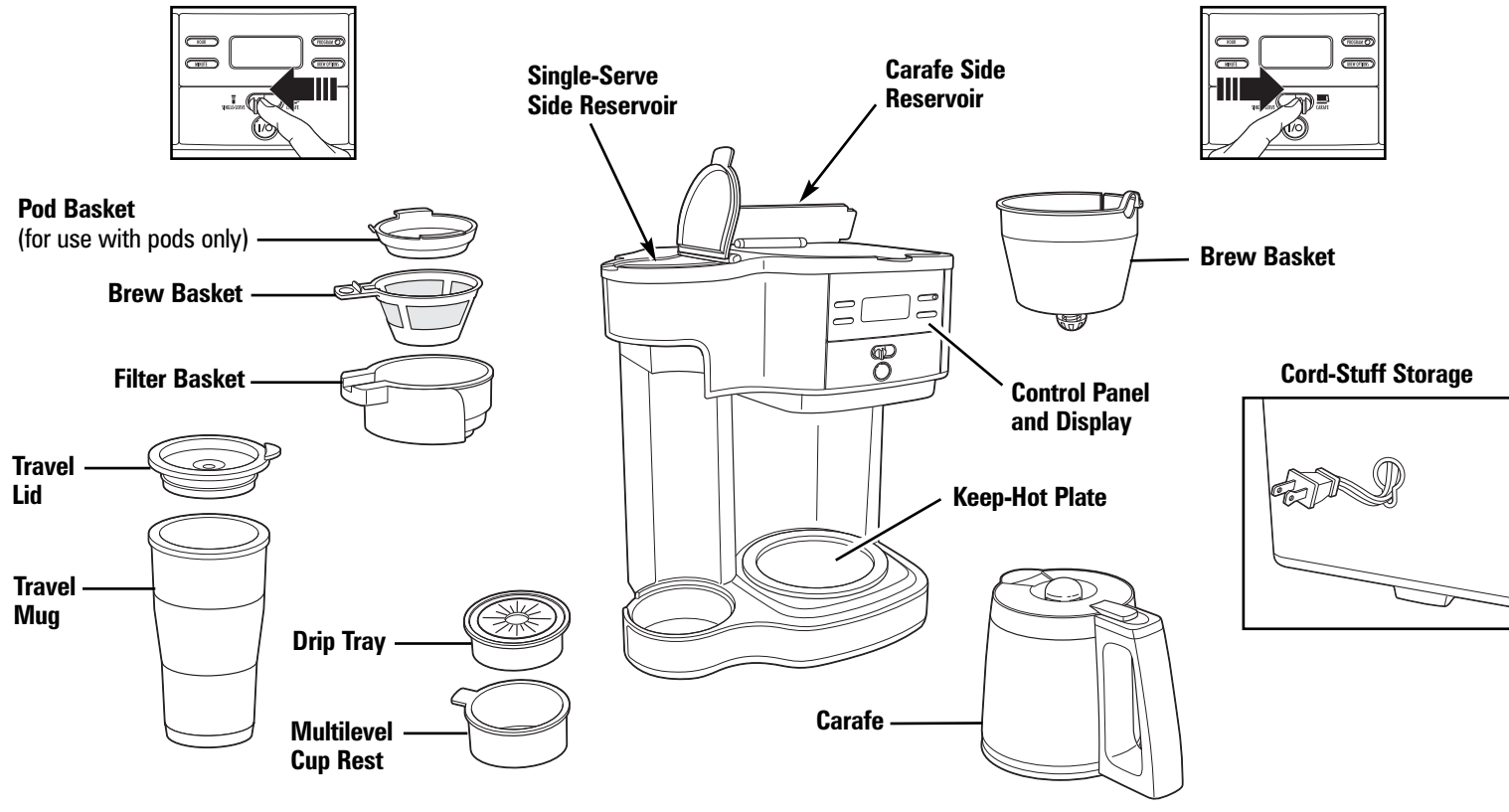
WARNING! Shock Hazard: This appliance has a polarized plug (one wide blade) that reduces the risk of electric shock. The plug fits only one way into a polarized outlet. Do not defeat the safety purpose of the plug by modifying the plug in any way or by using an adapter. If the plug does not fit fully into the outlet, reverse the plug. If it still does not fit, have an electrician replace the outlet.

The length of the cord used on this appliance was selected to reduce the hazards of becoming tangled in or tripping over a longer cord. If a longer cord is necessary, an approved extension cord may be used. The electrical rating of the extension cord must be equal to or greater than the rating of the appliance. Care must be taken to arrange the extension cord so that it will not drape over the countertop or tabletop where it can be pulled on by children or accidentally tripped over.

To avoid an electrical circuit overload, do not use another high-wattage appliance on the same circuit with this appliance.

Single-Serve Side Parts and Features

Carafe Side Parts and Features



How to Use Single-Serve Side

AUTOMATIC SHUTOFF: The coffeemaker will automatically shut off after brew cycle is complete.

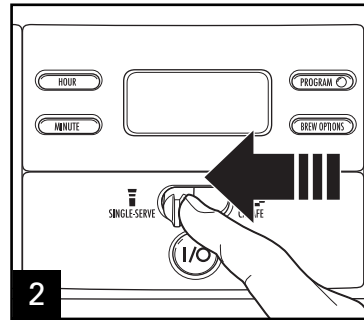
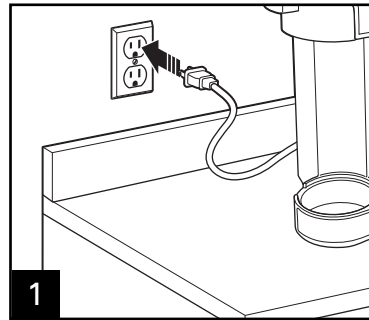
NOTES:

- The unit will only brew on one side at a time.
- To avoid overflow, use slightly less grounds when brewing decaf or flavored coffees.
- For Hotter Coffee: Rinse the travel mug with warm water before brewing; then replace travel mug lid in place. Brew directly into the travel mug with travel mug lid in place.

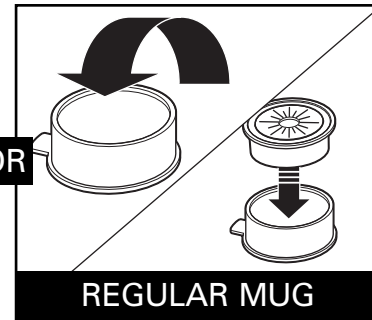
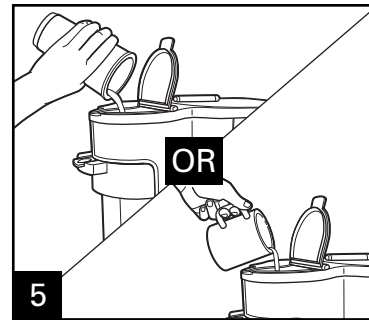
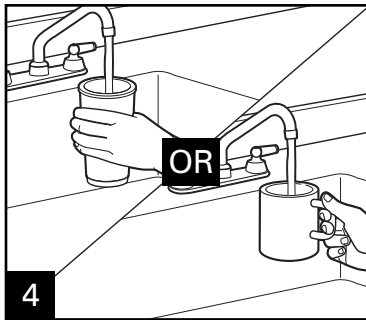
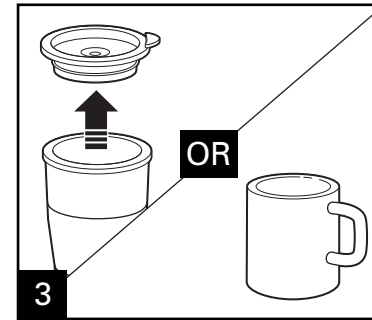
⚠ WARNING Burn Hazard.

- To avoid contact with hot coffee or water:
- Do not use more than 14 ounces (410 ml) of water.
 - Fill single-serve reservoir with mug or cup into which the coffee will be brewed.

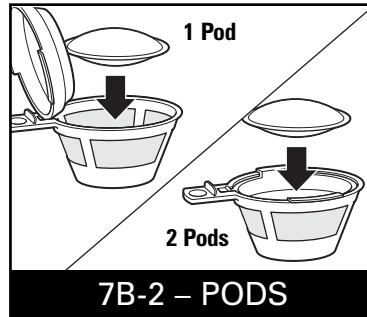
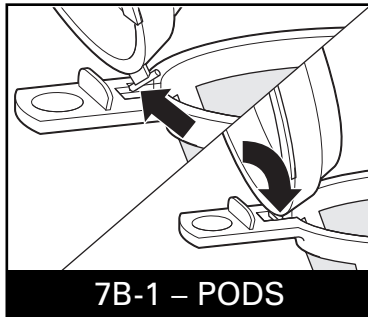
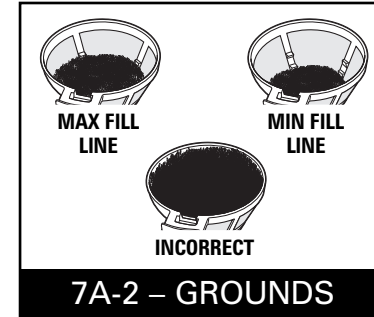
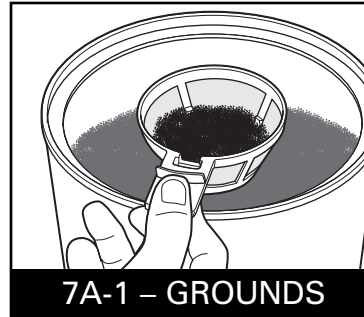
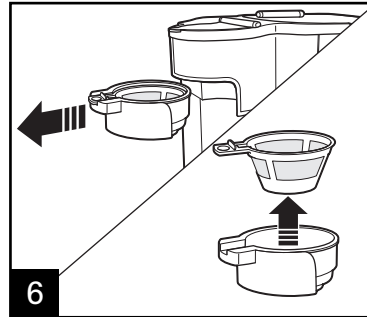
- Fully insert mug or cup under filter basket.
- This unit can be used with Senseo® Pods, available in the coffee aisle of your local grocery store, or loose coffee grounds.



Push lever left to select Single-Serve.



How to Use Single-Serve Side (cont.)



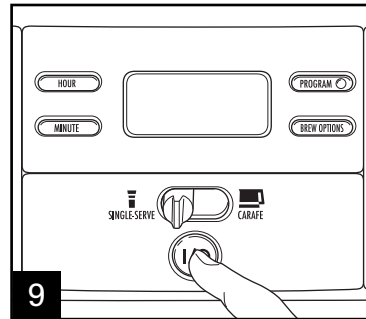
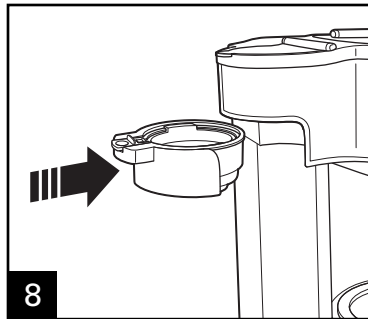
To assemble pod holder: Grasp single-serve brew basket firmly. Insert left tab of the pod holder first; then snap right side into place.

For stronger coffee, use two pods. Two pods are recommended for up to 14 ounces (410 ml) of coffee—OR if stronger coffee is desired.

For regular coffee, use a maximum of two level table-spoons of grounds. To avoid overflow, use slightly less grounds when brewing decaf or flavored coffees. **DO NOT** brew loose grounds with pod basket attached to brew basket. **WARNING!** Keep ground coffee below MAX fill line to prevent overflow.

Single-serve brew basket has two markings: the lower level marking if making 8 oz. (250 ml) of coffee, and the higher level mark if making 14 oz. (410 ml) of coffee. **DO NOT** fill scoop to top or this will cause overflow.

How to Use Single-Serve Side (cont.)



Press **I/O (ON/OFF)** button to begin the flow of coffee. Coffeemaker will shut off when brew cycle is complete. To stop flow of coffee midcycle, press **I/O (ON/OFF)** button.

Coffee Pods

PODS	WATER
1	8 ounces (250 ml) or less
2	14 ounces (410 ml) or less

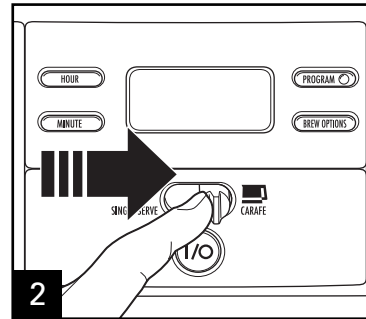
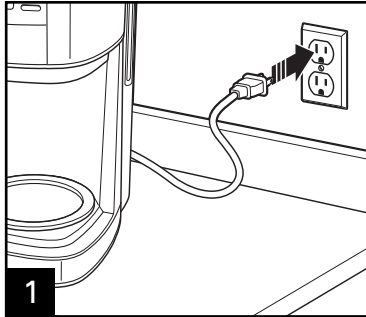
For best results, use with 7 g Senseo® pods. Very large pods will not work with this unit.

NOTE: If 2 pods are used with 8 ounces (250 ml) or less of water, stronger coffee will result.

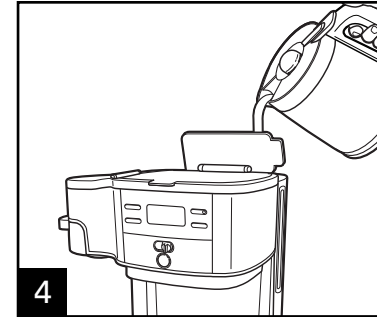
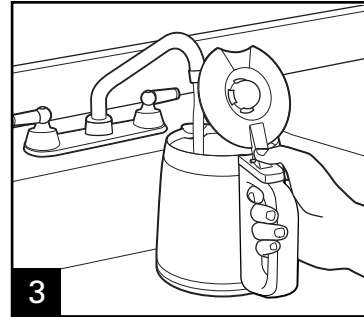
How to Use Carafe Side

AUTOMATIC SHUTOFF: The coffeemaker will automatically shut off 2 hours after brew cycle is complete.

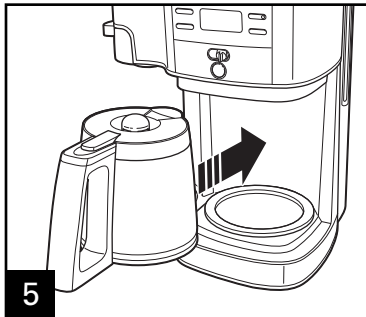
NOTE: The unit will only brew on one side at a time.



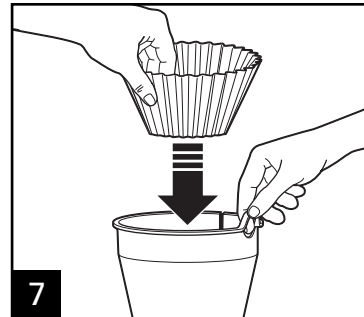
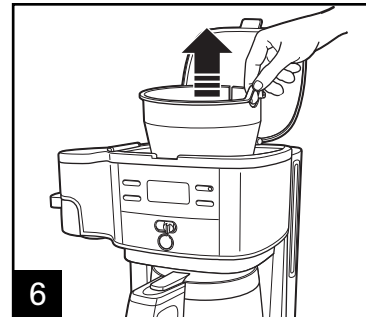
Push lever right to select Carafe.



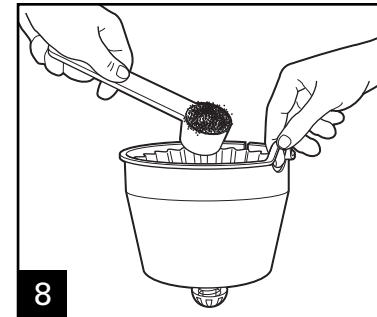
Lift lid and pour water from carafe into reservoir.
NOTE: Do not fill past the 12-cup mark (60 ounces [1.8 L]).



Place carafe, with carafe lid attached, on keep-hot plate.



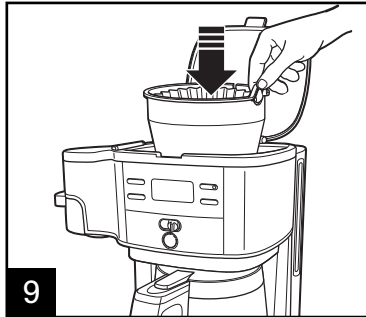
Place a cupcake-style paper filter in brew basket. A permanent filter may also be used.



For each cup of coffee being made, place one level tablespoon (15 ml) of coffee into filter.

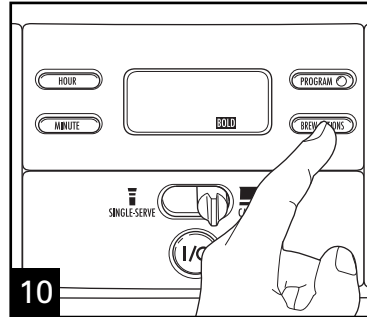
7

How to Use Carafe Side (cont.)



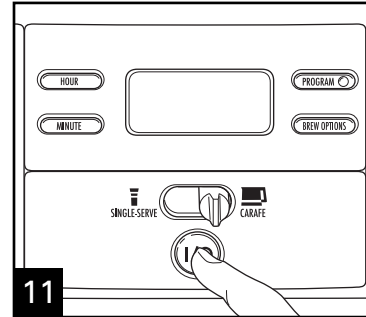
9

Place brew basket in brew basket well. Ensure brew basket is fully seated.



10

For enhanced full/strong-flavored coffee, press **BREW OPTIONS** button until **BOLD** is displayed.



11

Press **I/O (ON/OFF)** button to start. Press **I/O (ON/OFF)** button again to turn off.

NOTE: If the coffeemaker is not turned off manually, it will automatically shut off in 2 hours.

NOTE: **BOLD** mode will require additional time to complete a brewing cycle. If Brew Option is not selected, the coffeemaker will automatically brew on the regular/default setting.

To Order Permanent Filter or Other Parts and Accessories:

1.800.851.8900 (U.S.)

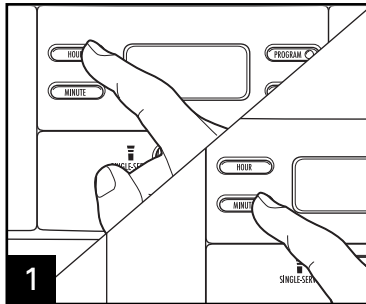
1.800.267.2826 (Canada)

01.800.71.16.100 (Mexico)

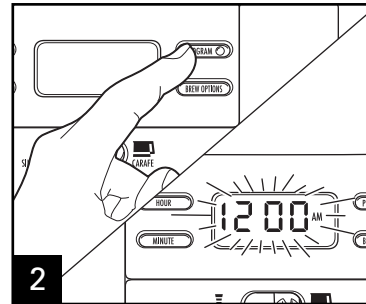
or visit hamiltonbeach.com

Programming (For Either the Single-Serve OR Carafe Side)

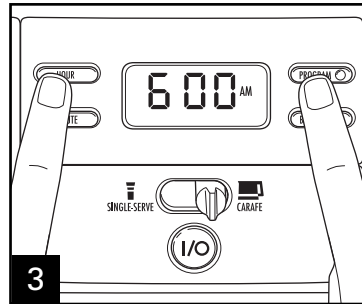
NOTE: The unit will only brew on one side at a time.



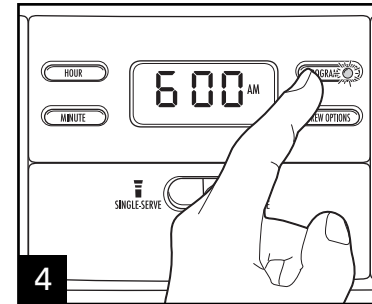
1 Press **HOUR** and then **MINUTE** to set clock.



2 Hold **PROGRAM** until clock flashes.



3 Continue holding **PROGRAM** button, press **HOUR** and **MINUTE** until the desired brewing start time is reached, and then release **PROGRAM** button.



4 Press **PROGRAM** to activate automatic brewing. A green LED will illuminate to indicate the unit is programmed.

Tips for Best-Tasting Coffee

- All coffees are made from either arabica beans or robusta beans, or some combination of both. Arabica beans are slightly more expensive, but tend to produce better-tasting coffee.
- Ground coffee will become stale much faster than whole beans. If buying preground coffee, choose a package with the latest expiration date or a smaller quantity.
- If grinding whole beans, set your coffee grinder on a fine/medium grind. This will yield the best-tasting grounds. Try to use freshly ground coffee within about a week of grinding.
- Using a water filter, filtered water, or bottled water will yield better-tasting coffee than tap water.
- Use approximately 1 tablespoon of grounds for each cup of coffee being made. To avoid overflow, use slightly less grounds (3/4 tablespoon [11 ml]) when brewing decaf or flavored coffees. Also, be aware that using coffee that is ground too finely may also cause the filter basket to overflow.
- Make sure your coffeemaker is clean. See "Care and Cleaning" sections.

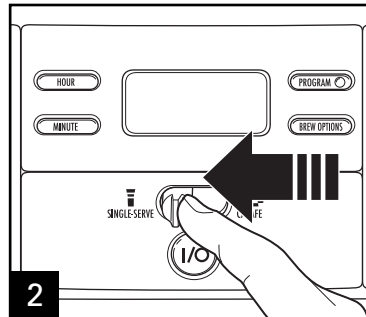
Care and Cleaning – Single-Serve Side

All coffeemakers should be cleaned at least once a month (once a week for areas with hard water).

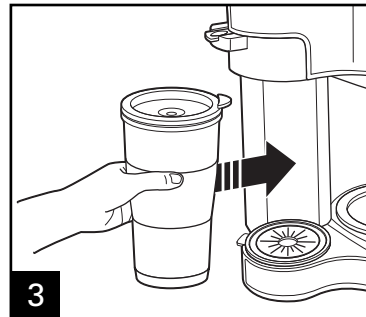


1

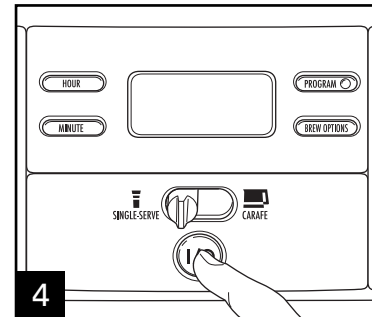
Pour 1/2 cup (125 ml) of plain white vinegar and 1/2 cup (125 ml) of cold water into single-serve side reservoir.



2

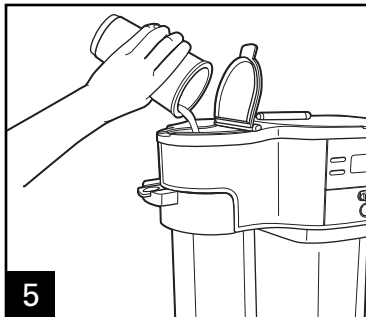


3



4

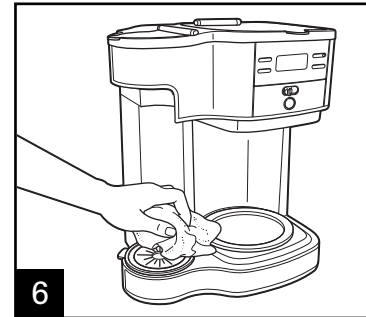
Press I (ON) button. Press O (OFF) button after 30 seconds and wait 30 minutes. Press I (ON) button. Press O (OFF) button when finished.



5

Run 2–3 more brew cycles with CLEAN WATER only. Allow to cool between cycles.

10



6



DISHWASHER-SAFE

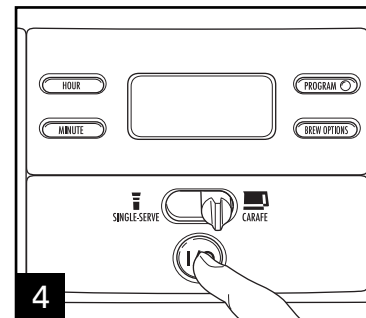
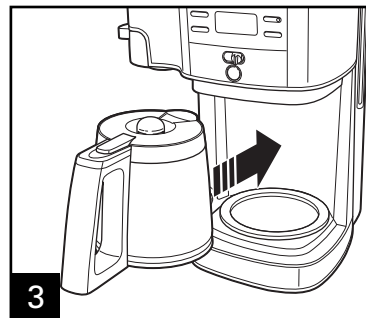
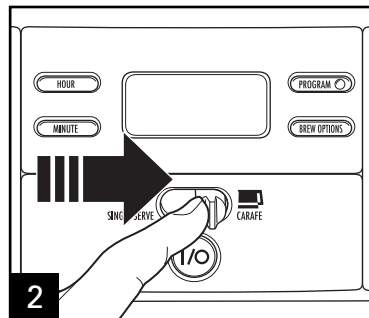
DO NOT use the "SANI" setting when washing in the dishwasher. "SANI" cycle temperatures could damage your product.

Care and Cleaning – Carafe Side

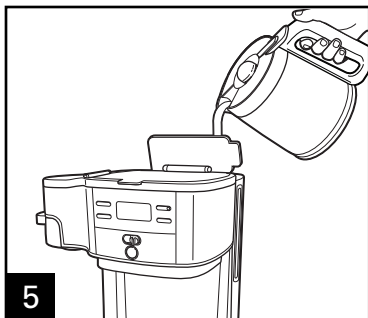
All coffeemakers should be cleaned at least once a month (once a week for areas with hard water).



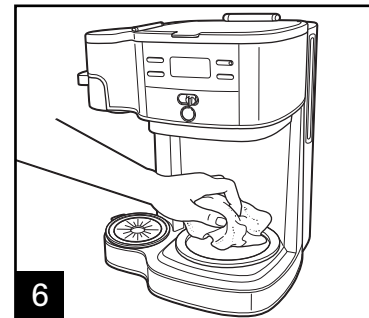
Pour 1 pint (2 cups/500 ml) vinegar into carafe side reservoir.



Press **I (ON)** button. Press **O (OFF)** button after 30 seconds and wait 30 minutes. Press **I (ON)** button. Press **O (OFF)** button when finished.



Run 2–3 more brew cycles with **CLEAN WATER** only. Allow to cool between cycles.



DO NOT use the "SANI" setting when washing in the dishwasher. "SANI" cycle temperatures could damage your product.

Troubleshooting *(Single-Serve Side)*

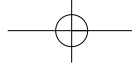
PROBLEM	PROBABLE CAUSE
Weak coffee.	<ul style="list-style-type: none">• Not enough ground coffee used. If using pods, make sure the pod(s) are centered in the pod basket and/or brew basket and use two pods for stronger coffee. See "How to Use Single-Serve Side."
Coffee overflows from brew basket, travel mug, or regular mug.	<ul style="list-style-type: none">• Excessive amount of water in single-serve reservoir. Use travel mug or mug into which coffee will be brewed to fill reservoir. Use slightly less grounds when brewing decaffeinated or flavored coffees. Set coffee grinder to automatic drip grind.
Coffee tastes bad.	<ul style="list-style-type: none">• Coffeemaker needs cleaning.• Coffee ground too coarsely or too finely. Set coffee grinder to automatic drip grind.• Poor coffee quality and freshness.• Poor water quality (use filtered or bottled water).

Troubleshooting *(Carafe Side)*

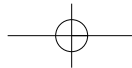
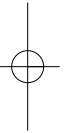
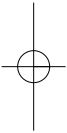
PROBLEM	PROBABLE CAUSE
Brew basket overflows or coffee brews slowly.	<ul style="list-style-type: none"> • Excessive amounts of ground coffee. • Decaffeinated and/or coffee ground too finely can cause overflow. Set coffee grinder to automatic drip grind and use slightly less grounds. • Coffeemaker needs cleaning. If using a paper filter: <ul style="list-style-type: none"> • Coffee grounds between paper filter and brew basket. • Paper filter not open and in proper position. • Rinse brew basket before inserting paper filter so the edges will remain pressed against the sides of the basket. • Poor-quality paper filter.
Coffee leaks onto base.	<ul style="list-style-type: none"> • Carafe removed from keep-hot plate for more than 20 seconds during the brewing cycle.
Coffee tastes bad.	<ul style="list-style-type: none"> • Coffeemaker needs cleaning. • Coffee ground too coarsely or too finely. Set coffee grinder to automatic drip grind. • Coffee-to-water ratio unbalanced. Adjust for personal preference. • Poor coffee quality and freshness. • Poor water quality (use filtered or bottled water).

Troubleshooting (Carafe Side) (cont.)

PROBLEM	PROBABLE CAUSE
Coffee sediment in cup.	<ul style="list-style-type: none">• Use a high-quality, basket-style paper filter instead of optional permanent coffee filter.
Coffee not brewing or unit will not turn on.	<ul style="list-style-type: none">• Carafe not positioned on keep-hot plate.• Water reservoir is empty.• Unit is unplugged.• Power outage.• Power surge. Unplug; then plug the unit back in.• Clock requires reset after power outage.
Longer than normal brew time.	<ul style="list-style-type: none">• Mineral deposits can build up in the pump of your coffeemaker. Periodic cleaning of the inside of the unit is recommended. More frequent cleaning may be necessary, depending on the hardness of your water. See "Care and Cleaning – Carafe Side" section. <p>NOTE: Do not disassemble the unit.</p>



Notes



Limited Warranty

This warranty applies to products purchased and used in the U.S. and Canada. This is the only express warranty for this product and is in lieu of any other warranty or condition.

This product is warranted to be free from defects in material and workmanship for a period of one (1) year from the date of original purchase. During this period, your exclusive remedy is repair or replacement of this product or any component found to be defective, at our option; however, you are responsible for all costs associated with returning the product to us and our returning a product or component under this warranty to you. If the product or component is no longer available, we will replace with a similar one of equal or greater value.

This warranty does not cover glass, filters, wear from normal use, use not in conformity with the printed directions, or damage to the product resulting from accident, alteration, abuse, or misuse. This warranty extends only to the original consumer purchaser or gift recipient. Keep the original sales receipt, as proof of purchase is required to make a warranty claim. This warranty is void if the product is used for other than single-family household use or subjected to any voltage and waveform other than as specified on the rating label (e.g., 120V ~ 60 Hz).

We exclude all claims for special, incidental, and consequential damages caused by breach of express or implied warranty. All liability is limited to the amount of the purchase price. **Every implied warranty, including any statutory warranty or condition of merchantability or fitness for a particular purpose, is disclaimed except to the extent prohibited by law, in which case such warranty or condition is limited to the duration of this written warranty.** This warranty gives you specific legal rights. You may have other legal rights that vary depending on where you live. Some states or provinces do not allow limitations on implied warranties or special, incidental, or consequential damages, so the foregoing limitations may not apply to you.

To make a warranty claim, do not return this appliance to the store. Please call 1.800.851.8900 in the U.S. or 1.800.267.2826 in Canada or visit hamiltonbeach.com in the U.S. or hamiltonbeach.ca in Canada. For faster service, locate the model, type, and series numbers on your appliance.

DIRECTIVES IMPORTANTES DE SÉCURITÉ

Pour utiliser un appareil électroménager, vous devez toujours prendre des mesures élémentaires de sécurité pour réduire le risque d'incendie, d'électrocution et/ou de blessure corporelle, en particulier les mesures suivantes :

1. Lire toutes les instructions.
2. Ne pas toucher les surfaces chaudes. Utiliser les poignées ou les boutons. La prudence s'impose car des brûlures peuvent survenir si on touche des pièces chaudes ou si on renverse des liquides chauds.
3. Pour protéger contre le choc électrique, ne pas placer le cordon, la fiche du cordon ou la cafetière dans l'eau ou autre liquide.
4. Une bonne surveillance est nécessaire lorsqu'un appareil est utilisé par des enfants ou près d'eux.
5. Laisser refroidir l'appareil avant de placer ou de retirer des pièces, et avant de le nettoyer.
6. La cafetière doit être utilisée sur une surface droite loin du bord du comptoir, pour empêcher le basculement accidentel.
7. Ne pas faire fonctionner un appareil avec un cordon ou une fiche endommagé, ou lorsque l'appareil ne fonctionne pas bien ou a été endommagé d'une manière quelconque. Appeler notre numéro sans frais de service à la clientèle pour des renseignements concernant l'examen, la réparation ou l'ajustement.
8. L'utilisation d'accessoires non recommandés par le fabricant d'électroménagers peut causer des blessures.
9. Ne pas utiliser à l'extérieur.
10. Ne pas laisser le cordon pendre par dessus le bord d'une table ou d'un comptoir, ou toucher des surfaces chaudes, y compris la cuisinière.
11. Ne placez jamais votre appareil sur ou à proximité d'un brûleur électrique ou à gaz, ou dans un four chaud.
12. La verseuse à café est conçue exclusivement pour cette cafetière. Elle ne doit jamais être utilisée sur une table de cuisson ou dans un four à micro-ondes.
13. Ne pas placer la verseuse à café chaude sur une surface mouillée ou froide.
14. Ne pas utiliser une verseuse à café fissurée ou avec une poignée lâche ou usée.
15. Ne pas nettoyer la verseuse à café avec de la poudre à nettoyer, des tampons métalliques ou autres matériaux abrasifs.
16. Ne pas utiliser cet appareil pour un autre usage que celui auquel il est destiné.
17. **AVERTISSEMENT** : Pour réduire le risque d'incendie ou de choc électrique, ne pas enlever le dessous de la cafetière. Aucune pièce à l'intérieur n'est réparable par l'utilisateur. Les réparations doivent être faites par du personnel d'entretien autorisé seulement.
18. Pour débrancher la cafetière, placez l'interrupteur à la position ARRÊT, puis enlevez la fiche de la prise de courant.
19. Assurez-vous que le couvercle est bien fermé durant la préparation du café et lorsque vous le versez. Ne forcez pas en plaçant le couvercle sur la verseuse.

CONSERVEZ CES INSTRUCTIONS !

Autres consignes de sécurité pour le consommateur

Cet appareil est destiné à un usage domestique uniquement.

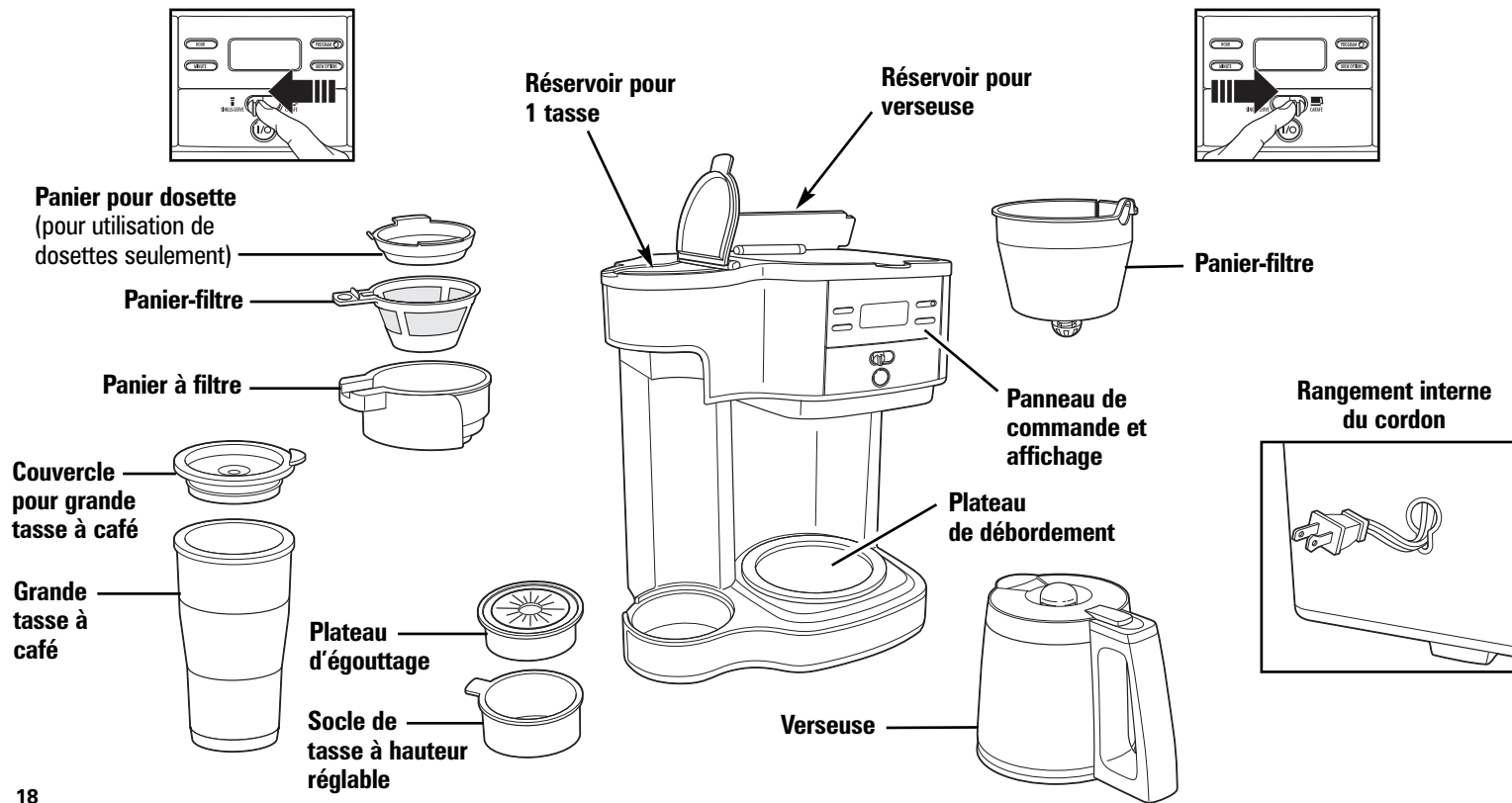
AVERTISSEMENT ! Danger d'électrocution : Cet appareil électroménager possède une fiche polarisée (une broche large) qui réduit le risque d'électrocution. Cette fiche n'entre que dans une prise polarisée. Ne contre-carrez pas l'objectif sécuritaire de cette fiche en la modifiant de quelque manière que ce soit ou en utilisant un adaptateur. Si vous ne pouvez pas insérer complètement la fiche dans la prise, inversez la fiche. Si elle refuse toujours de s'insérer, faire remplacer la prise par un électricien.

La longueur du cordon installé sur cet appareil a été sélectionnée afin de réduire les risques d'enchevêtrement ou de faux pas causés par un fil trop long. L'utilisation d'une rallonge approuvée est permise, si le cordon est trop court. Les caractéristiques électriques de la rallonge doivent être équivalentes ou supérieures aux caractéristiques de l'appareil. Prendre toutes les précautions nécessaires pour installer la rallonge de manière à ne pas la faire courir sur le comptoir ou sur une table pour éviter qu'un enfant ne tire sur le cordon ou trébuché accidentellement.

Afin d'éviter une surcharge électrique, évitez d'utiliser un autre appareil à haute puissance sur le même circuit que la cafetière.

Côté 1 tasse pièces et caractéristiques

Côté pour verseuse pièces et caractéristiques



Mode d'emploi pour côté 1 tasse

⚠ AVERTISSEMENT Risque de brûlure.

Pour éviter tout contact avec l'eau ou le café brûlant :

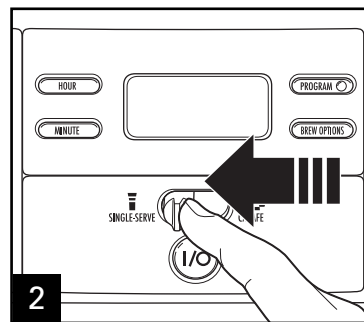
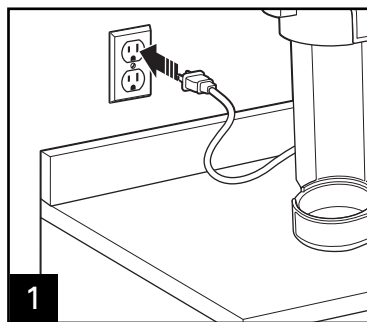
- N'utilisez pas plus de 410 ml (14 onces) d'eau.
- Remplir le réservoir du côté 1 tasse en utilisant la grande tasse à café ou une tasse dans laquelle le café sera servi.

- Insérer complètement la grande tasse à café ou la tasse sous le panier à filtre.
- Les dosettes Senseo^{MD} peuvent être utilisées avec cet appareil, en vente dans le rayon de café de votre épicerie, ou moutures de café en vrac.

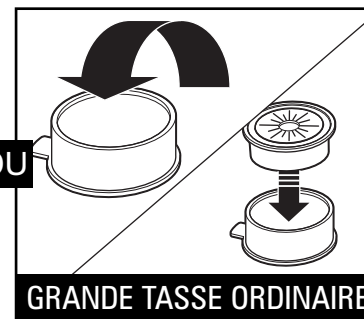
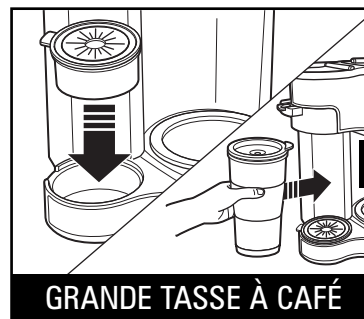
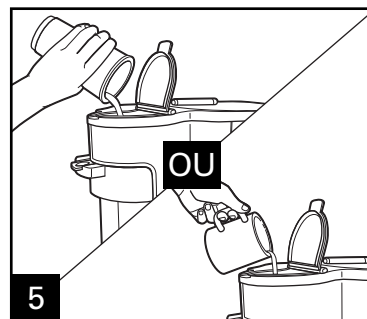
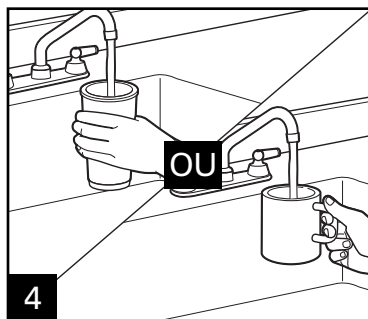
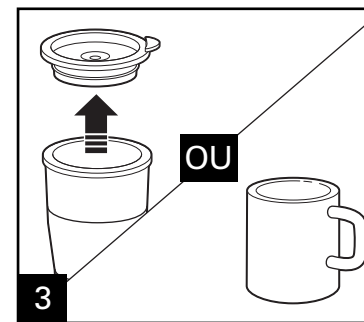
ARRÊT AUTOMATIQUE : Votre appareil s'arrête automatiquement à la fin du cycle d'infusion.

NOTES :

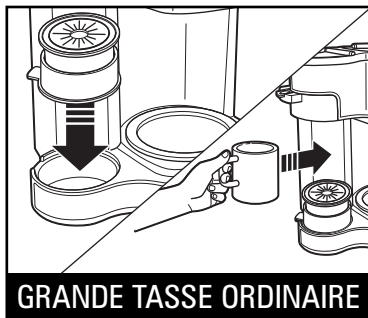
- La cafetière n'infuse qu'un côté à la fois.
- Utiliser un peu moins de grains pour les cafés décaféinés ou aromatisés pour éviter le débordement.
- Pour un café plus chaud : Rincer la grande tasse à café à l'eau chaude avant l'infusion et replacer le couvercle. Infuser directement dans la grande tasse à café avec son couvercle.



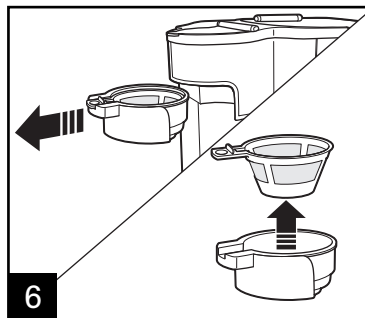
Pousser le levier vers la gauche pour sélectionner le côté 1 tasse.



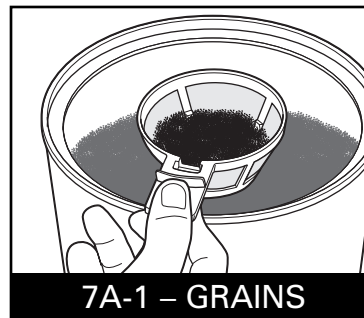
Mode d'emploi pour côté 1 tasse (suite)



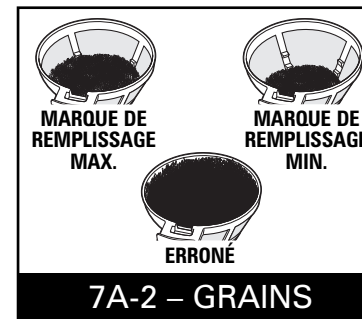
GRANDE TASSE ORDINAIRE



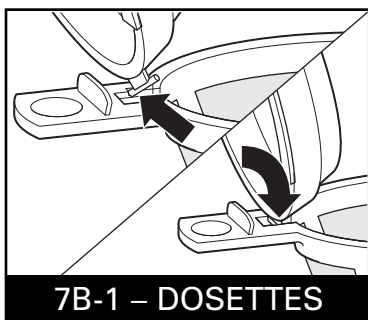
6



7A-1 – GRAINS

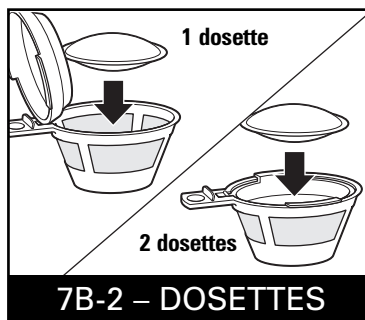


7A-2 – GRAINS



7B-1 – DOSETTES

Pour assembler le support de dosette : Tenir fermement le panier à filtre pour portion simple. Insérer d'abord la languette du support puis enclencher le côté droit pour fixer le tout.



7B-2 – DOSETTES

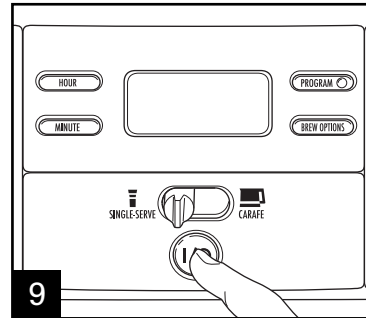
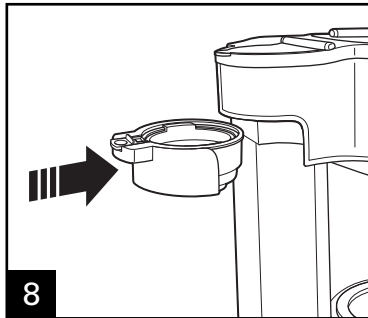
Utiliser deux dosettes pour obtenir un café plus corsé. Deux dosettes sont recommandées pour jusqu'à 410 ml (14 oz.) de café — OU pour obtenir un café plus fort.

Pour le café régulier, ne pas utiliser plus de deux cuillères à soupe de grains. Utiliser un peu moins de grains pour les cafés décaféinés ou aromatisés pour éviter le débordement. **NE PAS** infuser de grains de café libre dans le panier à dosette fixé au panier-filtre.

AVERTISSEMENT ! Éviter de remplir au-delà de la ligne MAX pour prévenir le débordement.

Le panier-filtre pour une portion simple est doté de deux marques ; la marque inférieure est utilisée pour une portion de 250 ml (8 oz.) de café et la marque supérieure est utilisée pour une portion de 410 ml (14 oz.) de café. Éviter de combler la pelle au maximum pour éviter le débordement.

Mode d'emploi pour côté 1 tasse (suite)



Appuyer sur le bouton I/O (marche/arrêt) pour démarrer le cycle d'infusion. La cafetière s'éteindra automatiquement dès la fin du cycle d'infusion. Appuyer sur le bouton I/O (marche/arrêt) pour interrompre la diffusion à la moitié du cycle.

Dosettes de café

DOSETTES	EAU
1	250 ml (8 onces) ou moins
2	410 ml (14 onces) ou moins

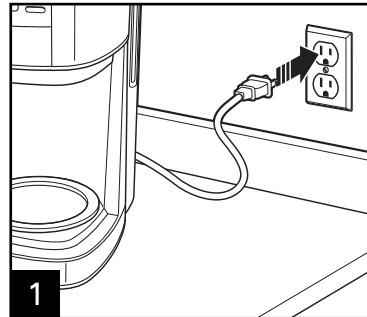
Pour de meilleurs résultats, utilisez avec des dosettes Senseo® de 7 g (1/4 once). Très grosses ne sont pas compatibles avec ce modèle.

REMARQUE : Si 2 dosettes sont utilisées avec 250 ml (8 onces) ou moins d'eau, il en résultera un café plus fort.

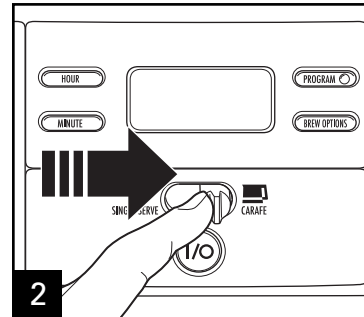
Mode d'emploi pour côté verseuse

ARRÊT AUTOMATIQUE : La cafetière s'arrête automatiquement 2 heures après d'infusion.

NOTE : L'appareil n'infuse qu'un côté à la fois.

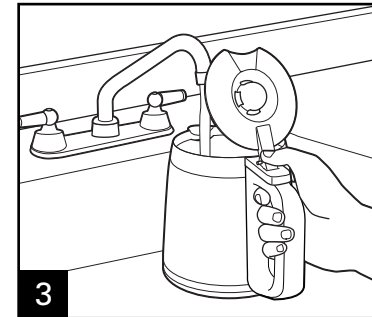


1

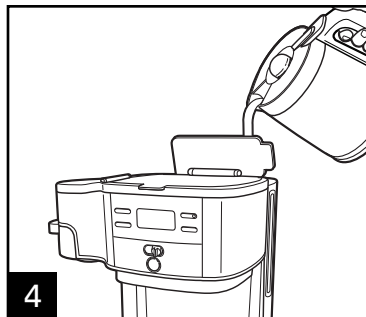


2

Pousser le levier vers la droite pour sélectionner le côté de la verseuse.



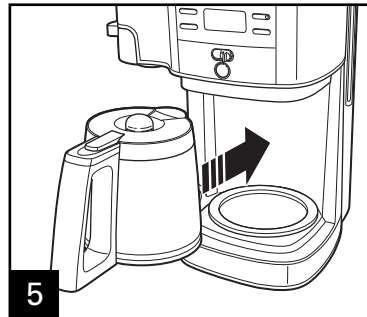
3



4

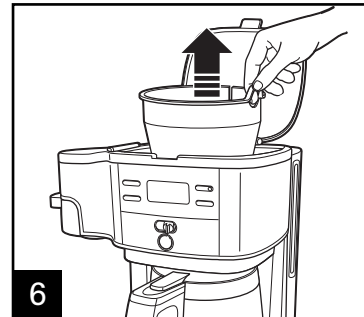
Soulever le couvercle et verser l'eau de la verseuse dans le réservoir. **NOTE :** Ne pas remplir au-delà de la marque de 12 tasses (1,8 L [60 onces]).

22

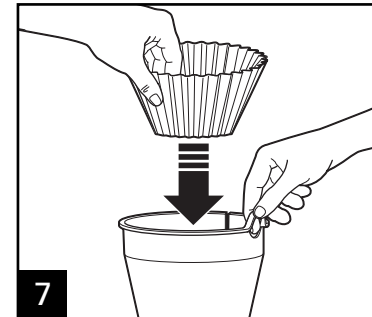


5

Placer la verseuse munie de son couvercle sur le plateau de débordement.



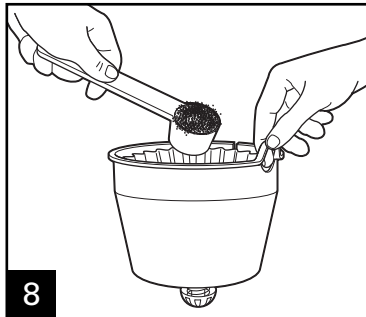
6



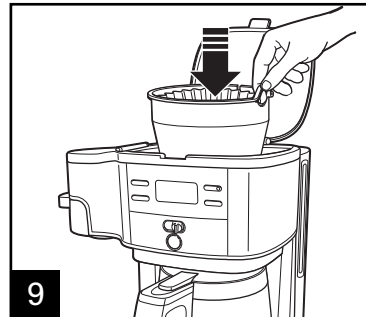
7

Placer un filtre à café de type « petit gâteau » dans le panier-filtre. Un filtre permanent peut aussi être utilisé.

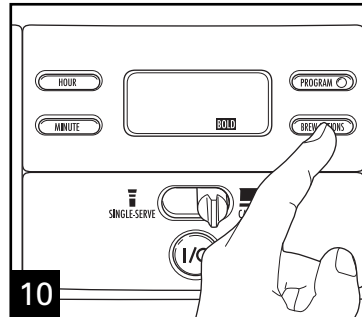
Mode d'emploi pour côté verseuse (suite)



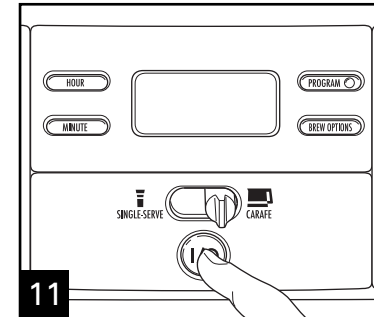
8 Pour chaque tasse de café à préparer, mettre une cuiller à soupe (15 ml) rase de café dans le filtre.



9 Placer le panier-filtre dans le puits du panier-filtre. S'assurer que le panier-filtre est bien installé.



10 Pour obtenir un café plus corsé et plus savoureux, appuyer sur le bouton **BREW OPTIONS** (options d'infusion) jusqu'à ce que **BOLD** (corsé) s'affiche.



11 Appuyer sur le bouton **I/O** (marche/arrêt) pour démarrer le cycle d'infusion. Appuyer à nouveau sur le bouton **I/O** (marche/arrêt) pour éteindre la cafetière.

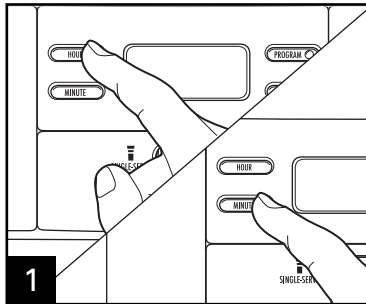
NOTE : Si la cafetière ne s'éteint pas manuellement, elle s'éteindra automatiquement dans 2 heures.

**Pour commander un filtre permanent,
des pièces et accessoires :**
1.800.851.8900 (É.-U.)
1.800.267.2826 (Canada)
01.800.71.16.100 (Mexique)
 ou visiter le site
hamiltonbeach.ca

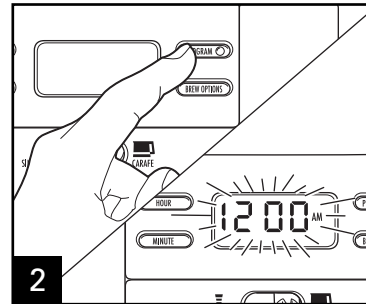
NOTE : Les modes **BOLD** (CORSE) nécessitent un cycle d'infusion plus long. Si option d'infusion n'est pas sélectionnée, la cafetière infuse automatiquement au mode de réglage par défaut/normal.

Programmation (Pour le côté 1 tasse OU le côté verseuse)

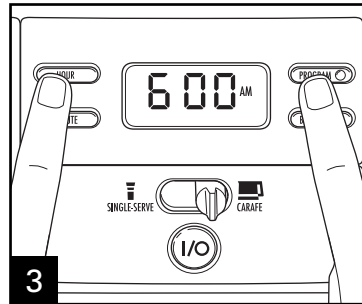
REMARQUE : La cafetière n'infuse qu'un côté à la fois.



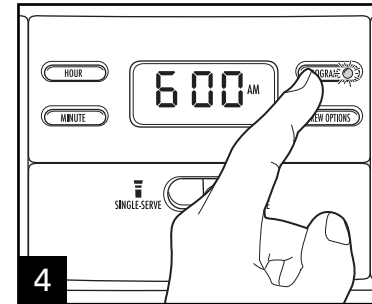
1 Appuyez sur **HOUR** (heure) et ensuite sur **MINUTE** pour régler la minuterie.



2 Appuyez sur **PROGRAM** (programme) jusqu'à ce que l'heure clignote.



3 En continuant à appuyer sur le bouton **PROGRAM** ; appuyez sur **HOUR** et sur **MINUTE** jusqu'à ce que l'heure désirée de début d'infusion apparaisse, puis relâcher le bouton **PROGRAM**.



4 Appuyez sur **PROGRAM** pour mettre en marche l'infusion automatique. Un voyant DEL verte s'allumera pour indiquer que la cafetière est programmée.

Conseils pour obtenir un excellent café

- Tous les cafés sont faits à partir de grains arabica ou robusta ou une combinaison des deux. Les grains Arabica sont légèrement plus coûteux, mais ont tendance à produire le meilleur café.
- Le café moulu s'évente beaucoup plus rapidement que les grains entiers. Si vous achetez du café moulu, choisissez un paquet avec la date d'expiration la plus tardive ou une plus petite quantité.
- Pour mouliner des grains entiers, réglez votre moulin à café sur un réglage fine / moyen. Ceci donnera des moutures au meilleur arôme. Essayez d'utiliser du café fraîchement moulu dans la semaine qui suit.
- Utilisez un filtre à eau, de l'eau filtrée ou en bouteille donne un café de meilleur arôme que d'utiliser de l'eau du robinet.
- Utilisez environ 1 cuillère à soupe (15 ml) de café moulu pour chaque tasse de café à infuser. Pour le café décaféiné et les cafés aromatisés, utilisez un peu moins de café moulu (3/4 cuillère à soupe [11 ml]) pour éviter les débordements. D'autre part, utiliser du café moulu trop finement peut causer le débordement du panier-filtre.
- Assurez-vous que la cafetière est propre. Consultez les chapitres « Entretien et nettoyage ».

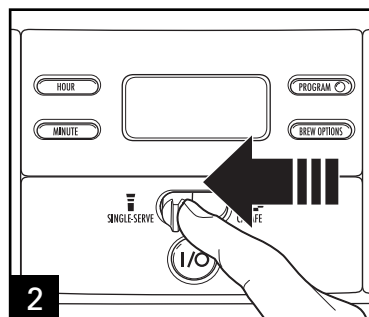
Entretien et nettoyage – Côté 1 tasse

Toutes les cafetières doivent être nettoyées au moins une fois par mois (une fois par semaine pour les zones à eau calcaire).

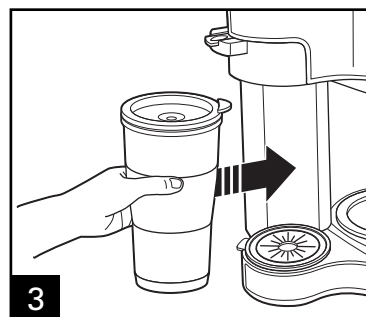


1

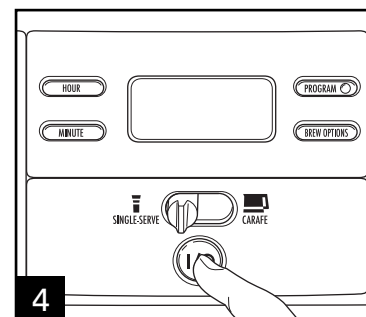
Versez 125 ml (1/2 tasse) de vinaigre blanc ordinaire et 125 ml (1/2 tasse) d'eau froide dans le réservoir du côté 1 tasse.



2

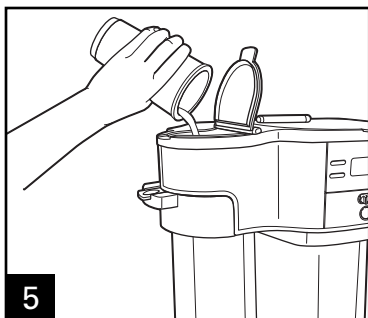


3



4

Appuyez sur le bouton **I** (marche). Appuyez sur le bouton **O** (arrêt) après 30 secondes et attendez 30 minutes. Appuyez sur le bouton **I** (marche). Appuyez sur le bouton **O** (arrêt) dès la fin de l'utilisation.

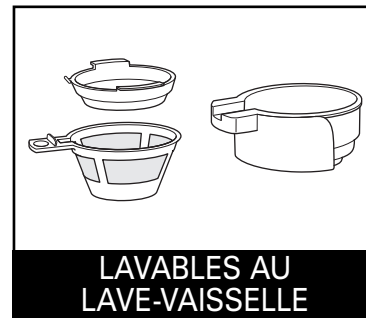


5

Faites fonctionner 2-3 autres cycles d'infusion avec seulement **DE L'EAU PROPRE**. Laissez refroidir entre les cycles.



6



**LAVABLES AU
LAVE-VAISSELLE**

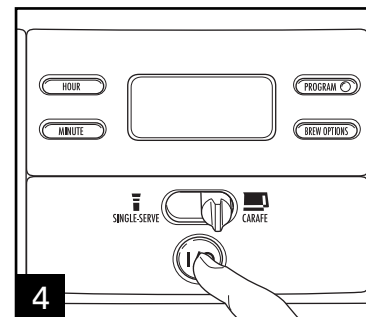
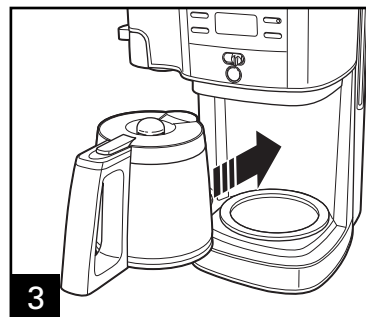
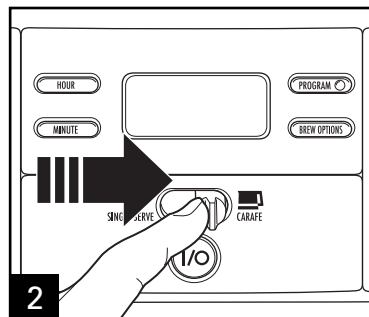
NE PAS utiliser le réglage "SANI" du lave-vaisselle. Les températures du cycle "SANI" peuvent endommager le produit.

Entretien et nettoyage – Côté verseuse

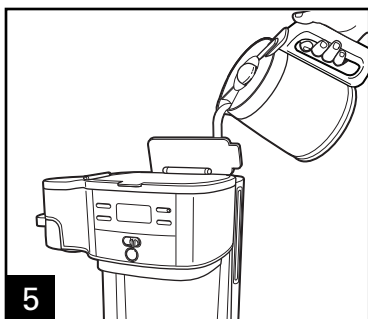
Toutes les cafetières doivent être nettoyées au moins une fois par mois (une fois par semaine pour les zones à eau calcaire).



Versez 500 ml (2 tasses) de vinaigre dans le réservoir du côté de la verseuse.



Appuyez sur le bouton **I** (marche). Appuyez sur le bouton **O** (arrêt) après 30 secondes et attendez 30 minutes. Appuyez sur le bouton **I** (marche). Appuyez sur le bouton **O** (arrêt) dès la fin de l'utilisation.



Faites fonctionner 2-3 autres cycles d'infusion avec seulement DE L'EAU PROPRE. Laissez refroidir entre les cycles.



LAVABLES AU LAVE-VAISSELLE

NE PAS utiliser le réglage "SANI" du lave-vaisselle. Les températures du cycle "SANI" peuvent endommager le produit.

Dépannage *(Côté 1 tasse)*

PROBLÈME

CAUSE PROBABLE

Café faible.

- Quantité de grains de café insuffisante. Pour l'utilisation des dosettes, assurez-vous que les dosettes sont centrées dans le panier pour dosette et/ou le panier-filtre et utilisez deux dosettes pour un café plus fort. Reportez-vous à « Mode d'emploi pour côté 1 tasse ».

Le café déborde du panier-filtre, de la grande tasse à café ou de la tasse régulière.

- Quantité excessive d'eau dans le réservoir du côté 1 tasse. Utiliser une grande tasse à café ou une tasse régulière pour calculer la quantité d'eau à verser dans le réservoir. Utiliser un peu moins de grains pour les cafés décaféinés ou aromatisés. Régler le moulin à café sur café moulu pour cafetière automatique.

Le café a un mauvais goût.

- La cafetière a besoin d'être nettoyée.
- La mouture du café est trop grossière ou trop fine. Régler le moulin à café sur café moulu pour cafetière automatique.
- La qualité et la fraîcheur du café laissent à désirer.
- L'eau est de piètre qualité. (Utilisez de l'eau filtrée ou en bouteille).

Dépannage *(Côté verseuse)*

PROBLÈME

CAUSE PROBABLE

Le panier à filtre déborde ou le café infuse lentement.

- Quantités excessives de café.
- Le café décaféiné ou les grains de café moulu trop finement peut occasionner le débordement. Régler le moulin à café sur café moulu pour cafetière automatique et utiliser un peu moins de grains.
- La cafetière a besoin d'être nettoyée.
- **Si vous utilisez un filtre conique en papier :**
- De la mouture de café a pénétré entre le filtre en papier et le panier-filtre.
- Le filtre en papier n'est pas ouvert ou est mal positionné.
- Rincez le panier-filtre avant d'y placer le filtre en papier pour que les bords de celui-ci adhèrent aux parois humides du panier.
- Filtre en papier de mauvaise qualité.

Le café coule dans la base.

- Verseuse retirée de le plateau de débordement pendant plus de 20 secondes pendant le cycle d'infusion.

Le café a un mauvais goût.

- La cafetière a besoin d'être nettoyée.
- La mouture du café est trop grossière ou trop fine. Régler le moulin à café sur café moulu pour cafetière automatique.
- La qualité et la fraîcheur du café laissent à désirer.
- L'eau est de piètre qualité. (Utilisez de l'eau filtrée ou en bouteille).

Dépannage (Côté verseuse) (suite)

PROBLÈME

Il y a un sédiment de café dans la tasse.

La cafetière n'infuse pas de café/l'appareil ne se met pas en marche.

Période d'infusion supérieure à la normale.

CAUSE PROBABLE

- Utiliser un panier filtre en papier de grande qualité au lieu du filtre à café permanent offert en option.

- Verseuse non positionnée sur le plateau de débordement.

- Le réservoir d'eau est vide.

- L'appareil est débranché.

- Il y a eu une panne d'électricité.

- Il y a eu une surtension électrique. Débranchez l'appareil et branchez-le à nouveau.

- L'horloge doit être réglée de nouveau après la panne d'électricité.

- De nombreux dépôts minéraux peuvent s'accumuler dans la pompe de la cafetière. Le nettoyage périodique de l'intérieur de l'appareil est recommandé. Un nettoyage plus fréquent peut être nécessaire, selon la dureté de l'eau. Voir le chapitre « Entretien et nettoyage – Côté 1 tasse ».

NOTE : Ne démontez pas l'appareil.

Garantie limitée

Cette garantie s'applique aux produits achetés et utilisées aux É.-U. et au Canada. C'est la seule garantie expresse pour ce produit et est en lieu et place de tout autre garantie ou condition.

Ce produit est garanti contre tout défaut de matériaux et de main-d'oeuvre pour une période de un (1) an à compter de la date d'achat d'origine. Au cours de cette période, votre seul recours est la réparation ou le remplacement de ce produit ou tout composant s'avérant défectueux, à notre gré, mais vous êtes responsable de tous les coûts liés à l'expédition du produit et le retour d'un produit ou d'un composant dans le cadre de cette garantie. Si le produit ou un composant n'est plus offert, nous le remplacerons par un produit similaire de valeur égale ou supérieure.

Cette garantie ne couvre pas le verre, les filtres, l'usure d'un usage normal, l'utilisation non conforme aux directives imprimées, ou des dommages au produit résultant d'un accident, modification, utilisation abusive ou incorrecte. Cette garantie s'applique seulement à l'acheteur original ou à la personne l'ayant reçu en cadeau. La présentation du reçu de vente d'origine comme preuve d'achat est nécessaire pour faire une réclamation au titre de cette garantie. Cette garantie s'annule si le produit est utilisé autrement que par une famille ou si l'appareil est soumis à toute tension ou forme d'onde différente des caractéristiques nominales précisées sur l'étiquette (par ex. : 120 V ~ 60 Hz).

Nous excluons toutes les réclamations au titre de cette garantie pour les dommages spéciaux, consécutifs et indirects causés par la violation de garantie expresse ou implicite. Toute responsabilité est limitée au prix d'achat. **Chaque garantie implicite, y compris toute garantie ou condition de qualité marchande ou d'adéquation à un usage particulier, est exonérée, sauf dans la mesure interdite par la loi, auquel cas la garantie ou condition est limitée à la durée de cette garantie écrite.** Cette garantie vous donne des droits légaux précis. Vous pouvez avoir d'autres droits qui varient selon l'endroit où vous habitez. Certaines provinces ne permettent pas les limitations sur les garanties implicites ou les dommages spéciaux ou indirects de telle sorte que les limitations ci-dessus ne s'appliquent peut-être pas à votre cas.

Ne pas retourner cet appareil au magasin lors d'une réclamation au titre de cette garantie. Téléphoner au 1.800.851.8900 aux É.-U. ou au 1.800.267.2826 au Canada ou visiter le site internet www.hamiltonbeach.com aux É.-U. ou www.hamiltonbeach.ca au Canada. Pour un service plus rapide, trouvez le numéro de modèle, le type d'appareil et les numéros de série sur votre appareil.

SALVAGUARDIAS IMPORTANTES

Cuando utilice artefactos eléctricos, siempre deben seguirse precauciones de seguridad básicas a fin de reducir el riesgo de incendio, descarga eléctrica, y/o lesiones a personas, incluyendo las siguientes:

1. Lea todas las instrucciones.
2. Verifique que el voltaje de su instalación corresponda con el del producto.
3. No toque superficies calientes. Use manijas o perillas. Es importante tener cuidado ya que pueden ocurrir quemaduras al tocar partes calientes o como resultado del derrame de líquido caliente.
4. Para protegerse contra choques eléctricos no sumerja el cordón, el enchufe o la cafetera en el agua o en otro líquido.
5. Es necesario una estricta vigilancia siempre que los niños utilicen o estén cerca de algún artefacto.
6. Deje que se enfríe antes de ponerle o quitarle piezas y antes de su limpieza.
7. La cafetera debe ser operada sobre una superficie plana lejos del borde de la mesera o mostrador para evitar que se vuelque accidentalmente.
8. No haga funcionar artefacto alguno que tenga el cordón o el enchufe averiado o si falla o ha sufrido algún daño. Llame a nuestro número gratuito de servicio al cliente para información sobre examinación, reparación o ajuste.
9. El uso de aditamentos de accesorio no recomendados por el fabricante del aparato pueden causar lesiones.
10. No lo use a la intemperie.
11. No deje que el cable cuelgue del borde de la mesa, mostrador, ni que toque superficies calientes, incluyendo la estufa.
12. No lo coloque sobre o cerca de una cocina eléctrica o a gas caliente o dentro de un horno caliente.
13. La jarra está diseñada para uso con esta cafetera. No debe usarse sobre una estufa o en un horno de microondas.
14. No ponga una jarra caliente sobre una superficie mojada o fría.
15. No use una jarra quebrada o una con manijas flojas o debilitadas.
16. No limpie la jarra con limpiadores, estropajos de acero u otros materiales abrasivos.
17. No use el artefacto para fines ajenos a los que está destinado.
18. **ADVERTENCIA:** Para reducir el riesgo de incendio o choque eléctrico, no quite la cubierta inferior de la cafetera. En el interior no hay piezas que el usuario pueda reparar. Las reparaciones deberán ser realizadas solamente por personal de servicio autorizado.
19. Para desconectar la cafetera, coloque los controles en la posición apagada (OFF) y luego retire el enchufe del tomacorriente.
20. Asegúrese de que la tapa de la jarra esté firme en posición durante el ciclo de preparación del café y cuando lo esté vertiendo; no emplee fuerza cuando coloque la tapa en la jarra.

¡GUARDE ESTAS INSTRUCCIONES!

Otra Información de Seguridad para el Cliente

Este aparato ha sido diseñado solamente para uso doméstico.

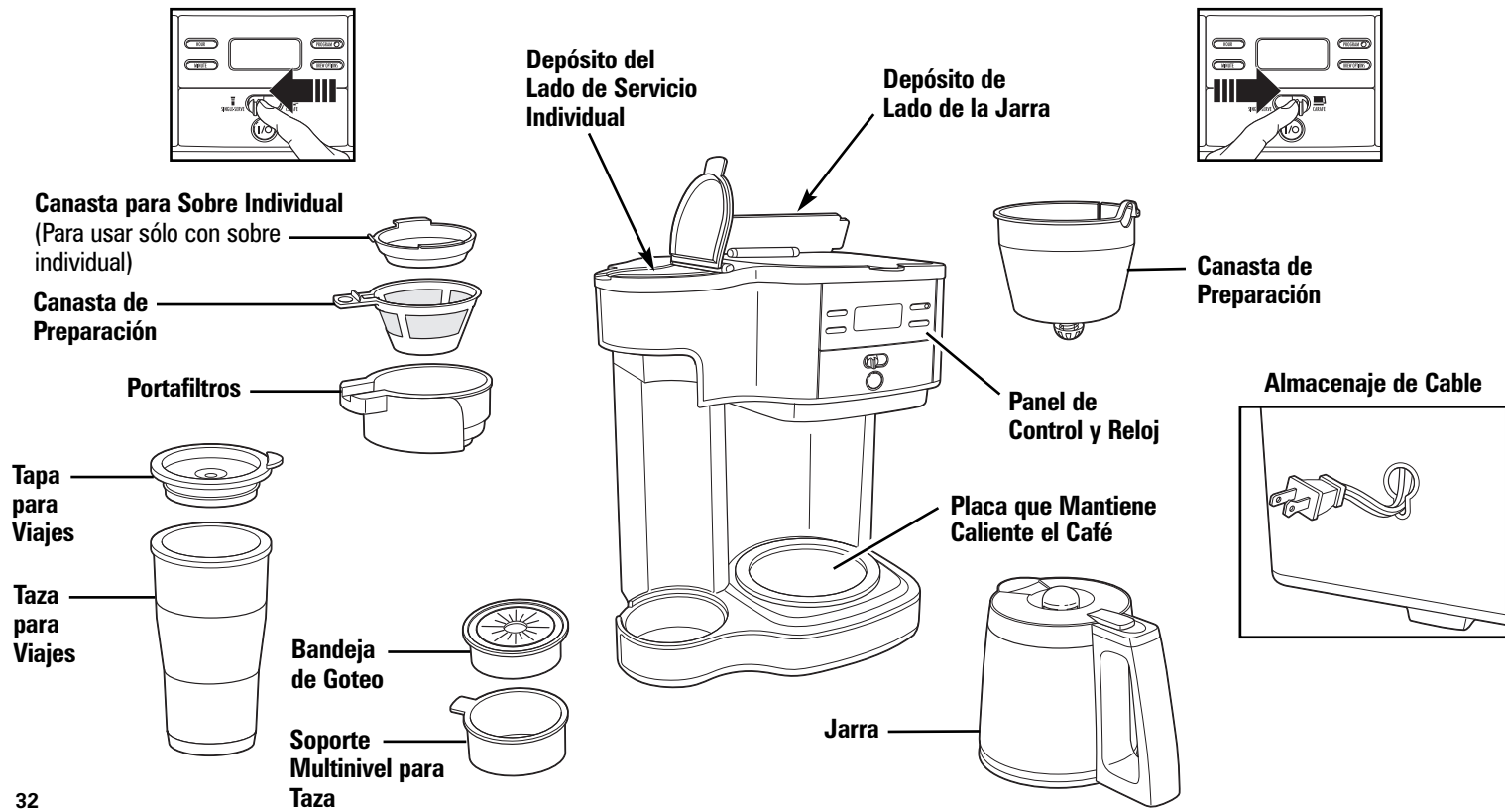
¡ADVERTENCIA! Peligro de Descarga Eléctrica: Este aparato cuenta con un enchufe polarizado (una pata más ancha) que reduce el riesgo de una descarga eléctrica. El enchufe embona únicamente en una dirección dentro de un tomacorriente polarizado. No trate de obviar el propósito de seguridad del enchufe modificándolo de alguna manera o utilizando un adaptador. Si el enchufe no entra completamente en la toma, invierta el enchufe. Si aún no entra, haga que un electricista reemplace la toma.

El largo del cable que se usa en este aparato fue seleccionado para reducir el peligro de que alguien se enganche o tropiece con un cable más largo. Si es necesario usar un cable más largo, se podrá usar un cable de extensión aprobado. La clasificación eléctrica nominal del cable de extensión debe ser igual o mayor que la clasificación nominal del aparato. Es importante tener cuidado de colocar el cable de extensión para que no se pliegue sobre el mostrador o la mesera en donde niños puedan tirar del mismo o tropezarse accidentalmente.

Para evitar una sobrecarga del circuito eléctrico, no use ningún otro aparato electrodoméstico de alto voltaje en el mismo circuito que este aparato.

Lado de Servicio Individual Piezas y Características

Lado de la Jarra Piezas y Características



Cómo Usar el Lado de Servicio Individual

APAGADO AUTOMÁTICO: La cafetera se apagará automáticamente después de finalizar el ciclo de preparación.

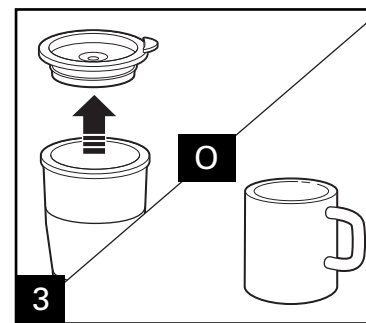
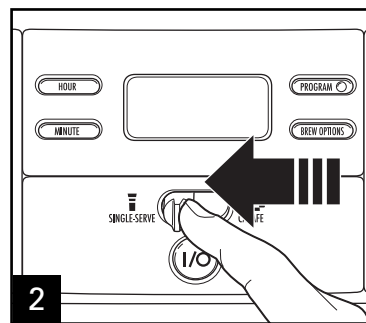
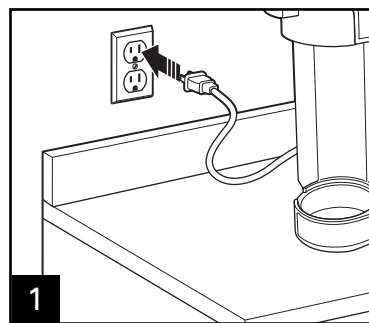
NOTAS:

- La unidad sólo prepara sobre un lado por vez.
- Para evitar los desbordes, utilice menos café cuando prepare cafés descafeinados o saborizados.
- Para café más caliente: Enjuague la taza para viaje con agua tibia antes de la preparación, luego vuelva a colocar la tapa de la taza para viajes. Prepare el café directamente en la taza para viajes con la tapa en su lugar.

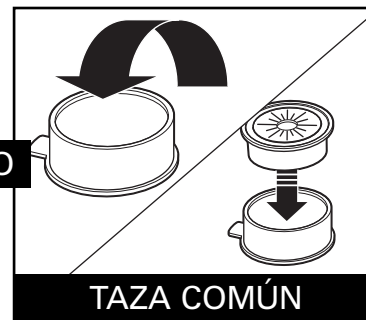
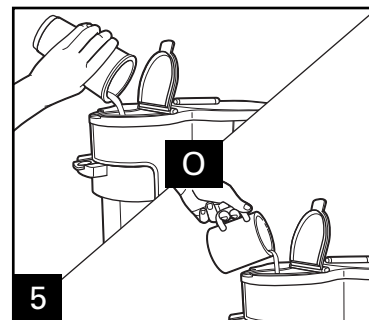
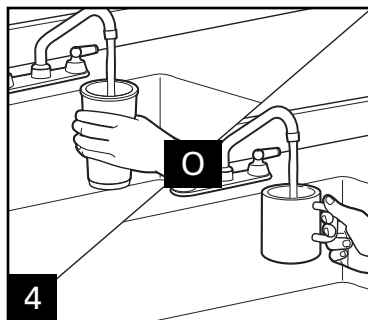
⚠ ADVERTENCIA Peligro de quemaduras.

- Para evitar contacto con café o agua caliente:
- No utilice más de 14 onzas (410 ml) de agua.
 - Llene el depósito de servicio individual con la taza en la que preparará el café.

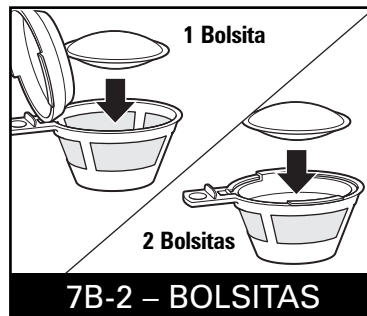
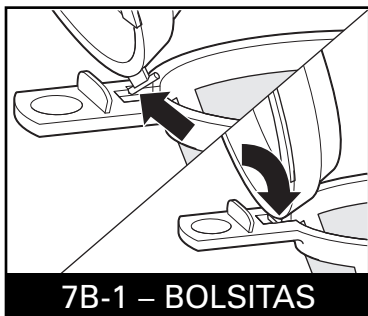
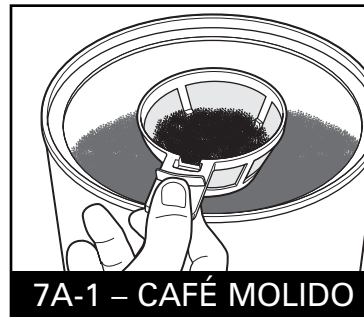
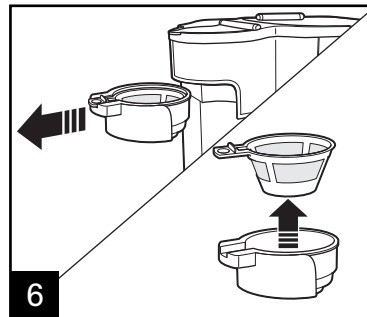
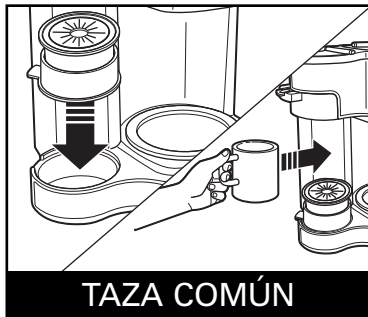
- Coloque la taza totalmente debajo de la portafiltros.
- Esta unidad puede utilizarse con bolsitas individuales Senseo®, disponibles en la sección de café de su tienda local, o el café molido suelto.



Presione la palanca hacia la izquierda para seleccionar servicio individual.



Cómo Usar el Lado de Servicio Individual (cont.)



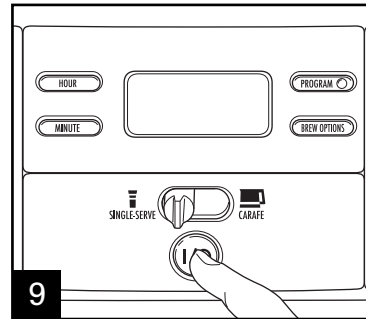
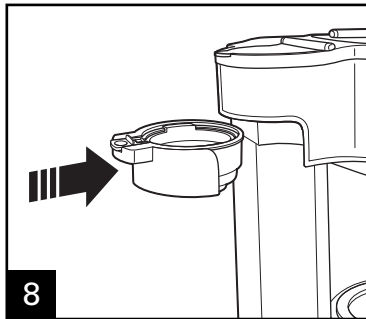
Para armar el soporte de la bolsita: Tome firmemente la canasta de preparación de servicio individual. Introduzca la lengüeta izquierda del soporte primero; luego trabe el lado derecho en su lugar.

Para una café más intenso, utilice dos bolsitas. Se recomiendan dos bolsitas para preparar hasta 14 onzas (410 ml) de café, O si desea un café más intenso.

Para café común, utilice un máximo de dos cucharadas rasas de café. Para evitar los desbordes, utilice menos café cuando prepare cafés descafeinados o saborizados. NO utilice café molido con la canasta para sobres sujeta a la canasta de preparación. **¡ADVERTENCIA!** Mantenga el café molido por debajo de la línea de llenado MAX para evitar desbordes.

La canasta de preparación de servicio individual cuenta con dos marcas: La marca de nivel más bajo si va a preparar un café de 8 oz. (250 ml), y la marca de nivel más alto si va a preparar un café de 14 oz. (410 ml). NO llene hasta el tope porque puede provocarse un desborde.

Cómo Usar el Lado de Servicio Individual (cont.)



Presione le botón **I/O** (ENCENDIDO/APAGADO) para comenzar el flujo de café. La cafetera se apagará cuando haya finalizado la preparación. Para detener el flujo del café a mitad del ciclo, presione el botón **I/O** (ENCENDIDO/APAGADO).

Bolsitas de Café

BOLSITAS	AGUA
1	8 onzas (250 ml) o menos
2	14 onzas (410 ml) o menos

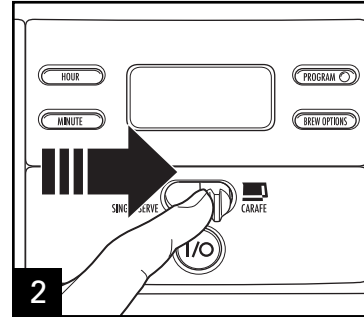
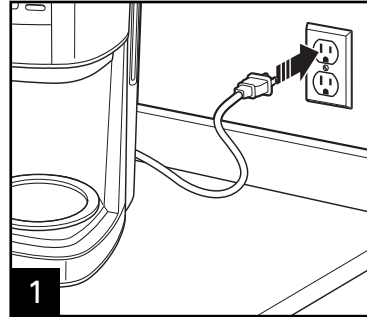
Para mejores resultados, utilice bolsitas Senseo® de 7 g (1/4 onza). Las bolsitas muy grandes no funcionan con esta unidad.

NOTA: Si se utilizan 2 bolsitas con 8 onzas (250 ml) o menos de agua, el café será más intenso.

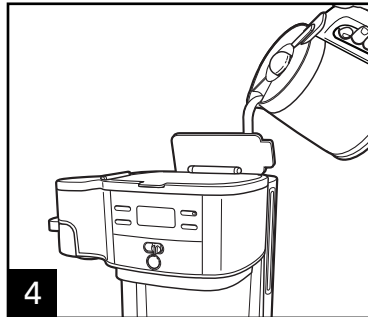
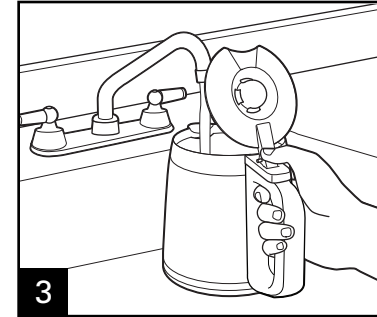
Cómo Usar el Lado de la Jarra

APAGADO AUTOMÁTICO: La cafetera se apagará automáticamente 2 horas después de finalizar el ciclo de preparación.

NOTA: La unidad sólo prepara sobre un lado por vez.

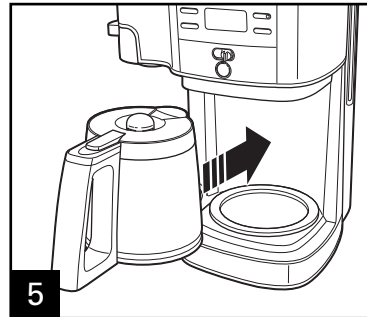


Presione la palanca hacia la derecha para seleccionar la jarra.

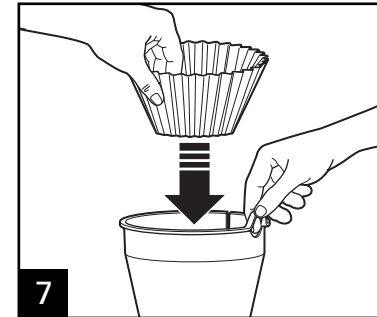
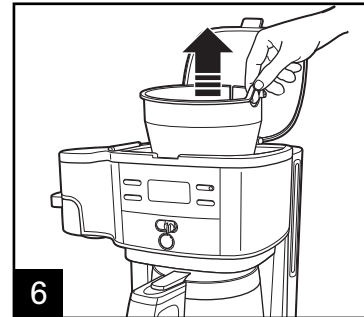


Levante la tapa y vierta el agua de la jarra en el depósito.
NOTA: No llene más que la marca de 12 tazas (60 ounces [1.8 L]).

36

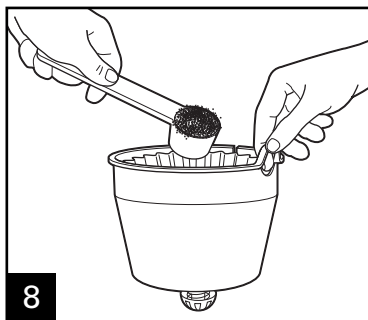


Coloque la jarra, con la tapa puesta, sobre la placa que mantiene caliente el café.

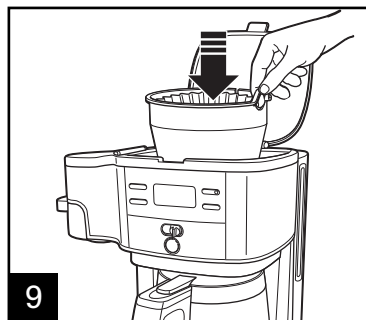


Coloque el filtro de papel estilo moldecitos de magdalenas dentro de la canasta de preparación. También se puede utilizar un filtro permanente.

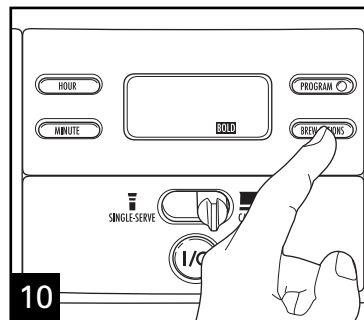
Cómo Usar el Lado de la Jarra (cont.)



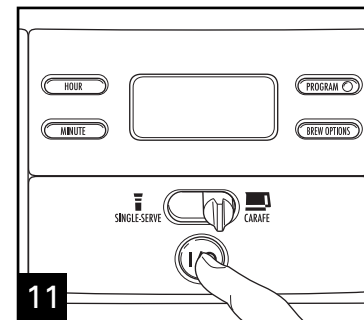
8 Por cada taza de café que desee preparar, coloque en el filtro una cucharada (15 ml) grande al ras de café.



9 Coloque la canasta de preparación en el pozo de la canasta de preparación. Asegúrese de que la canasta de preparación esté bien colocada y derecha.



10 Para un café de sabor mejorado/más intenso, presione el botón **BREW OPTIONS** (opciones de preparación) hasta que aparezca **BOLD** (intenso).



11 Presione el botón **I/O** (ENCENDIDO/APAGADO) para comenzar. Presione el botón **I/O** (ENCENDIDO/APAGADO) de nuevo para apagar.

NOTA: Si la cafetera no se apaga en forma manual, ésta se apagará automáticamente en 2 horas.

Para Solicitar un Filtro Permanente u Otras Piezas o Accesorios:

1.800.851.8900 (U.S.)

1.800.267.2826 (Canada)

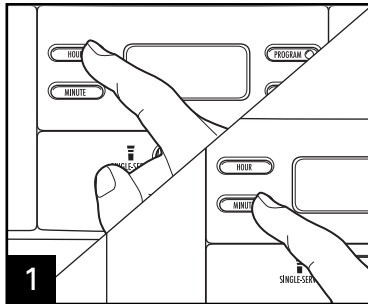
01.800.71.16.100 (Mexico)

O visite hamiltonbeach.com

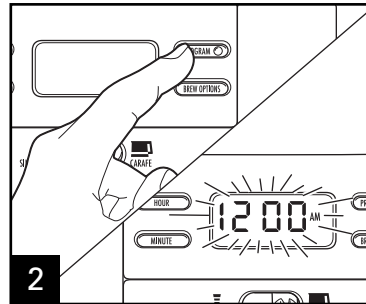
NOTE: Los modo **BOLD** (intenso) requerirán tiempo adicional para completar un ciclo de preparación. Si una Opción de Preparación no se selecciona, la cafetera preparará automáticamente en el ajuste regular/predeterminado.

Programación (Para el Lado de Servicio Individual O de la Jarra)

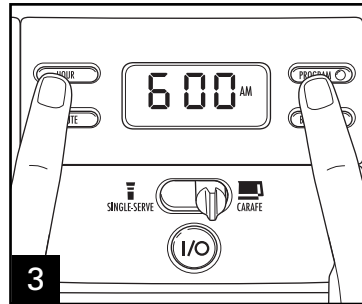
NOTA: La unidad sólo prepara sobre un lado por vez.



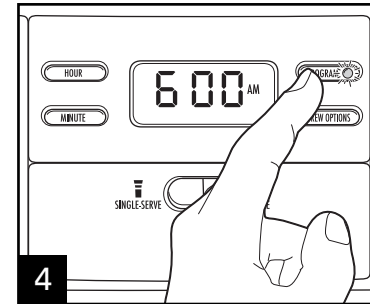
1 Presione **HOUR** (hora) y luego **MINUTE** (minuto) para configurar el reloj.



2 Sostenga **PROGRAM** (programa) hasta que el reloj comience a destellar.



3 Continúe sosteniendo el botón **PROGRAM**, presione **HOUR** y **MINUTE** hasta alcanzar el tiempo deseado de inicio de preparación, luego libere el botón **PROGRAM**.



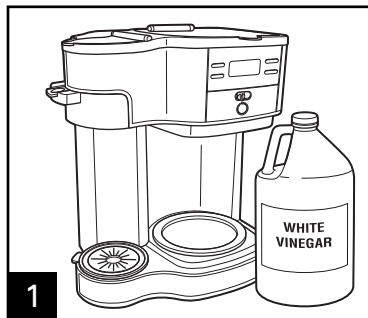
4 Presione **PROGRAM** para activar la preparación automática. Una luz LED verde se iluminará para indicar que la unidad esté programada.

Consejos para Lograr un Café Más Rico

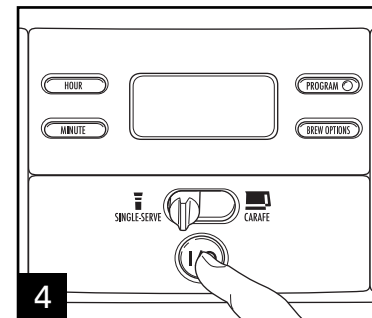
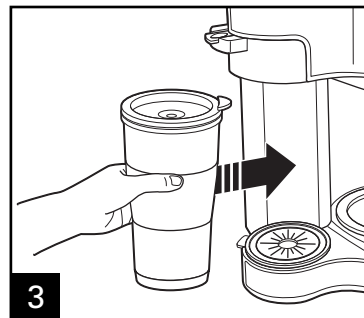
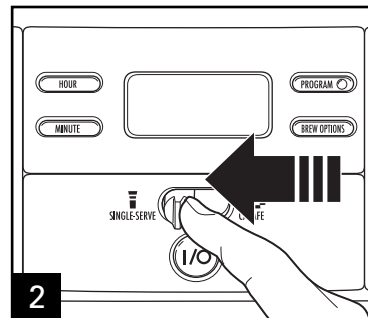
- Todos los cafés están hechos de granos de arábica o robusta, o de una combinación de ambos. Los granos de arábica son un poco más caros pero tienden a producir un café de mejor sabor.
- El café molido se pone rancio más rápido que los granos enteros. Si compra café premolido, elija un paquete con la fecha de vencimiento más alejada o de menor cantidad.
- Si va a moler granos enteros, configure su molino de café en un molido fino/mediano. Esto genera el café molido de mejor sabor. Trate de utilizar el café recién molido dentro de la semana de molido.
- Usar un filtro de agua, agua filtrada o agua mineral genera un café más rico que usar agua de grifo.
- Utilice aproximadamente 1 cucharada (15 ml) de café molido por cada taza de café a preparar. Para evitar desbordes, utilice un poco menos de café (3/4 cucharada [11 ml]) cuando prepare cafés descafeinados o saborizados. Además, tenga en cuenta que usar café molido muy fino también puede provocar desbordes en la canasta del filtro.
- Asegúrese de que su cafetera esté limpia. Ver las secciones "Cuidado y Limpieza".

Cuidado y Limpieza – Lado de Servicio Individual

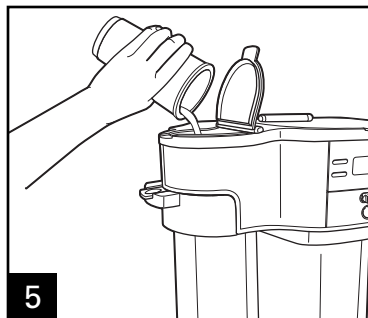
Todas las cafeteras deben limpiarse por lo menos una vez por mes (una vez por semana en áreas de agua dura).



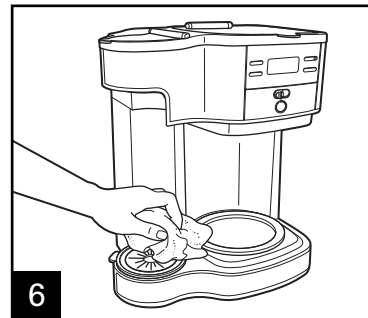
Vierta 1/2 taza (125 ml) de vinagre blanca y 1/2 taza (125 ml) de agua fría dentro del depósito de servicio individual.



Presione el botón **I** (ENCENDIDO). Presione el botón **O** (APAGADO) después de 30 segundos y espere 30 minutos. Presione el botón **I** (ENCENDIDO). Presione el botón **O** (APAGADO) cuando termine.



Haga 2-3 ciclos de preparación más con AGUA LIMPIA solamente. Deje enfriar entre ciclos.



RESISTENTE AL LAVAVAJILLAS

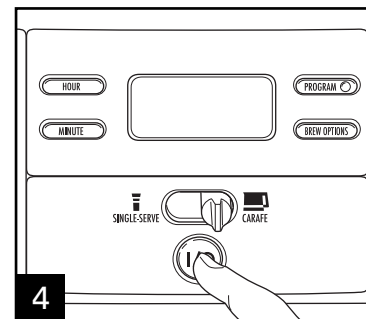
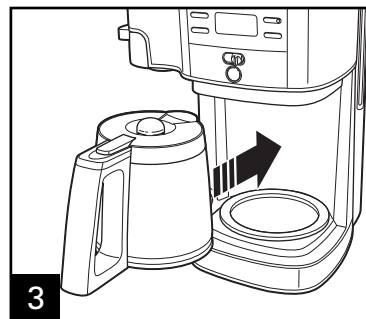
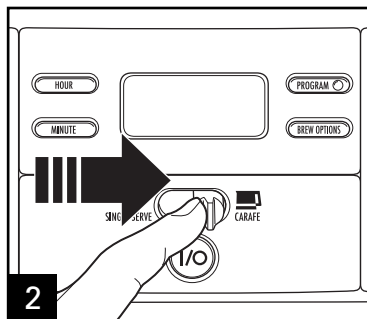
No utilice la configuración "SANI" cuando la lave en el lavavajillas. Las temperaturas del ciclo "SANI" pueden dañar su producto.

Cuidado y Limpieza – Lado de la Jarra

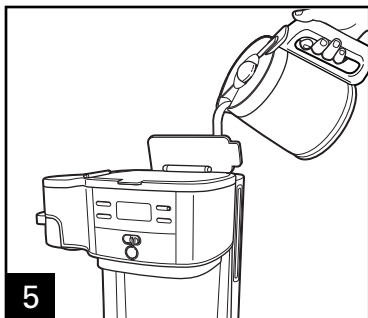
Todas las cafeteras deben limpiarse por lo menos una vez por mes (una vez por semana en áreas de agua dura).



Coloque 1 pinta (2 tazas/500 ml) de vinagre en el depósito de lado de la jarra.

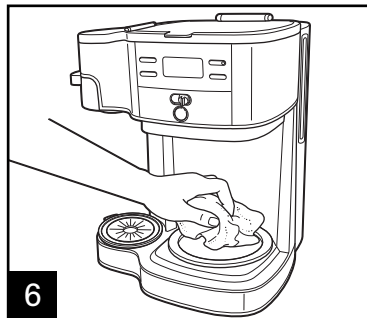


Presione el botón **I** (ENCENDIDO). Presione el botón **O** (APAGADO) después de 30 segundos y espere 30 minutos. Presione el botón **I** (ENCENDIDO). Presione el botón **O** (APAGADO) cuando termine.



Haga 2-3 ciclos de preparación más con AGUA LIMPIA solamente. Deje enfriar entre ciclos.

40



No utilice la configuración "SANI" cuando la lave en el lavavajillas. Las temperaturas del ciclo "SANI" pueden dañar su producto.

Resolviendo Problemas (Lado de Servicio Individual)

PROBLEMA**CAUSA PROBABLE**

Café poco cargado.

- No se ha utilizado suficiente café molido. Si usa bolsitas, asegúrese de que las bolsitas estén centradas en la canasta para sobre individual y/o la canasta de preparación y utilice dos bolsitas para un café más intenso. Ver "Cómo Usar el Lado de Servicio Individual".

El café se derrama de la canasta de preparación, taza para viaje o taza común.

- Una cantidad excesiva de agua en el depósito de servicio individual. Utilice la taza para viaje o taza común en la que preparará el café para llenar el depósito. Utilice menos café cuando prepare cafés descafeinados o saborizados. Ajuste el molino de café a molido goteo automático.

El café sabe mal.

- La cafetera necesita limpiarse.
- El café molido es muy grueso o muy fino. Ajuste el molino de café a molido goteo automático.
- El café es de baja calidad y frescura.
- El agua es de baja calidad (use agua filtrada o embotellada).

Resolviendo Problemas *(Lado de la Jarra)*

PROBLEMA

CAUSA PROBABLE

El portafiltros se desborda o la preparación del café es muy lenta.

- Cantidad de café molido en exceso.
- El café descafeinado y/o el café molido muy fino pueden provocar desbordes en la canasta de preparación. Ajuste el molino de café a molido goteo automático y utilice menos café.
- La cafetera necesita limpiarse.
- Si utiliza un filtro de papel:**
 - Hay granos de café entre el filtro de papel y la canasta de preparación.
 - El filtro de papel no está abierto ni en la posición apropiada.
 - Enjuague la canasta de preparación antes de insertar el filtro de papel para que los bordes permanezcan presionados contra los lados de la canasta.
 - El filtro de papel es de baja calidad.

Hay pérdidas de café en la base.

- Se ha quitado la jarra de la placa que mantiene caliente el café por más de 20 segundos durante el ciclo de preparación.

El café sabe mal.

- La cafetera necesita limpiarse.
- El café molido es muy grueso o muy fino. Ajuste el molino de café a molido goteo automático.
- La cantidad de café-agua no es la correcta. Ajuste según la preferencia personal.
- El café es de baja calidad y fresca.
- El agua es de baja calidad (use agua filtrada o embotellada).

Resolviendo Problemas (Lado de la Jarra) (cont.)

PROBLEMA**CAUSA PROBABLE**

Sedimentos de café en la taza.

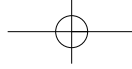
- Use un filtro de papel tipo canastilla de alta calidad en lugar del filtro de café permanente opcional.

No está en marcha la preparación del café/ la unidad no enciende.

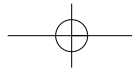
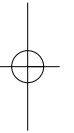
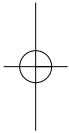
- La jarra no se ha colocado en la placa que mantiene caliente el café.
- El recipiente del agua está vacío.
- La unidad está desenchufada.
- Corte de corriente.
- Subida de voltaje. Desenchufe, luego enchufe la unidad de nuevo.
- El reloj necesita ser reajustado después de un corte de corriente.

Tiempo de preparación más largo de lo normal.

- Depósitos minerales pueden acumularse en la bomba de la cafetera. Se recomienda una limpieza periódica de la unidad. Es posible que sea necesaria una limpieza más frecuente, dependiendo de la dureza del agua de su casa. Vea la sección "Cuidado y Limpieza – Lado de la Jarra".
- NOTA:** No desarme la unidad.



Notas



Hamilton Beach®

Grupo HB PS, S.A. de C.V.
Monte Elbruz No. 124 Int. 601
Col. Palmitas Polanco
México, D.F. C.P. 11560
01-800-71-16-100

PÓLIZA DE GARANTÍA

PRODUCTO:	MARCA:	MODELO:
<p>Grupo HB PS, S.A. de C.V. cuenta con una Red de Centros de Servicio Autorizada, por favor consulte en la lista anexa el nombre y dirección de los establecimientos en la República Mexicana en donde usted podrá hacer efectiva la garantía, obtener partes, componentes, consumibles y accesorios; así como también obtener servicio para productos fuera de garantía. Para mayor información llame sin costo: Centro de Atención al consumidor: 01 800 71 16 100</p>		
<p>Grupo HB PS, S.A. de C.V. le otorga a partir de la fecha de compra: GARANTÍA DE 1 AÑO.</p>		
COBERTURA		
<ul style="list-style-type: none"> • Esta garantía ampara, todas las piezas y componentes del producto que resulten con defecto de fabricación incluyendo la mano de obra. • Grupo HB PS, S.A. de C.V. se obliga a reemplazar, reparar o reponer, cualquier pieza o componente defectuoso; proporcionar la mano de obra necesaria para su diagnóstico y reparación, todo lo anterior sin costo adicional para el consumidor. • Esta garantía incluye los gastos de transportación del producto que deriven de su cumplimiento dentro de su red de servicio. 		
LIMITACIONES		
<ul style="list-style-type: none"> • Esta garantía no ampara el reemplazo de piezas deterioradas por uso o por desgaste normal, como son: cuchillas, vasos, vasos, filtros, etc. • Grupo HB PS, S.A. de C.V. no se hace responsable por los accidentes producidos a consecuencia de una instalación eléctrica defectuosa, ausencia de toma de tierra, clavija de enchufe en mal estado, etc. 		
EXCEPCIONES		
<p>Esta garantía no será efectiva en los siguientes casos:</p> <ol style="list-style-type: none"> a) Cuando el producto se hubiese utilizado en condiciones distintas a las normales. (Uso industrial, semi-industrial o comercial.) b) Cuando el producto no hubiese sido operado de acuerdo con el instructivo de uso. c) Cuando el producto hubiese sido alterado o reparado por personas no autorizadas por Grupo HB PS, S.A. de C.V. el fabricante nacional, importador o comercializador responsable respectivo. d) Esta garantía pierde su validez si el producto es utilizado en un medio diferente a una vivienda unifamiliar o se somete a cualquier voltaje o forma de onda diferente a la especificada en la etiqueta de clasificación (ej., 120V ~ 60 Hz). <p>El consumidor puede solicitar que se haga efectiva la garantía ante la propia casa comercial donde adquirió su producto, siempre y cuando Grupo HB PS, S.A. de C.V. no cuente con talleres de servicio.</p>		

PROCEDIMIENTO PARA HACER EFECTIVA LA GARANTÍA

- Para hacer efectiva la garantía no deben exigirse mayores requisitos que la presentación del producto y la póliza correspondiente, debidamente sellada por el establecimiento que lo vendió.
- Para hacer efectiva la garantía, lleve su aparato al Centro de Servicio Autorizado más cercano a su domicilio (consulte la lista anexa).
- Si no existe Centro de Servicio Autorizado en su localidad llame a nuestro Centro de Atención al Consumidor para recibir instrucciones de como hacer efectiva su garantía.
- El tiempo de reparación, en ningún caso será mayor de 30 días naturales contados a partir de la fecha de recepción del producto en nuestros Centros de Servicio Autorizados.
- En caso de que el producto haya sido reparado o sometido a mantenimiento y el mismo presente deficiencias imputables al autor de la reparación o del mantenimiento dentro de los treinta días naturales posteriores a la entrega del producto al consumidor, éste tendrá derecho a que sea reparado o mantenido de nuevo sin costo alguno. Si el plazo de la garantía es superior a los treinta días naturales, se estará a dicho plazo.
- El tiempo que duren las reparaciones efectuadas al amparo de la garantía no es computable dentro del plazo de la misma. Cuando el bien haya sido reparado se iniciará la garantía respecto de las piezas repuestas y continuará con relación al resto. En el caso de reposición del bien deberá renovarse el plazo de la garantía.

DÍA__ MES__ AÑO__

Si desea hacer comentarios o sugerencias con respecto a nuestro servicio o tiene alguna queja derivada de la atención recibida en alguno de nuestros Centros de Servicio Autorizados, por favor dirigirse a:

GERENCIA INTERNACIONAL DE SERVICIO
01 800 71 16 100
Email: mexico.service@hamiltonbeach.com.mx

RED DE CENTROS DE SERVICIO AUTORIZADA GRUPO HB PS, S.A. DE C.V.

Distrito Federal

ELECTRODOMÉSTICOS

Av. Plutarco Elias Cailles No. 1499

Zacahuitzco MEXICO 09490 D.F.

Tel: 01 55 5235 2323 • Fax: 01 55 5243 1397

CASA GARCIA

Av. Patriotismo No. 875-B

Mixcoac MEXICO 03910 D.F.

Tel: 01 55 5563 8723 • Fax: 01 55 5615 1856

Nuevo Leon

FERNANDO SEPULVEDA REFACCIONES

Ruperto Martínez No. 238 Ote.

Centro MONTERREY, 64000 N.L.

Tel: 01 81 8343 6700 • Fax: 01 81 8344 0486

Jalisco

SERVICIOS DE MANTENIMIENTO CASTILLO

Garibaldi No. 1450

Ladrón de Guevara

GUADALAJARA 44660 Jal.

Tel: 01 33 3825 3480 • Fax: 01 33 3826 1914

Chihuahua

DISTRIBUIDORA TURMIX

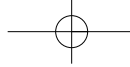
Av. Paseo Triunfo de la Rep. No. 5289 Local 2 A.

Int. Hipermart

Alamos de San Lorenzo

CD. JUAREZ 32340 Chih.

Tel: 01 656 617 8030 • Fax: 01 656 617 8030

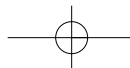


Modelo:
49980

Tipo:
A77

Características Eléctricas:
120V ~ 60Hz 950W

Los modelos incluidos en el instructivo de Uso y Cuidado pueden ir seguidos o no por un sufijo correspondiente a una o varias letras del alfabeto y sus combinaciones, separadas o no por un espacio, coma, diagonal, o guión. Como ejemplos los sufijos pueden ser: "Y" y/o "MX" y/o "MXY" y/o "Z".



Free Manuals Download Website

<http://myh66.com>

<http://usermanuals.us>

<http://www.somanuals.com>

<http://www.4manuals.cc>

<http://www.manual-lib.com>

<http://www.404manual.com>

<http://www.luxmanual.com>

<http://aubethermostatmanual.com>

Golf course search by state

<http://golfingnear.com>

Email search by domain

<http://emailbydomain.com>

Auto manuals search

<http://auto.somanuals.com>

TV manuals search

<http://tv.somanuals.com>