

READ BEFORE USE
LIRE AVANT UTILISATION
LEA ANTES DE USAR

Visit www.hamiltonbeach.com for our complete line of products and Use and Care Guides – as well as delicious recipes, tips, and to register your product online!

Rendez-vous sur www.hamiltonbeach.ca pour notre liste complète de produits et de nos manuels utilisateur – ainsi que nos délicieuses recettes, nos conseils et pour enregistrer votre produit en ligne !

¡Visite www.hamiltonbeach.com.mx para obtener nuestra línea completa de productos y las Guías de Uso y Cuidado, además de deliciosas recetas, consejos y para registrar su producto en línea!

Questions?
Please call us – our friendly associates are ready to help.
USA: 1.800.851.8900

Questions ?
N'hésitez pas à nous appeler – nos associés s'empresseront de vous aider.
CAN : 1.800.267.2826

¿Preguntas?
Por favor llámenos – nuestros amables representantes están listos para ayudar.
MEX: 01 800 71 16 100
Le invitamos a leer cuidadosamente este instructivo antes de usar su aparato.

840221101

Durathon™ Iron

Fer à repasser
Plancha

**Hamilton
Beach®**



English 2
Français 15
Español 29

IMPORTANT SAFETY INSTRUCTIONS

When using your flatiron, basic safety precautions should always be followed, including the following:

READ ALL INSTRUCTIONS BEFORE USING

1. Only use an iron for its intended use.
2. To avoid the risk of electric shock, do not immerse the iron in water or other liquids.
3. Always turn the iron to OFF before plugging or unplugging the iron from the electrical outlet. Never pull on the cord to disconnect the iron from the electrical outlet; instead, grasp the plug and pull on the plug to disconnect the iron.
4. Do not let the cord touch hot surfaces. Let the iron cool completely before putting the iron away. Coil the cord loosely around the iron for storing.
5. Always disconnect the iron from the electrical outlet before filling the iron with water, emptying the water from the iron, and when the iron is not in use.
6. Do not operate the iron with a damaged cord or in the event the iron has been dropped or damaged or there are visible signs of damage or it is leaking. To avoid the risk of electric shock, do not disassemble the iron. Take it to a qualified serviceman for examination and repair. Incorrect assembly might result in a risk of electric shock when the iron is used after reassembly.
7. The iron must be used and rested on a stable surface.
8. When placing the iron on its stand, ensure that the surface on which the stand is placed is stable.
9. Close supervision is required for any appliance used by or near children. Do not leave the iron unattended while the iron is connected or on an ironing board.
10. Burns can occur from touching hot metal parts, hot water, or steam. Use caution when you turn a steam iron upside down—there might be hot water in the reservoir.
11. To avoid a circuit overload, do not operate an iron on the same circuit with another high-wattage appliance.
12. If an extension cord is absolutely necessary, a cord with an ampere rating equal to or greater than the maximum rating of the iron shall be used. A cord rated for less amperage can result in a risk of fire or electric shock due to overheating. Care shall be taken to arrange the cord so that it cannot be pulled or be tripped over.

SAVE THESE INSTRUCTIONS!

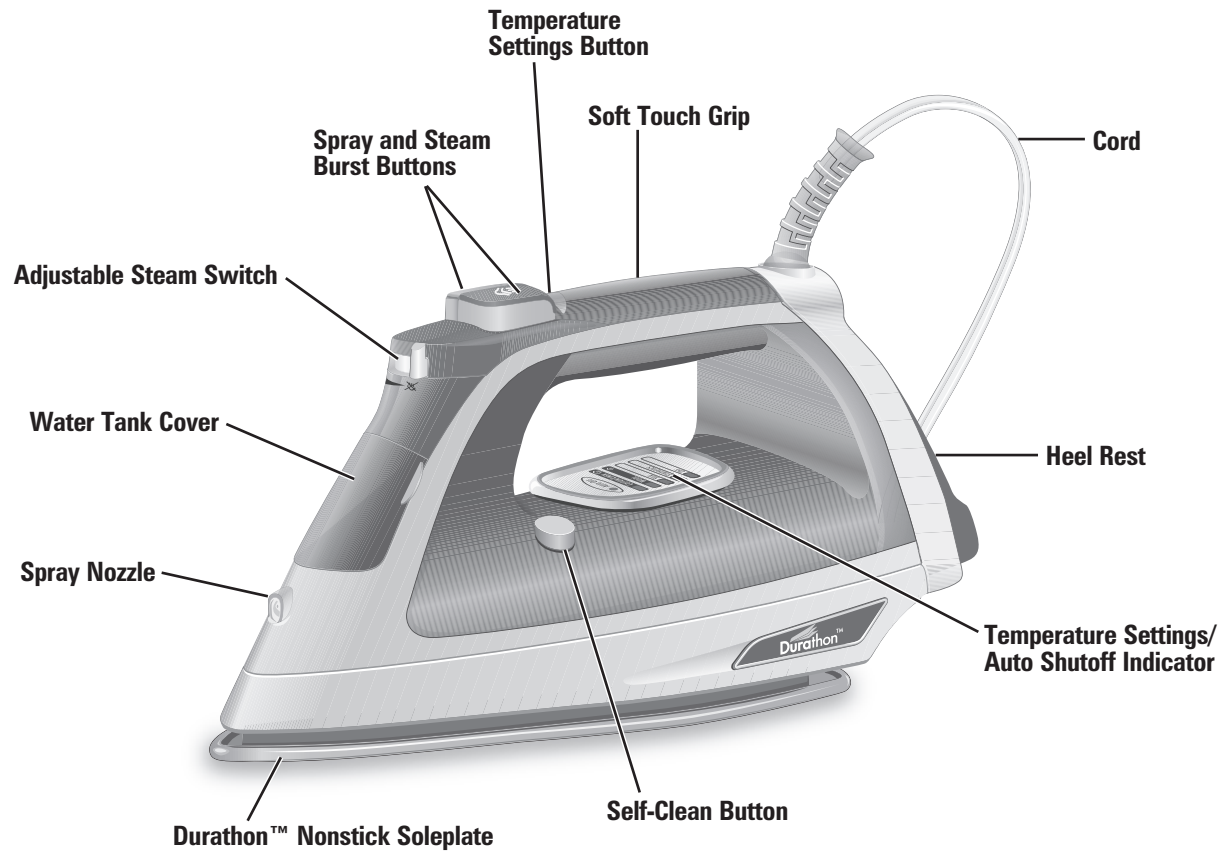
Other Consumer Safety Information

This product is intended for household use only.

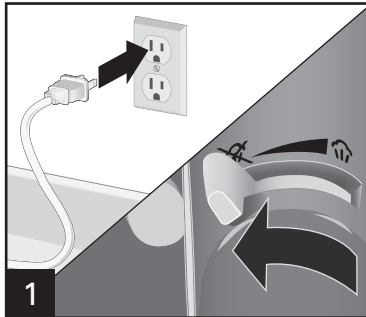
WARNING! Shock Hazard: This appliance has a polarized plug (one wide blade) that reduces the risk of electric shock. The plug fits only one way into a polarized outlet. Do not defeat the safety purpose of the plug by modifying the plug in any way or by using an adapter. If the plug does not fit fully into the outlet, reverse the plug. If it still does not fit, have an electrician replace the outlet.


- Use the iron on an ironing board. Ironing on any other surface may damage that surface.
- Do not iron or vertical-steam clothes that are being worn.
- Do not use vertical steam in the direction of people or pets.
- During first use of the iron, it may appear to smoke. This will stop and does not indicate a defect or hazard.
- Many irons spit or sputter during the first few uses with tap water. This happens as the steam chamber becomes conditioned. This will stop after a few uses.
- To clean steam vents before first use, prepare iron for steam ironing and then iron over an old cloth for a few minutes while letting the iron steam. Press the Steam Burst button several times to clean the vents. Then follow the self-cleaning instructions on page 11.

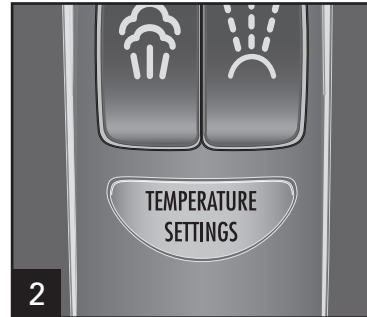
Parts and Features



How to Dry Iron



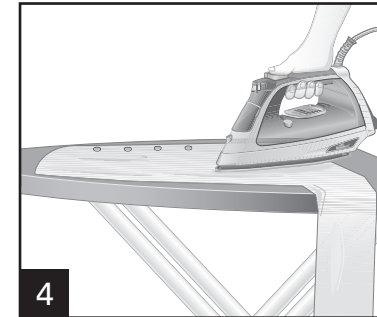
1 Set the Adjustable Steam Switch to  (Dry Iron).



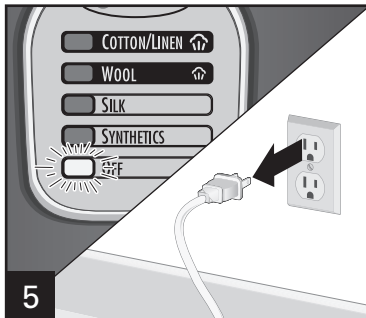
2 Press Temperature Settings Button to turn iron on and continue pressing until desired temperature is illuminated.



3 Allow 2 minutes for iron to reach maximum temperature. The light will blink while preheating.






4



5 To turn iron off, press Temperature Settings Button until OFF is illuminated. The light will stay on until iron is unplugged.

POSITION SENSING/AUTO SHUTOFF


The iron will turn off automatically when left in the following positions. The Auto Shutoff time varies based on the iron's position.

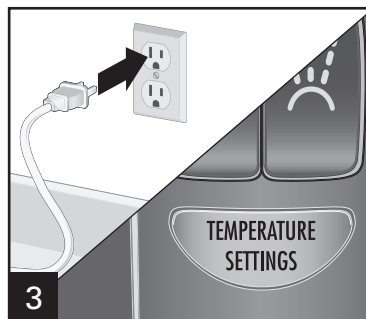
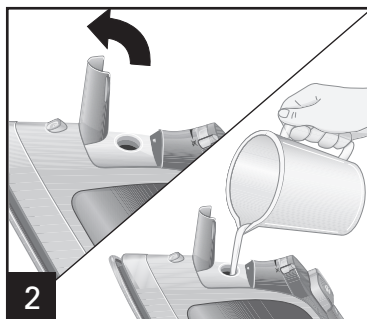
IRON POSITION		MOTIONLESS TIME
Resting on soleplate		30 seconds
Resting on either side		30 seconds
Resting on heel		15 minutes

NOTE: Tilting the iron more than 30 degrees will reset the Auto Shutoff sensor.

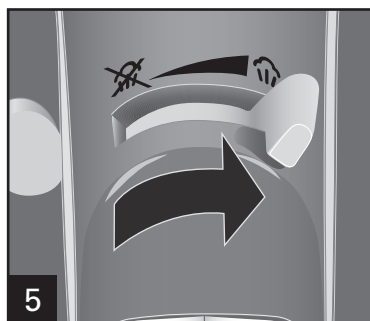
How to Steam Iron



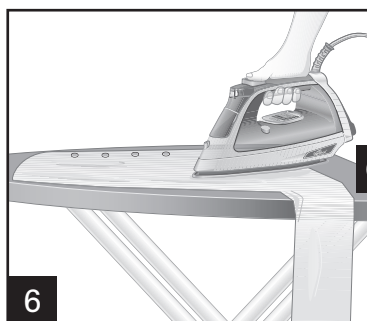
1 Set the Adjustable Steam Switch to  (Dry Iron).



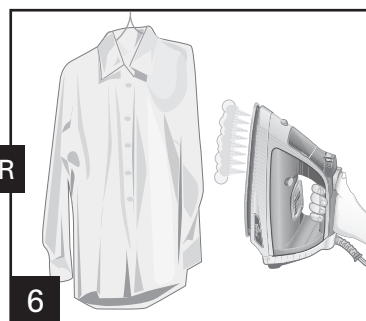
4 Allow 2 minutes for iron to reach maximum temperature. The light will blink while preheating.



5 Set Adjustable Steam Switch to the desired steam level.



OR

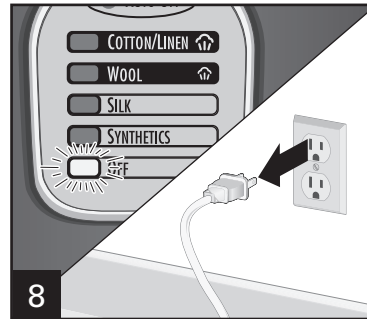


6 For vertical steaming, hold iron 6 inches (15 cm) from garment and do not allow hot soleplate to touch delicate garments. Press and release the Steam Burst Button to steam out wrinkles. Wait at least 5 seconds before pressing Steam Burst Button again.

How to Steam Iron (cont.)






To turn iron off, set Adjustable Steam Switch to ☒ (Dry Iron).



Press Temperature Settings Button until OFF is illuminated. The light will stay on until iron is unplugged.

POSITION SENSING/AUTO SHUTOFF



The iron will turn off automatically when left in the following positions. The Auto Shutoff time varies based on the iron's position.

IRON POSITION		MOTIONLESS TIME
Resting on soleplate		30 seconds
Resting on either side		30 seconds
Resting on heel		15 minutes

NOTE: Tilting the iron more than 30 degrees will reset the Auto Shutoff sensor.

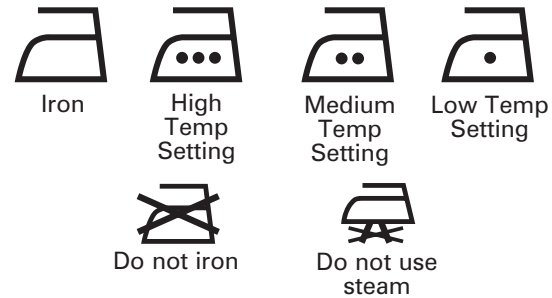
Fabric Setting Chart

NOTICE: To avoid garment damage, check garment label for fabric composition and ironing instructions.

Steam Setting	Temperature Setting	Ironing Instructions
 Dry Iron	OFF	OFF
	Synthetics • Low	Dry iron using spray if necessary.
 Steam Range	Silk, Wool •• Medium	Iron silk on wrong side.
	Cotton, Linen ••• High	For cotton, iron while still damp or use spray. For linen, iron fabric on wrong side.

Garment Label Symbols

Fabric care labels on garments have symbols that show ironing instructions and recommended temperature settings. These symbols are shown below along with an explanation of their meaning.



Tips for Best Ironing Results

FABRIC FACTS AND LABELS:

Every fabric is different and should be treated accordingly. The label inside clothing or linens should recommend fabric care instructions that include ironing treatment. As a general rule, these instructions should be followed. If the fabric is a blend, use a low temperature setting. If you do not know what the content of the fabric is, use the lowest temperature first and test on an inside seam.

PREPARE TO IRON:

1. Cover your ironing board with a padded, heat-resistant cover. Brush or wipe off any dust, dirt, or debris so it doesn't end up on your clothes.
2. To set the height of the ironing board, stand with your elbows bent at right angles; then drop your hands slightly so that your arms are in a comfortable position. Set the height of your ironing board to this height.
3. Check the soleplate (the surface of the iron that meets the fabric) for mineral deposits or scorched material before you begin ironing. If these deposits or minerals are left on the soleplate, they may end up on your clothes. Unsure? Test-glide the iron on a rag or old towel first.

TEST KITCHEN TIP: To clean an iron's soleplate, preheat the iron to the highest temperature setting and iron over a damp, 100% cotton cloth. This creates heavy steam that transfers grime from the soleplate to the cloth. Many irons have a Self-Clean Button. This will clean the steam holes, but it will not remove grime from the flat surface of the soleplate. **NOTE: Care should be used while cleaning; steam can burn.**

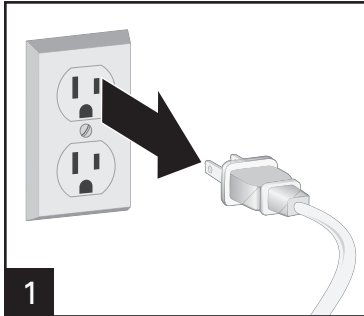
FAST FACTS:

- Don't iron in a circular motion as this can stretch fabric. Instead, iron lengthwise.
- Natural fibers such as cotton and linen should be ironed slightly damp for faster, easier ironing. If they are completely dry, use maximum steam while ironing or mist them with water prior to ironing.
- Any portion of a garment that has 2 layers of fabric such as pockets, seams, collars, and cuffs should be ironed inside out first.
- To press a collar, iron from the points in using small strokes of the iron. After wrinkles are pressed out, crease the collar into place by hand—not with the iron. Treat French cuffs similarly, gently creasing by hand after ironing.

IRONING VERSUS PRESSING:

- You may have heard the terms "ironing" and "pressing" used interchangeably, but they are actually quite different. When ironing, you slide the iron back and forth over fabric. When pressing, the iron is placed and held on the fabric in one spot, lifted up, and this process is repeated until the areas that need attention are smooth. A "pressing" technique is helpful to avoid stretching fabrics.
- A pressing cloth can help reduce unwanted "shine" on fabrics. You can purchase a pressing cloth in the laundry care section, or a clean white dishtowel or 100% cotton pillowcase works equally well. You do not need to increase the recommended iron temperature when using a pressing cloth.

Care and Cleaning



Allow iron to cool.



To empty water from iron, open the water tank cover and slowly tilt pointed end of iron over sink until water runs out.



Do not store iron laying flat on soleplate.

Soleplate Care

To clean an iron's soleplate, preheat the iron to the highest temperature setting and iron over a damp, 100% cotton cloth. This creates heavy steam that transfers grime from the soleplate to the cloth. Many irons have a Self-Clean Button. This will clean the steam holes, but it will not remove grime from the flat surface of the soleplate.

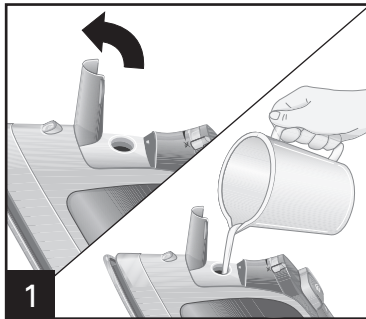
NOTE: Care should be used while cleaning; steam can burn.

NOTICE: To avoid damage to the iron soleplate:

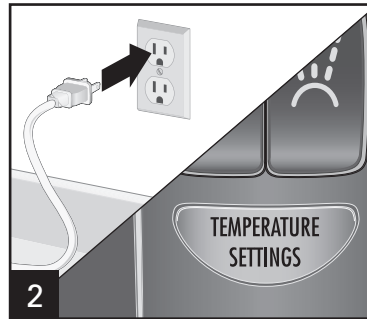
- Never iron over zippers, buttons, pins, metal rivets, or snaps, since they may scratch the soleplate surface.
- Allow the iron to cool and wipe with a soapy, soft damp cloth to clean occasional buildup on the soleplate. Never use abrasive cleaners or metal scouring pads, since they may scratch the surface.

Self-Clean Feature

To keep the steam vents clear of any buildup, follow these instructions each time you iron using steam.



1



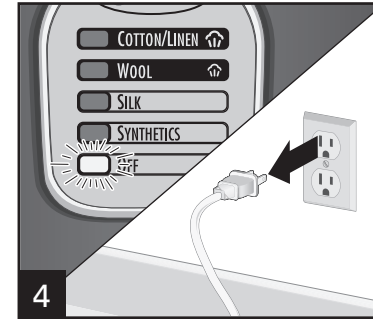
2

Press Temperature Settings Button until COTTON/LINEN is illuminated.



3

Let iron heat until light stops blinking.



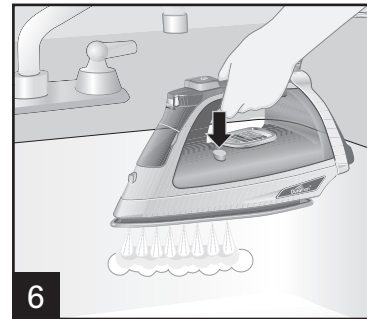
4

Press Temperature Settings Button until OFF is illuminated. The light will stay on until iron is unplugged.



5

Hold iron over sink.



6

Press and hold the Self-Clean Button until tank is empty.

Troubleshooting

PROBLEM	PROBABLE CAUSE
Iron won't heat.	<ul style="list-style-type: none">• Is iron plugged in and the outlet working? Check outlet by plugging in a lamp.• Has a temperature been selected?• Is the Auto Off light illuminated? Move or tilt the iron to reset.
Water is leaking.	<ul style="list-style-type: none">• Do not overfill the water tank.• Adjust steam to a lower setting.• If steam ironing, is the Adjustable Steam Switch in a steam position? Has a temperature been selected? Did the iron have enough time to preheat?• If dry ironing, make sure the Adjustable Steam Switch is in the ☒ (Dry Iron) position.
Iron won't steam.	<ul style="list-style-type: none">• Check water level.• Is the Adjustable Steam Switch in the ☒ (Steam) position?• Has the iron had enough time to preheat?• Anti-drip feature will not allow steam when temperature setting is in the dry range.
Iron leaves spots on clothing.	<ul style="list-style-type: none">• ALWAYS empty water tank after using. Water left in tank may discolor clothing and soleplate.
Twisted cord.	<ul style="list-style-type: none">• If the iron cord should become twisted, unplug iron and let cool. Hold iron cord in the middle of entire length. Let plug and iron dangle freely until cord uncoils. This will extend the life of the iron cord.
Wrinkles not removed.	<ul style="list-style-type: none">• Choose correct temperature setting for your fabric.
Iron too hot/not hot enough.	<ul style="list-style-type: none">• Adjust temperature to desired setting. Let iron cool down 5 minutes before continuing.

Notes

Limited Warranty

This warranty applies to products purchased and used in the U.S. and Canada. This is the only express warranty for this product and is in lieu of any other warranty or condition.

This product is warranted to be free from defects in material and workmanship for a period of one (1) year from the date of original purchase; in addition, the Durathon™ nonstick covering on the soleplate is warranted not to wear out for a period of ten (10) years from the date of original purchase. During this period, your exclusive remedy is repair or replacement of this product or any component found to be defective, at our option; however, you are responsible for all costs associated with returning the product to us and our returning a product or component under this warranty to you. If the product or component is no longer available, we will replace with a similar one of equal or greater value.

This warranty does not cover glass, filters, wear from normal use, use not in conformity with the printed directions, or damage to the product resulting from accident, alteration, abuse, or misuse. This warranty extends only to the original consumer purchaser or gift recipient. Keep the original sales receipt, as proof of purchase is required to make a warranty claim. This warranty is void if the product is used for other than single-family household use or subjected to any voltage and waveform other than as specified on the rating label (e.g., 120V ~ 60 Hz).

We exclude all claims for special, incidental, and consequential damages caused by breach of express or implied warranty. All liability is limited to the amount of the purchase price. **Every implied warranty, including any statutory warranty or condition of merchantability or fitness for a particular purpose, is disclaimed except to the extent prohibited by law, in which case such warranty or condition is limited to the duration of this written warranty.** This warranty gives you specific legal rights. You may have other legal rights that vary depending on where you live. Some states or provinces do not allow limitations on implied warranties or special, incidental, or consequential damages, so the foregoing limitations may not apply to you.

To make a warranty claim, do not return this appliance to the store. Please call 1.800.851.8900 in the U.S. or 1.800.267.2826 in Canada or visit hamiltonbeach.com in the U.S. or hamiltonbeach.ca in Canada. For faster service, locate the model, type, and series numbers on your appliance.

MEASURES DE SÉCURITÉ IMPORTANTES

Lors de l'utilisation de votre fer à repasser, des précautions préliminaires de sécurité doivent toujours être observées, y compris ce qui suit :

LIRE TOUTES LES INSTRUCTIONS **AVANT L'UTILISATION**

1. Utiliser exclusivement le fer pour son usage prévu.
2. Pour éviter le risque de choc électrique, ne pas plonger le fer dans l'eau ou d'autres liquides.
3. Toujours mettre le fer sur ARRÊT avant de le brancher ou débrancher de la prise électrique. Ne jamais tirer sur le cordon pour déconnecter le fer de la prise électrique ; au lieu de cela, saisir la fiche et tirer dessus pour débrancher le fer.
4. Ne pas laisser le cordon toucher les surfaces chaudes. Laisser refroidir le fer complètement avant de le remiser. Enrouler lâchement le cordon autour du fer à repasser pour ranger.
5. Toujours débrancher le fer de la prise électrique avant de remplir le fer d'eau et de vider l'eau du fer, et lorsque le fer ne sert pas.
6. Ne pas utiliser le fer avec un cordon endommagé, si le fer est tombé ou endommagé, s'il y a des signes visibles de dommage ou s'il fuit. Pour éviter le risque de choc électrique, ne pas démonter le fer. Le faire examiner et réparer par un réparateur qualifié. Un assemblage incorrect risque d'entraîner un risque de choc électrique lorsque le fer est utilisé après réassemblage.
7. Le fer doit être utilisé et reposé sur une surface stable.
8. En plaçant le fer sur son support, assurez-vous que la surface sur laquelle le support est placé est stable.
9. Une surveillance étroite est requise pour tout appareil utilisé par ou près d'enfants. Ne pas laisser le fer sans surveillance pendant qu'il est branché ou pendant qu'il est sur une planche à repasser.
10. Des brûlures peuvent survenir lorsqu'on touche des pièces chaudes en métal, de l'eau chaude ou de la vapeur. Adopter des précautions lorsqu'on tourne un fer à vapeur à l'envers, car il peut rester de l'eau chaude dans le réservoir.
11. Pour éviter une surcharge du circuit, ne pas utiliser le fer sur le même circuit qu'un autre appareil de haute puissance.
12. Si une rallonge électrique est absolument nécessaire, un cordon d'intensité nominale égale ou supérieure à l'intensité nominale maximale du fer doit être utilisé. Un cordon d'une intensité nominale moindre peut entraîner un risque d'incendie ou de choc électrique en raison d'une surchauffe. Il faut prendre soin de placer le cordon de rallonge pour qu'il ne puisse pas être tiré par des enfants ou faire trébucher.

CONSERVER CES INSTRUCTIONS !

Autres renseignements de sécurité aux consommateurs

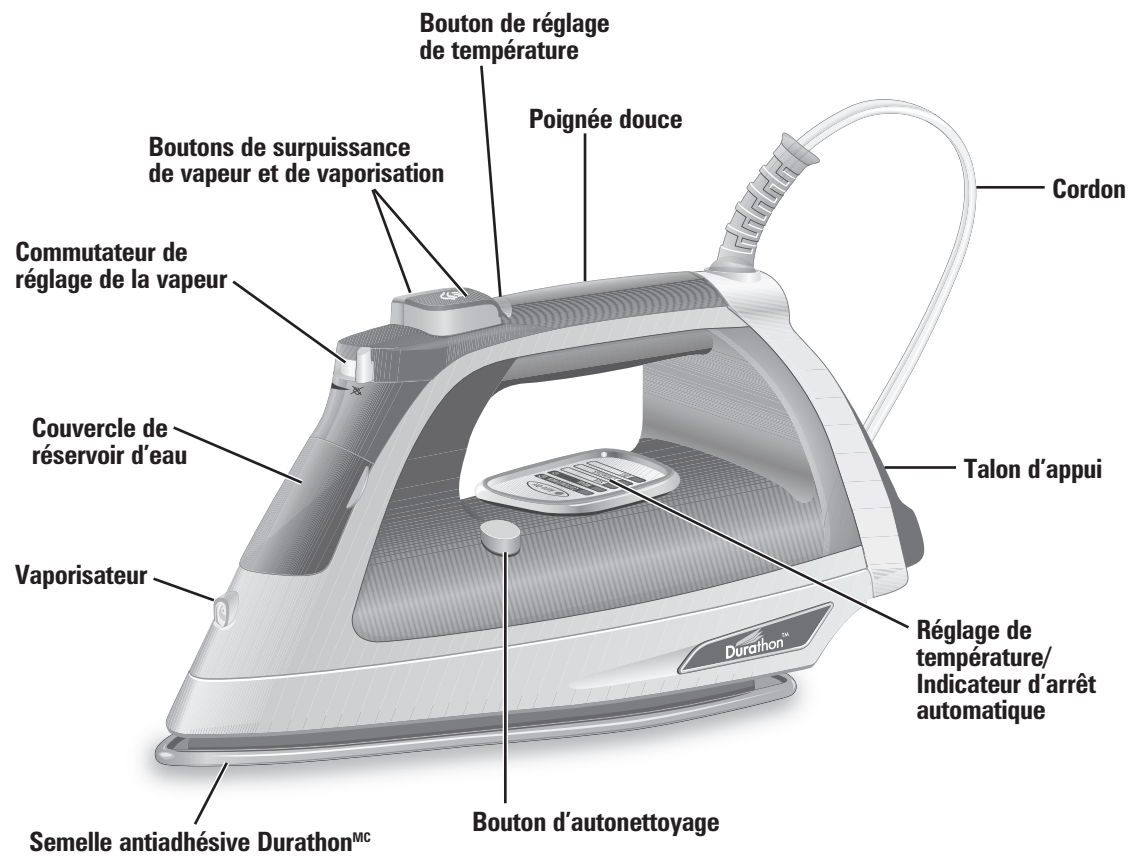
Cet appareil est conçu pour une utilisation domestique seulement.

AVERTISSEMENT ! Risque d'électrocution : Cet appareil électroménager possède une fiche polarisée (une broche large) qui réduit le risque d'électrocution. Cette fiche n'entre que dans un seul sens dans une prise polarisée. Ne contrecarrez pas l'objectif sécuritaire de cette fiche en la modifiant de quelque manière que ce soit ou en utilisant un adaptateur. Si vous ne pouvez pas insérer complètement la fiche dans la prise, inversez la fiche. Si elle refuse toujours de s'insérer, faire remplacer la prise par un électricien.

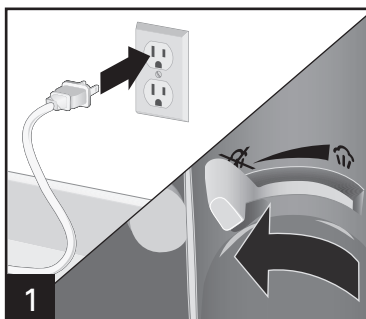
- Utilisation du fer sur une planche à repasser. L'utilisation du fer sur un autre type de surface peut endommager cette surface.
- Ne pas repasser ou repasser à la vapeur à la verticale les vêtements que vous portez.

- Ne pas repasser à la vapeur en direction des gens ou des animaux.
- Lors de la première utilisation du fer à repasser, il peut sembler émettre de la fumée. Ceci cessera et n'indique pas un défaut ou un danger.
- Lors des premières utilisations avec de l'eau du robinet, de nombreux fers crachent. Ceci se produit durant le conditionnement de la chambre de vapeur. Ce phénomène cesse après quelques utilisations.
- Pour nettoyer les événements de vapeur avant la première utilisation, préparer le fer pour un repassage à la vapeur puis repasser un linge usagé pendant quelques minutes en permettant l'échappement de vapeur du fer. Appuyer sur le bouton de surpuissance de vapeur à plusieurs reprises pour nettoyer les événements. Effectuer ensuite un autonettoyage en suivant les instructions de la page 25.

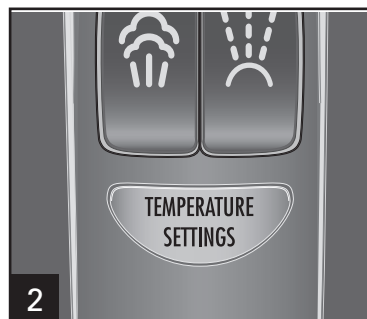
Pièces et caractéristiques



Repassage à sec



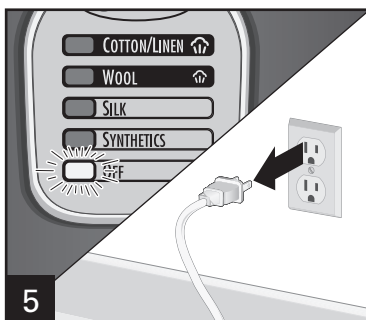
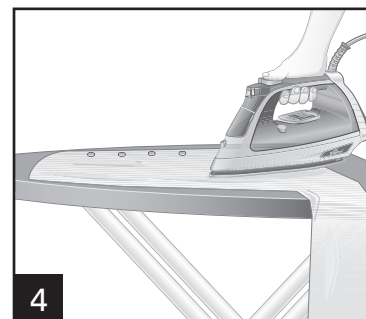
1 Régler le commutateur de réglage de la vapeur à ☹️ (repassage à sec).



2 Appuyez sur le bouton de réglage de la température pour allumer le fer à repasser et maintenez la pression jusqu'à ce que le voyant de la température désirée s'allume.






3 Attendez 2 minutes pour que le fer atteigne la température maximale. Le voyant clignotera pendant le préchauffage.



5 Appuyez sur le bouton de réglage de température jusqu'à ce que le témoin d'alimentation (OFF) s'allume pour éteindre le fer à repasser. Le témoin restera allumé tant que le fer n'est pas débranché.

DÉTECTION DE MOUVEMENT/MISE HORS TENSION AUTOMATIQUE


Le fer se coupe automatiquement lorsqu'il est laissé dans les positions suivantes. La durée de mise hors tension automatique varie selon la position du fer.

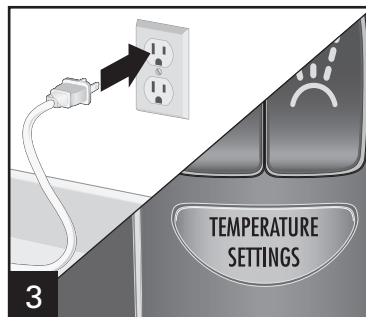
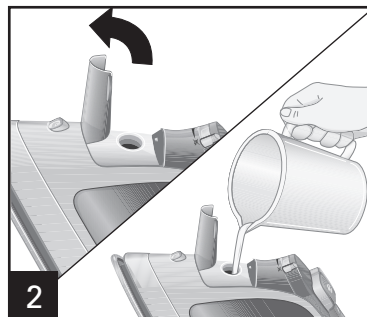
POSITION DU FER	TEMPS D'IMMOBILISATION
Repos sur la semelle 	30 secondes
Repos sur le côté 	30 secondes
Repos sur talon 	15 minutes

REMARQUE : L'inclinaison de plus de 30 degrés du fer à repasser entraînera la remise en marche du détecteur d'arrêt automatique.

Repassage à la vapeur



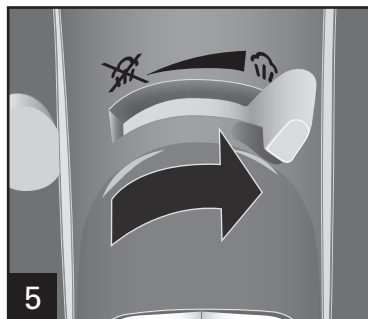
1 Régler le commutateur de réglage de la vapeur à  (repassage à la vapeur).



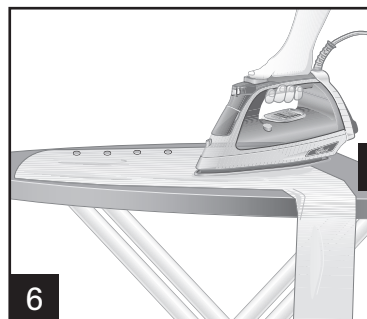
3 Appuyez sur le bouton de réglage de température pour choisir le réglage du tissu selon la gamme de vapeur.



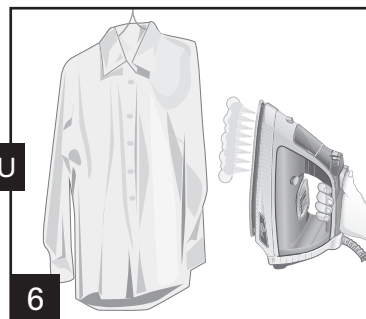
4 Attendez 2 minutes pour que le fer atteigne la température maximale. Le voyant clignotera pendant le préchauffage.



5 Régler le commutateur de réglage de la vapeur au niveau de vapeur désiré.



OU



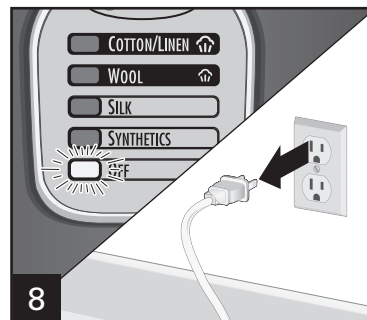
6 Pour un repassage à la pattemouille, tenir le fer à une distance de 15 cm (6 po) du vêtement et éviter de toucher les vêtements délicats avec la semelle. Appuyer et relâcher le bouton de surpuissance de vapeur pour éliminer les plis. Attendre environ 5 secondes avant d'appuyer à nouveau sur le bouton de surpuissance de vapeur.

AVERTISSEMENT ! Risque de brûlure : La tentative du repassage à la vapeur à un réglage de température inférieur ou ne pas laisser le fer chauffer pendant 2 minutes peut occasionner un égouttement d'eau depuis la semelle.

Repassage à la vapeur (suite)



7 Régler le commutateur de réglage de la vapeur à ~~OFF~~ (repassage à sec) pour mettre le fer hors tension.



8 Appuyez sur le bouton de réglage de température jusqu'à ce que le témoin d'alimentation (OFF) s'allume. Le témoin restera allumé tant que le fer n'est pas débranché.

DÉTECTION DE MOUVEMENT/MISE HORS TENSION AUTOMATIQUE



Le fer se coupe automatiquement lorsqu'il est laissé dans les positions suivantes. La durée de mise hors tension automatique varie selon la position du fer.

POSITION DU FER		TEMPS D'IMMOBILISATION
Repos sur la semelle		30 secondes
Repos sur le côté		30 secondes
Repos sur talon		15 minutes

REMARQUE : L'inclinaison de plus de 30 degrés du fer à repasser entraînera la remise en marche du détecteur d'arrêt automatique.

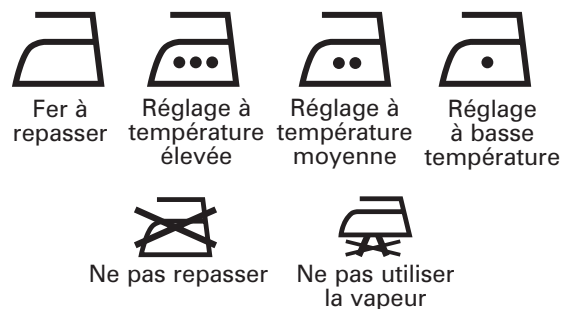
Tableau de réglage de température pour les tissus

AVIS : Vérifier l'étiquette du vêtement pour obtenir les informations de composition des tissus et les instructions de repassage pour éviter les dommages aux vêtements.

Réglage de vapeur	Réglage de température	Instructions de repassage
 Repassage à sec	ARRÊT	ARRÊT
	Synthétiques • Bas	Repasser à sec, avec vaporisation si nécessaire.
 Repassage à la vapeur	Soie, laine •• Medium	Repasser le soie sur l'envers du tissu.
	Coton, lin ••• Haut	Pour le coton, repasser pendant que le tissu est encore humide. Pour le lin, repasser sur l'envers du tissu.

Les étiquettes d'entretien des tissus des vêtements

Les étiquettes d'entretien des tissus des vêtements comportent des pictogrammes indiquant les instructions de repassage et les réglages de températures recommandés. Ces pictogrammes et leurs significations sont illustrés ci-dessous.



Conseils pour des résultats de repassage optimaux

FAITS AU SUJET DES TISSUS ET ÉTIQUETTES :

Chaque tissu est différent et doit être traité selon ses caractéristiques. L'étiquette à l'intérieur du vêtement ou de la literie recommande les instructions d'entretien et de repassage. Ces directives générales doivent être respectées. Utiliser un réglage de basse température pour les tissus comportant un mélange de fibres. Utiliser le réglage de température le plus faible si la composition du tissu est inconnue et faire un essai sur une couture intérieure.

PRÉPARATION DU FER À REPASSER :

1. Couvrir la planche à repasser avec une housse matelassée et résistante à la chaleur. Brosser ou essuyer toute poussière, saleté ou débris pour éviter leur incrustation dans les vêtements.
2. Pour régler la hauteur de la planche à repasser, tenir les coudes à un angle droit ; puis abaisser légèrement les mains pour que les bras adoptent une position confortable. Régler la hauteur de la planche à repasser selon cette hauteur.
3. Vérifier la semelle (la surface du fer en contact avec le tissu) à la recherche de dépôts minéraux et de matériau éraflé avant de commencer le repassage. Si des dépôts ou des minéraux sont présents sur la semelle, ils peuvent être transférés sur le vêtement. Incertain ? Faire d'abord l'essai du fer sur un chiffon ou une serviette usée.

CONSEIL PRATIQUE : Pour nettoyer la semelle du fer à repasser, préchauffer le fer en utilisant le réglage de température le plus élevé sur un linge humide de coton 100 %. Ceci permet la création d'une grande quantité de vapeur et de transférer les résidus de la semelle sur le linge. Plusieurs fers à repasser sont dotés d'un bouton d'autonettoyage. Ceci permet de nettoyer les orifices de vapeur, mais il ne permet pas d'éliminer les résidus de la surface plate de la semelle. **REMARQUE :** Le nettoyage doit être fait avec soin, car la vapeur chaude peut provoquer des brûlures.

FAITS RAPIDES :

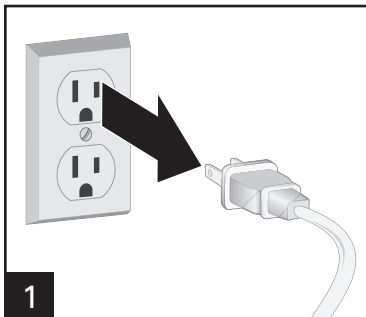
- Ne pas repasser avec un mouvement circulaire pour éviter l'étirement du tissu. Utiliser plutôt un mouvement en longueur.
- Les fibres naturelles comme le coton et le lin doivent être repassées lorsqu'ils sont légèrement humides pour un repassage plus rapide et plus facile. Si les vêtements sont entièrement secs, utiliser la quantité maximale de vapeur pendant le repassage ou vaporiser les vêtements avec de l'eau avant de les repasser.
- Toute partie d'un vêtement à double épaisseur comme les poches, coutures, cols et poignets doit être repassée en commençant par l'intérieur.
- Pour repasser un col à la vapeur, repasser depuis les pointes par petits coups de fer. Dès que les plis sont pressés, former manuellement le col en place — ne pas utiliser le fer. Traiter les poignets français de la même manière en formant manuellement et délicatement après le repassage.

Conseils pour des résultats de repassage optimaux (suite)

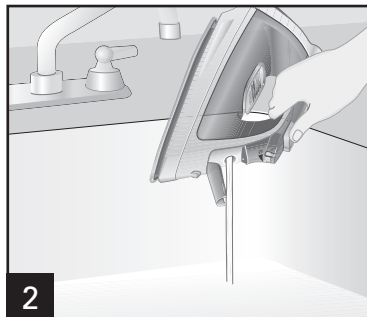
REPASSAGE OU REPASSAGE À LA VAPEUR :

- Les mots « repassage » et « repassage à la vapeur » sont utilisés dans le présent manuel et ils représentent deux méthodes différentes. Lors du repassage, le fer à repasser glisse vers l'avant et vers l'arrière sur le tissu. Lors du repassage à la vapeur, le fer est placé et tenu sur une partie du tissu sans le toucher et la procédure est répétée jusqu'à ce que les zones froissées deviennent lisses. Une technique de « repassage à la vapeur » est utile pour éviter l'éraflure des tissus.
- Une pattemouille peut aider à réduire les « brillances » indésirables occasionnées sur les vêtements. Les pattemouilles sont vendues dans la section d'entretien pour la lessive. L'utilisation d'un linge à vaisselle blanc ou une taie d'oreiller 100 % coton peut également convenir. Il n'est pas nécessaire d'augmenter la température recommandée pour le fer lors de l'utilisation d'un linge pour le repassage à la vapeur.

Entretien et nettoyage



1 Laisser refroidir le fer.



2 Pour vider l'eau du réservoir du fer, ouvrir le couvercle de l'orifice de remplissage et incliner légèrement la pointe du fer vers l'évier jusqu'à ce que l'eau s'écoule et que le réservoir soit vide.



3 **Ne pas ranger le fer sur sa semelle.**

Entretien de la semelle

Pour nettoyer la semelle du fer à repasser, préchauffer le fer en utilisant le réglage de température le plus élevé sur un linge humide de coton 100 %. Ceci permet la création d'une grande quantité de vapeur et de transférer les résidus de la semelle sur le linge. Plusieurs fers à repasser sont dotés d'un bouton d'autonettoyage. Ceci permet de nettoyer les orifices de vapeur, mais il ne permet pas d'éliminer les résidus de la surface plate de la semelle.

REMARQUE : Le nettoyage doit être fait avec soin, car la vapeur chaude peut provoquer des brûlures.

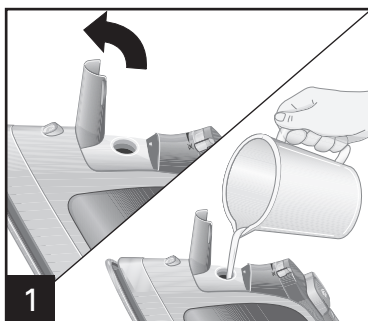
24

AVIS : Pour éviter les dommages à la semelle du fer :

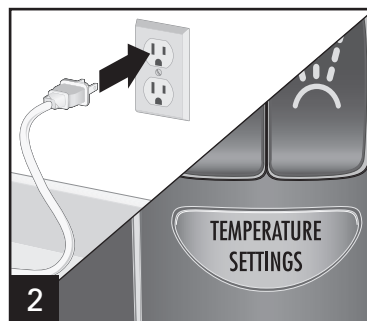
- Pour éviter les dommages à la semelle du fer, ne jamais repasser les fermetures à glissière, épingles, rivets métalliques ou boutons-pression.
- Laisser refroidir complètement le fer à repasser et essuyer avec un linge humide et doux pour nettoyer occasionnellement les dépôts de la semelle. Ne jamais utiliser de nettoyants abrasifs ou de tampons à récurer, car ils pourraient égratigner la surface.

Caractéristique d'autonettoyage

Pour garder les événements de vaporisation propres, suivre ces instructions chaque fois que vous utilisez la vapeur du fer.



1



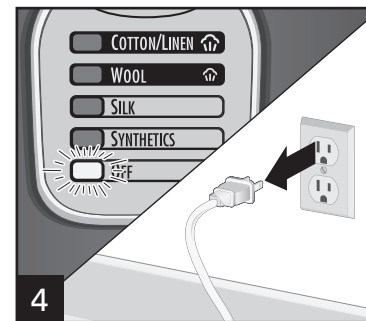
2

Appuyez sur le bouton de réglage de température jusqu'à ce que COTTON/LINEN (coton/lin) s'allume.



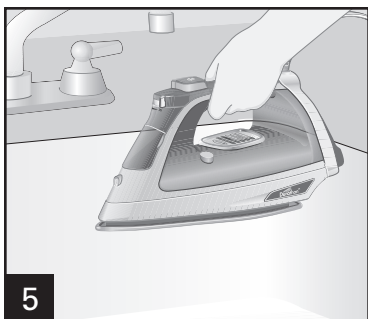
3

Laissez chauffer le fer à repasser jusqu'à ce que le témoin ne clignote plus.



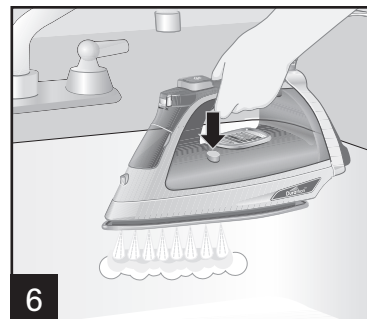
4

Appuyez sur le bouton de réglage de température jusqu'à ce que le témoin d'alimentation (OFF) s'allume. Le témoin restera allumé tant que le fer n'est pas débranché.



5

Tenir le fer au dessus de l'évier.



6

Appuyer et tenir enfoncé le bouton d'autonettoyage jusqu'à ce que le réservoir soit vide.

Dépannage



PROBLÈME

PROBABLE CAUSE


Le fer ne chauffe pas.

- Est-ce que le fer est branché et est-ce que la prise fonctionne ? Vérifier le fonctionnement de la prise en y branchant une lampe.
- Est-ce que le degré de température a été réglé ?
- Est-ce que le voyant arrêt automatique clignote ? Déplacez ou inclinez le fer pour le remettre en marche.

Fuite d'eau.

- Ne pas trop remplir le réservoir d'eau.
- Régler la vapeur l'intensité la plus faible.
- Pour le repassage à la vapeur, est-ce que le commutateur de réglage de la vapeur est en position  (vapeur) ? Un degré de température a-t-il été sélectionné ? Est-ce que le fer a eu le temps de préchauffer ?
- Pendant le repassage à sec, s'assurer que le commutateur de réglage de la vapeur est positionné à  (repassage à sec).

Le fer ne dégage pas de vapeur.

- Vérifier le niveau d'eau.
- Est-ce que le commutateur de réglage de la vapeur est en position  (vapeur) ?
- Est-ce que le temps de chauffage du fer a été suffisant ?
- La caractéristique antigouttes ne permet pas la formation de la vapeur lorsque le réglage de température est positionné sur DRY (sec).

Dépannage *(suite)*

PROBLÈME

PROBABLE CAUSE

Apparition de taches.

- TOUJOURS vider l'eau du réservoir dès la fin de l'utilisation. L'eau laissée dans le réservoir peut décolorer les vêtements et la semelle.

Cordon tordu.

- Si le cordon d'alimentation est enroulé, débrancher le fer et permettre le refroidissement. Tenir le cordon au milieu de toute la longueur. Laisser pendre la fiche librement jusqu'à ce que le cordon soit complètement délové. Ceci prolongera la durée de vie du cordon d'alimentation du fer.

Les faux plis résistent.

- Choisir les réglages de températures adaptés au tissu.

Le fer est trop chaud/
pas assez chaud.

- Régler la température au degré désiré. Permettre au fer de se refroidir pendant 5 minutes avant de continuer.

Garantie limitée

Cette garantie s'applique aux produits achetés et utilisés aux É.-U. et au Canada. C'est la seule garantie expresse pour ce produit et est en lieu et place de tout autre garantie ou condition.

Ce produit est garanti contre tout défaut de matériaux et de main-d'œuvre pour une période de un (1) an à compter de la date d'achat d'origine ; de plus, l'enduit antiadhésif Durathon^{MC} de la semelle est garanti contre l'usure pendant une période de dix (10) ans à compter de la date d'achat d'origine. Au cours de cette période, votre seul recours est la réparation ou le remplacement de ce produit ou tout composant s'avérant défectueux, à notre gré, mais vous êtes responsable de tous les coûts liés à l'expédition du produit et le retour d'un produit ou d'un composant dans le cadre de cette garantie. Si le produit ou un composant n'est plus offert, nous le remplacerons par un produit similaire de valeur égale ou supérieure.

Cette garantie ne couvre pas le verre, les filtres, l'usure d'un usage normal, l'utilisation non conforme aux directives imprimées, ou des dommages au produit résultant d'un accident, modification, utilisation abusive ou incorrecte. Cette garantie s'applique seulement à l'acheteur original ou à la personne l'ayant reçu en cadeau. La présentation du reçu de vente d'origine comme preuve d'achat est nécessaire pour faire une réclamation au titre de cette garantie. Cette garantie s'annule si le produit est utilisé autrement que par une famille ou si l'appareil est soumis à toute tension ou forme d'onde différente des caractéristiques nominales précisées sur l'étiquette (par ex. : 120 V ~ 60 Hz).

Nous excluons toutes les réclamations au titre de cette garantie pour les dommages spéciaux, consécutifs et indirects causés par la violation de garantie expresse ou implicite. Toute responsabilité est limitée au prix d'achat. **Chaque garantie implicite, y compris toute garantie ou condition de qualité marchande ou d'adéquation à un usage particulier, est exonérée, sauf dans la mesure interdite par la loi, auquel cas la garantie ou condition est limitée à la durée de cette garantie écrite.** Cette garantie vous donne des droits légaux précis. Vous pouvez avoir d'autres droits qui varient selon l'endroit où vous habitez. Certaines provinces ne permettent pas les limitations sur les garanties implicites ou les dommages spéciaux ou indirects de telle sorte que les limitations ci-dessus ne s'appliquent peut-être pas à votre cas.

Ne pas retourner cet appareil au magasin lors d'une réclamation au titre de cette garantie. Téléphoner au 1.800.851.8900 aux É.-U. ou au 1.800.267.2826 au Canada ou visiter le site internet www.hamiltonbeach.com aux É.-U. ou www.hamiltonbeach.ca au Canada. Pour un service plus rapide, trouvez le numéro de modèle, le type d'appareil et les numéros de série sur votre appareil.

INSTRUCCIONES DE SEGURIDAD IMPORTANTES

Cuando use la plancha, debe seguir siempre las precauciones básicas, incluyendo las siguientes:

LEA TODAS LAS INSTRUCCIONES ANTES DE USARLA

1. Use la plancha sólo para su uso previsto.
2. Verifique que el voltaje de su instalación corresponda con el del producto.
3. Para reducir el riesgo de descarga eléctrica, no sumerja la plancha en agua o en otros líquidos.
4. Siempre gire la plancha a APAGADO antes de enchufarla o desenchufarla del tomacorriente. Nunca tire del cable para desconectar la plancha del tomacorriente; para hacerlo, tome el enchufe y tire del mismo para desconectar la plancha.
5. No permita que el cable toque superficies calientes. Deje que la plancha se enfríe bien antes de guardarla. Enrolle el cable alrededor de la plancha sin ajustar demasiado.
6. Siempre desconecte la plancha del tomacorriente antes de llenarla o vaciarla o cuando la plancha no se encuentra en uso.
7. No utilice la plancha con un cable dañado o si la plancha ha sufrido una caída o se ha dañado, o si existen señales visibles de daños o si sufre pérdidas. Para evitar el riesgo de una descarga eléctrica, no desarme la plancha. Llévela a un técnico en reparaciones para su inspección y reparación. Un montaje incorrecto puede provocar un riesgo de descarga eléctrica cuando la plancha se utilice después de su rearmado.
8. La plancha se debe usar y apoyar sobre una superficie estable.
9. Al apoyar la plancha sobre su base, asegúrese de que la superficie sobre la cual se apoya sea estable.
10. Se requiere una supervisión estricta cuando cualquier artefacto es utilizado por niños o en su cercanía. No deje la plancha sin atención mientras esté conectada o sobre una tabla de planchar.
11. Pueden ocurrir quemaduras por tocar las partes metálicas calientes, agua caliente o vapor. Tenga cuidado cuando voltee una plancha a vapor boca abajo—ya que puede haber agua caliente en el depósito.
12. Para evitar una sobrecarga eléctrica, no haga funcionar la plancha en el mismo circuito con otro aparato de alto vataje.
13. Si el uso de un cable de extensión es absolutamente necesario, deberá utilizarse un cable con una clasificación de amperios igual o superior a la clasificación máxima de la plancha. Un cable clasificado para un amperaje menor puede provocar un riesgo de incendio o de descarga eléctrica debido al sobrecalentamiento. Tenga cuidado de colocar el cable de manera tal que se evite tironearlo o tropezarse con él.

¡GUARDE ESTAS INSTRUCCIONES!

Información para Seguridad del Consumidor

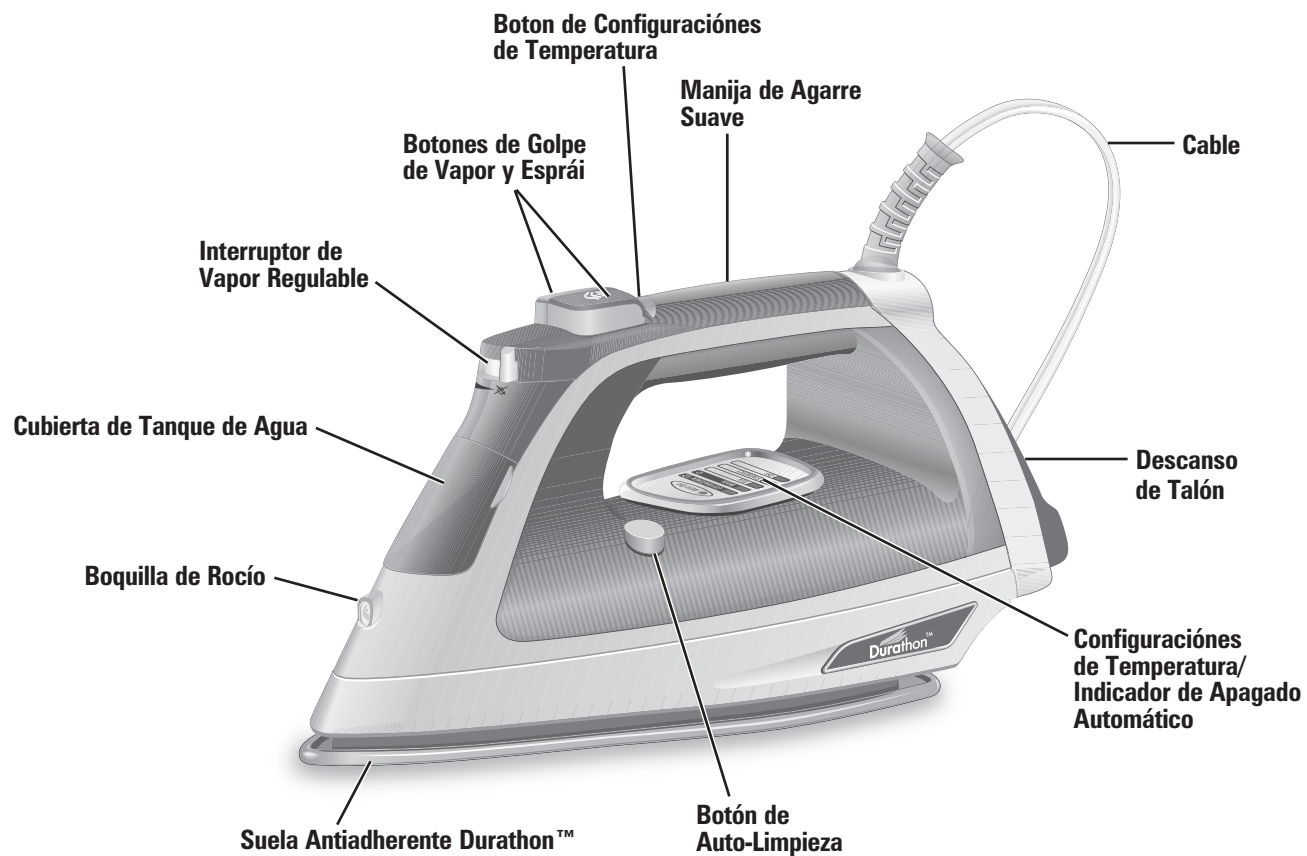
Este aparato está planeado para uso doméstico.

¡ADVERTENCIA! Peligro de Descarga Eléctrica: Este aparato cuenta con un enchufe polarizado (una pata más ancha) que reduce el riesgo de una descarga eléctrica. El enchufe embona únicamente en una dirección dentro de un tomacorriente polarizado. No trate de obviar el propósito de seguridad del enchufe modificándolo de alguna manera o utilizando un adaptador. Si el enchufe no entra completamente en la toma, invierta el enchufe. Si aún no entra, haga que un electricista reemplace la toma.

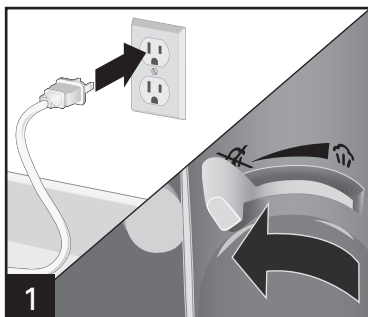
- Use la plancha en un burro de planchar. El planchar en cualquier otra superficie puede dañar dicha superficie.
- No planche o aplique vapor verticalmente en ropa que está siendo usada.

- No aplique vapor verticalmente en dirección a la gente o mascotas.
- Durante el primer uso de la plancha, puede parecer que echa humo. Esto parará y no indica que haya un defecto o peligro.
- Muchas planchas escupen o derraman durante los primeros usos con agua de la llave. Esto pasa mientras que las cámaras de vapor se acondicionan. Esto dejará de ocurrir a los pocos usos.
- Para limpiar las ventilas de vapor antes de su primer uso, prepare la plancha para planchado con vapor y luego planche sobre una tela vieja por unos minutos mientras deja que la plancha eche vapor. Presione le Botón de Golpe de Vapor varias veces para limpiar las ventilas. Luego siga las instrucciones de auto-limpieza en la página 39.

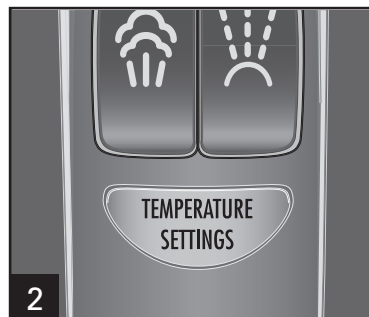
Partes y Características



Cómo Secar la Plancha



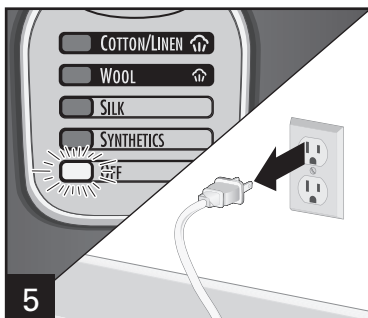
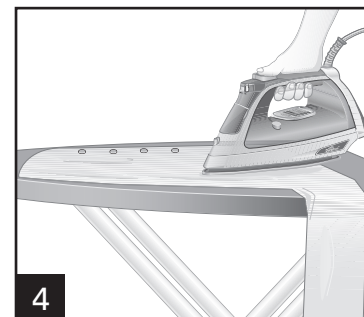
1 Coloque el Interruptor de Vapor Regulable en \times (planchado en seco).



2 Presione el Botón de Configuraciones de Temperatura para encender la plancha y continúe presionando hasta que la temperatura deseada se ilumine.



3 Espere 2 minutos hasta que la plancha alcance la temperatura máxima. La luz parpadeará mientras la unidad se precalienta.



5 Para apagar la plancha, presione el Botón de Configuraciones de Temperatura hasta que se ilumine OFF (apagado). Esta luz seguirá encendida hasta que se desenchufe la plancha.

SENSOR DE POSICIÓN/APAGADO AUTOMÁTICO

La plancha se apagará automáticamente cuando permanezca en las siguientes posiciones. El tiempo de Apagado Automático varía de acuerdo con la posición de la plancha.

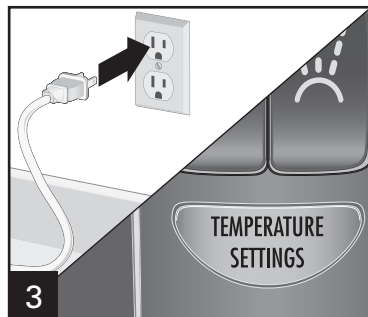
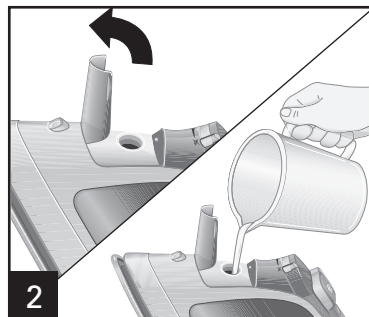
POSICIÓN DE LA PLANCHA	TIEMPO SIN MOVIMIENTO
Descanso sobre la suela 	30 segundos
Descanso hacia cualquier lado 	30 segundos
Descanso sobre el talón 	15 minutos

NOTA: Inclinar la plancha más de 30 grados reiniciará el sensor de Apagado Automático.

Cómo Planchar con Vapor



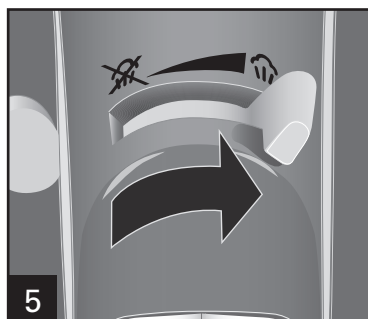
1 Coloque el Interruptor de Vapor Regulable en ☒ (planchado en seco).



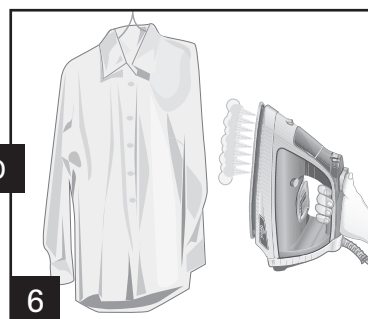
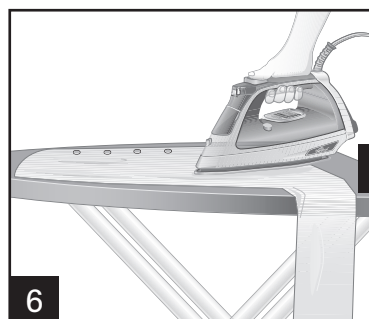
3 Presione el Botón de Configuraciones de Temperatura para seleccionar la configuración de tela deseada en el rango de vapor.



4 Espere 2 minutos hasta que la plancha alcance la temperatura máxima. La luz parpadeará mientras la unidad se precalienta.



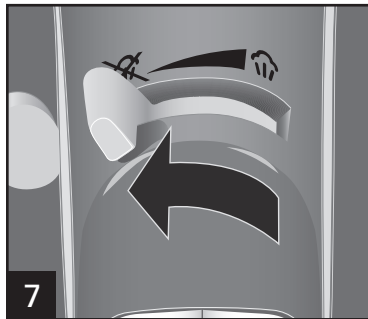
5 Coloque el Interruptor de Vapor Regulable en el nivel de vapor deseado.




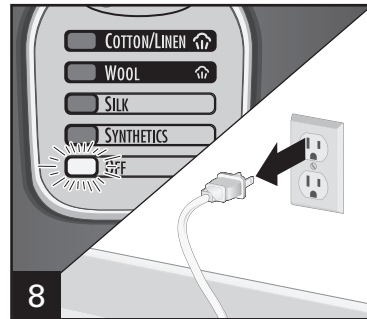
6 Para planchar con vapor verticalmente, mantenga la plancha a 6 pulgadas (15 cm) de la prenda. Presione y libere el Botón de Golpe de Vapor para quitar las arrugas con vapor. Espere por lo menos 5 segundos antes de presionar de nuevo el Botón de Golpe de Vapor.

33

Cómo Planchar con Vapor (cont.)



7 Para apagar la plancha, coloque el Interruptor de Vapor Regulable en  (planchado en seco).



8 Presione el Botón de Configuraciones de Temperatura hasta que se ilumine OFF (apagado). Esta luz seguirá encendida hasta que se desenchufe la plancha.

SENSOR DE POSICIÓN/APAGADO AUTOMÁTICO



La plancha se apagará automáticamente cuando permanezca en las siguientes posiciones. El tiempo de Apagado Automático varía de acuerdo con la posición de la plancha.

POSICIÓN DE LA PLANCHA		TIEMPO SIN MOVIMIENTO
Descanso sobre la suela		30 segundos
Descanso hacia cualquier lado		30 segundos
Descanso sobre el talón		15 minutos

NOTA: Inclinar la plancha más de 30 grados reiniciará el sensor de Apagado Automático.

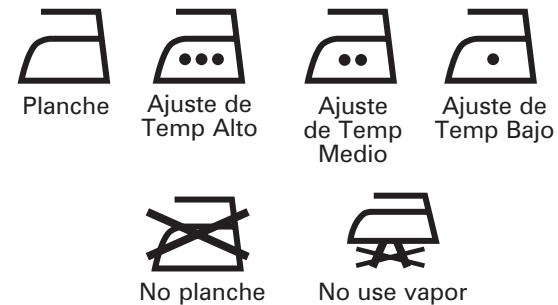
Tabla de Ajuste Según Tela

AVISO: Para evitar daños en la prenda, revise la etiqueta de la prenda para la composición de la tela y las instrucciones de planchado.

Graduación de vapor	Graduación de temperatura	Instrucciones de planchado
 Seco	APAGADO	APAGADO
	Sintéticos • Bajo	Planche en seco usando rocío si es necesario.
	Seda, Lana •• Medio	Planche la seda del lado inverso de la tela.
 Gama de Vapor	Algodón, Hilo ••• Alto	Para algodón, planche cuando aún está húmedo o use rocío. Para hilo, planche del lado inverso de la tela.

Las Etiquetas de Cuidado de las Prendas Tienen Símbolos

Las etiquetas de cuidado de las prendas tienen símbolos que muestran las instrucciones de planchado y los ajustes de temperatura recomendados. Estos símbolos se muestran a continuación junto con una explicación de su significado.



Consejos para Mejores Resultados de Planchado

INFORMACIÓN SOBRE TELAS Y ETIQUETAS:

Todas las telas son diferentes y deben tratarse según corresponde. Las etiquetas ubicadas dentro de las prendas o telas deben recomendar instrucciones de cuidados que incluyen el tratamiento de planchado. Como regla general, estas instrucciones deben cumplirse. Si la tela es una mezcla, utilice una configuración de temperatura baja. Si no conoce el material de la tela, primero utilice la temperatura más baja y pruebe en una costura interna.

PREPARACIÓN PARA EL PLANCHADO:

1. Cubra la tabla de planchar con una cubierta acolchada resistente al calor. Cepille o limpie el polvillo, suciedad o desechos para que no pasen a sus prendas.
2. Para configurar la altura de la tabla de planchar, párese con los codos doblados en ángulos rectos, luego deje caer sus manos ligeramente para que sus brazos se encuentren en una posición cómoda. Configure la altura de su tabla de planchar a esta altura.
3. Antes de comenzar a planchar, verifique la suela (la superficie de la plancha que hace contacto con la tela) para que no haya depósitos minerales o material quemado. Si estos depósitos o minerales pasan a la suela, pueden quedar en sus prendas. ¿No está seguro? Pruebe la plancha sobre un paño o una toalla vieja.

CONSEJO DE COCINA: Para limpiar la suela de la plancha, precaliente la plancha a la configuración de temperatura más elevada y planche sobre un paño húmedo 100% de algodón. Esto crea un vapor intenso que transfiere la suciedad de la suela al paño. Muchas planchas cuentan con un Botón de Auto-Limpieza. Esto limpia los orificios de vapor, pero no se elimina la suciedad de la superficie plana de la suela. **NOTA: Tenga mucho cuidado al limpiar; el vapor puede quemar.**

DATOS RÁPIDOS:

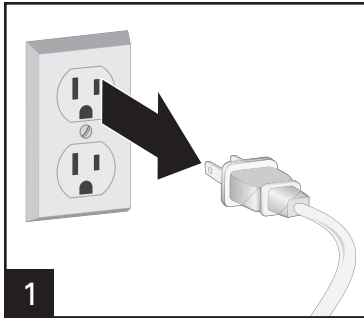
- No planche con un movimiento circular porque se puede estirar la tela. Planche en sentido longitudinal.
- Las fibras naturales como el algodón y el lino deben plancharse ligeramente húmedas para lograr un planchado más rápido y sencillo. Si están completamente secas, utilice vapor máximo mientras plancha o rocíelas con agua antes de planchar.
- Cualquier parte de la prenda que tenga 2 capas de tela, como bolsillos, costuras, cuellos y puños deben plancharse primero del lado de adentro.
- Para planchar un cuello, planche desde las puntas hacia adentro utilizando pequeños golpes de la plancha. Después de que las arrugas hayan desaparecido, vuelva a colocar el cuello a mano, no con la plancha. Trate las mangas francesas de la misma manera, doblándolas suavemente a manos después de plancharlas.

Consejos para Mejores Resultados de Planchado (cont.)

PLANCHADO VERSUS ALISADO CON PRESIÓN:

- Usted puede haber oído hablar de “planchado” y “alisado con presión” usados de manera indistinta, pero son dos términos muy diferentes. Al planchar, se desliza la plancha de atrás hacia adelante sobre una tela. Al alisar con presión, la plancha se coloca y sostiene sobre la tela en un punto, se levanta, y este proceso se repite hasta que las áreas que necesitan atención quedan alisadas. Una técnica de “alisado con presión” sirve para no estirar las telas.
- Un paño para alisado puede ayudar a reducir el “brillo” no deseado de las telas. Usted puede adquirir un paño para alisado en la sección de lavandería, o también funcionan muy bien un paño de cocina blanco o una funda de almohada 100% de algodón. Usted no necesita aumentar la temperatura recomendada de planchado cuando utiliza un paño para alisado.

Cuidado y Limpieza



Deje que la plancha se enfríe.



Para vaciar el agua de la plancha, abra la cubierta de tanque de agua y incline lentamente el extremo puntiagudo de la plancha sobre el lavabo hasta que se salga el agua.



No almacene la plancha descansando plana sobre la suela.

Cuidado de la Suela

Para limpiar la suela de la plancha, precaliente la plancha a la configuración de temperatura más elevada y planche sobre un paño húmedo 100% de algodón. Esto crea un vapor intenso que transfiere la suciedad de la suela al paño. Muchas planchas cuentan con un Botón de Auto-Limpieza. Esto limpia los orificios de vapor, pero no se elimina la suciedad de la superficie plana de la suela.

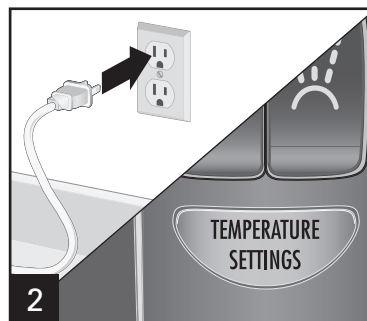
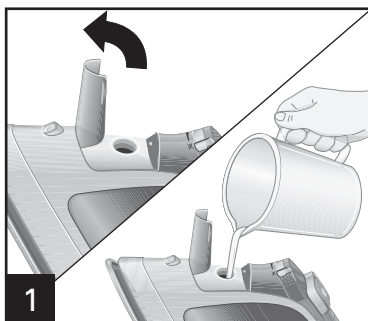
NOTA: Tenga mucho cuidado al limpiar; el vapor puede quemar.

AVISO: Para evitar un daño en la suela de la plancha:

- Nunca planche sobre cierres, botones, alfileres, remaches o broches, ya que pueden rayar la superficie de la suela.
- Deje que la plancha se enfríe y límpiela con un paño suave enjabonado para limpiar las acumulaciones ocasionales de la suela. Nunca utilice limpiadores abrasivos o esponjillas metálicas porque pueden rayar la superficie.

Característica de Auto-Limpieza

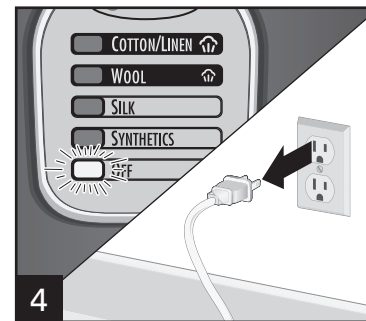
Para mantener las ventilas de vapor libres de cualquier acumulación, siga estas instrucciones cada vez que planche con vapor.



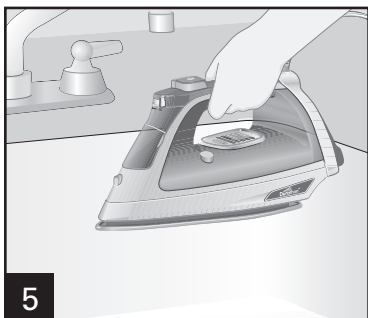
Presione el Botón de Configuraciones de Temperatura hasta que se ilumine COTTON/LINEN (algodón/lino).



Deje que la plancha se caliente hasta que la luz deje de parpadear.



Presione el Botón de Configuraciones de Temperatura hasta que se ilumine OFF (apagado). Esta luz seguirá encendida hasta que se desenchufe la plancha.



Sostenga la plancha sobre el lavadero.



Presione y mantenga presionado el Botón de Auto-Limpieza hasta que el tanque esté vacío.

Resolviendo Problemas

PROBLEMA	PROBABLE CAUSA
La plancha no se calienta.	<ul style="list-style-type: none">• ¿Está conectada la plancha y funciona la toma? Revise la toma conectando una lámpara.• ¿Se ha seleccionado una temperatura?• ¿Está parpadeando de Apagado Automático? Mueva o incline la plancha para reiniciar la misma.
El agua se fuga.	<ul style="list-style-type: none">• No llene de más el tanque de agua.• Ajuste el vapor en una configuración más baja.• Si plancha con vapor, ¿está el Interruptor de Vapor Regulable en posición de vapor? ¿Se ha seleccionado una temperatura? ¿Tuvo la plancha suficiente tiempo para precalentarse?• Si plancha en seco, asegúrese que el Interruptor de Vapor Regulable esté en la posición de ☒ (planchado en seco).
La plancha no hace vapor.	<ul style="list-style-type: none">• Revise el nivel de agua.• ¿Está el Interruptor de Vapor Regulable en la posición de ☒ (vapor)?• ¿Tuvo suficiente tiempo la plancha para calentarse?• La característica anti-goteo no permitirá vapor cuando el ajuste de temperatura está en el rango seco.

Resolviendo Problemas (cont.)

PROBLEMA	PROBABLE CAUSA
Deja manchas.	<ul style="list-style-type: none">• SIEMPRE vacíe el tanque de agua de la plancha después de usar. El agua que se deja en el tanque puede decolorar la ropa y la suela.
Cable torcido.	<ul style="list-style-type: none">• Si el cable de la plancha se tuerce, desconecte la plancha y déjela enfriar. Sostenga el cable de la plancha a la mitad de su longitud. Deje que el enchufe y plancha cuelguen libremente hasta que el cable se desenrede. Esto extenderá la vida del cable de la plancha.
No se quitan las arrugas.	<ul style="list-style-type: none">• Seleccione un ajuste de temperatura menor.
La plancha está muy caliente/no está lo suficiente caliente.	<ul style="list-style-type: none">• Ajuste de temperatura al nivel de ajuste deseado. Deje que la plancha enfríe por 5 minutos antes de continuar.



GrupoHBPS,S.A.deC.V.,
MonteElbruz124-301, ColoniaPalmitas,
DelegaciónMiguelHidalgo,
C.P.11560,México,DistritoFederal
01-800-71-16-100

PÓLIZA DE GARANTÍA

PRODUCTO:	MARCA:		MODELO:
Grupo HB PS, S.A. de C.V. cuenta con una Red de Centros de Servicio Autorizada, por favor consulte en la lista anexa el nombre y dirección de los establecimientos en la República Mexicana en donde usted podrá hacer efectiva la garantía, obtener partes, componentes, consumibles y accesorios; así como también obtener servicio para productos fuera de garantía. Para mayor información llame sin costo: Centro de Atención al consumidor: 01 800 71 16 100			
Grupo HB PS, S.A. de C.V. le otorga a partir de la fecha de compra: GARANTÍA DE 1 AÑO. Además, se garantiza que el revestimiento antiadherente Durathon™ de la suela no se desgastará por un período de diez (10) años desde la fecha de compra original.			
COBERTURA			
<ul style="list-style-type: none">• Esta garantía ampara, todas las piezas y componentes del producto que resulten con defecto de fabricación incluyendo la mano de obra.• Grupo HB PS, S.A. de C.V. se obliga a reemplazar, reparar o reponer, cualquier pieza o componente defectuoso; proporcionar la mano de obra necesaria para su diagnóstico y reparación, todo lo anterior sin costo adicional para el consumidor.• Esta garantía incluye los gastos de transportación del producto que deriven de su cumplimiento dentro de su red de servicio.			
LIMITACIONES			
<ul style="list-style-type: none">• Esta garantía no ampara el reemplazo de piezas deterioradas por uso o por desgaste normal, como son: cuchillas, vasos, vasos, filtros, etc.• Grupo HB PS, S.A. de C.V. no se hace responsable por los accidentes producidos a consecuencia de una instalación eléctrica defectuosa, ausencia de toma de tierra, clavija de enchufe en mal estado, etc.			
EXCEPCIONES			
Esta garantía no será efectiva en los siguientes casos: <ul style="list-style-type: none">a) Cuando el producto se hubiese utilizado en condiciones distintas a las normales. (Uso industrial, semi-industrial o comercial.)b) Cuando el producto no hubiese sido operado de acuerdo con el instructivo de uso.c) Cuando el producto hubiese sido alterado o reparado por personas no autorizadas por Grupo HB PS, S.A. de C.V. el fabricante nacional, importador o comercializador responsable respectivo.d) Esta garantía pierde su validez si el producto es utilizado en un medio diferente a una vivienda unifamiliar o se somete a cualquier voltaje o forma de onda diferente a la especificada en la etiqueta de clasificación (ej., 120V ~ 60 Hz). El consumidor puede solicitar que se haga efectiva la garantía ante la propia casa comercial donde adquirió su producto, siempre y cuando Grupo HB PS, S.A. de C.V. no cuente con talleres de servicio.			

PROCEDIMIENTO PARA HACER EFECTIVA LA GARANTÍA

- Para hacer efectiva la garantía no deben exigirse mayores requisitos que la presentación del producto y la póliza correspondiente, debidamente sellada por el establecimiento que lo vendió.
- Para hacer efectiva la garantía, lleve su aparato al Centro de Servicio Autorizado más cercano a su domicilio (consulte la lista anexa).
- Si no existe Centro de Servicio Autorizado en su localidad llame a nuestro Centro de Atención al Consumidor para recibir instrucciones de como hacer efectiva su garantía.
- El tiempo de reparación, en ningún caso será mayor de 30 días naturales contados a partir de la fecha de recepción del producto en nuestros Centros de Servicio Autorizados.
- En caso de que el producto haya sido reparado o sometido a mantenimiento y el mismo presente deficiencias imputables al autor de la reparación o del mantenimiento dentro de los treinta días naturales posteriores a la entrega del producto al consumidor, éste tendrá derecho a que sea reparado o mantenido de nuevo sin costo alguno. Si el plazo de la garantía es superior a los treinta días naturales, se estará a dicho plazo.
- El tiempo que duren las reparaciones efectuadas al amparo de la garantía no es computable dentro del plazo de la misma. Cuando el bien haya sido reparado se iniciará la garantía respecto de las piezas repuestas y continuará con relación al resto. En el caso de reposición del bien deberá renovarse el plazo de la garantía.

DÍA__ MES__ A—O__

Si desea hacer comentarios o sugerencias con respecto a nuestro servicio o tiene alguna queja derivada de la atención recibida en alguno de nuestros Centros de Servicio Autorizados, por favor dirigirse a:

GERENCIA INTERNACIONAL DE SERVICIO
01 800 71 16 100
Email: mexico.service@hamiltonbeach.com.mx

RED DE CENTROS DE SERVICIO AUTORIZADA GRUPO HB PS, S.A. DE C.V.

Distrito Federal

ELECTRODOMÉSTICOS

Av. Plutarco Elías Calles No. 1499
Zacahuitzco MEXICO 09490 D.F.

Tel: 01 55 5235 2323 • Fax: 01 55 5243 1397

CASA GARCIA

Av. Patriotismo No. 875-B
Mixcoac MEXICO 03910 D.F.

Tel: 01 55 5563 8723 • Fax: 01 55 5615 1856

Nuevo Leon

FERNANDO SEPULVEDA REFACCIONES

Ruperto Martínez No. 238 Ote.
Centro MONTERREY, 64000 N.L.

Tel: 01 81 8343 6700 • Fax: 01 81 8344 0486

Jalisco

SERVICIOS DE MANTENIMIENTO CASTILLO

Garibaldi No. 1450
Ladrón de Guevara
GUADALAJARA 44660 Jal.

Tel: 01 33 3825 3480 • Fax: 01 33 3826 1914

Chihuahua

DISTRIBUIDORA TURMIX

Av. Paseo Triunfo de la Rep. No. 5289 Local 2 A.
Int. Hipermart

Alamos de San Lorenzo
CD. JUAREZ 32340 Chih.

Tel: 01 656 617 8030 • Fax: 01 656 617 8030

Modelos:	Tipo:	Características Eléctricas:
19801	I87	120 V~ 60Hz 1500W

Los modelos incluidos en el instructivo de Uso y Cuidado pueden ir seguidos o no por un sufijo correspondiente a una o varias letras del alfabeto y sus combinaciones, separadas o no por un espacio, coma, diagonal, o guión. Como ejemplos los sufijos pueden ser: "Y" y/o "MX" y/o "MXY" y/o "Z".

840221101

Free Manuals Download Website

<http://myh66.com>

<http://usermanuals.us>

<http://www.somanuals.com>

<http://www.4manuals.cc>

<http://www.manual-lib.com>

<http://www.404manual.com>

<http://www.luxmanual.com>

<http://aubethermostatmanual.com>

Golf course search by state

<http://golfingnear.com>

Email search by domain

<http://emailbydomain.com>

Auto manuals search

<http://auto.somanuals.com>

TV manuals search

<http://tv.somanuals.com>