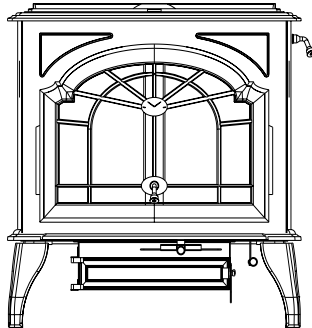


QUADRA-FIRE®

Isle Royale

Non-Catalytic, Top-load, Wood Heater

Models:
823-0170
823-0290



Tested and
Listed by  Portland
Oregon USA
OMNI-Test Laboratories, Inc.

This manual contains instructions for Installation, Operation & Maintenance. Please read this entire manual before you install and use your new room heater. Failure to follow instructions may result in property damage, bodily injury, or even death.

IMPORTANT SAFETY NOTES:

- 1) When installing your stove, particular attention should be paid to fire protection. If this room heater is not properly installed, a house fire may result. To reduce the risk of fire, follow the installation instructions. Contact local building or fire officials or authority having jurisdiction about restrictions, installation inspection and permit requirements in your area.
- 2) CAUTION: Never use gasoline or gasoline-type lantern fuel, kerosene, charcoal lighter fluid, or similar liquids to start or "freshen up" a fire in this heater. Keep all such liquids well away from heater while it is in use.
- 3) During operation, if any part of the stove starts to glow, the stove is in an overfired condition. Close the air controls completely until the glowing has stopped. **OVERFIRING VOIDS YOUR WARRANTY!**
- 4) Cool ashes should be disposed of carefully, using a metal container.
- 5) Do not burn wet or green wood. Store wood in a dry location.
- 6) **DO NOT BURN GARBAGE OR FLAMMABLE FLUIDS SUCH AS GASOLINE, NAPHTHA OR ENGINE OIL.** Do not burn treated wood, or wood with salt (driftwood, etc.). Burning materials other than wood (including charcoal) under adverse conditions may generate carbon monoxide in the home, resulting in illness or possible death.
- 7) Do not permit creosote or soot to accumulate excessively in the chimney or inside the firebox.
- 8) Check your chimney system thoroughly when installing into an existing metal or masonry chimney. Seek professional advice if in doubt about its condition.
- 9) Do not connect this unit to a chimney flue already serving another appliance.
- 10) Comply with all minimum clearances to combustibles as shown in this manual for this appliance.
- 11) Build fire on brick firebox floor. Do not use grates, andirons or other methods to support fuel.
- 12) **HOT WHILE IN OPERATION!** Keep children, pets, clothing and furniture away. Contact can cause skin burns.
- 13) Do not connect to any air distribution duct or system
- 14) **RISK OF FIRE!** Do not operate with stove door open, without the firescreen, or ash removal system door open.
- 15) For further information refer to NFPA 211 (USA) or CAN/CSA-B365 (Canada).
- 16) Do not operate without fully assembling all components. Burning your stove without the legs attached (if supplied with unit) will void your warranty, and could present a serious safety hazard
- 17) Do not operate with broken glass..

PRIOR TO FIRST FIRE: Remove all labels from glass. Clean plated surfaces with a glass cleanser and soft cloth to prevent staining from fingerprint oils.

SAVE THESE INSTRUCTIONS

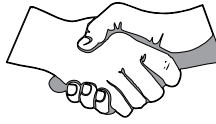

HEARTH & HOME
technologies

1445 North Highway
Colville, WA 99114-2008

250-5763C September 1, 2008

www.quadrafire.com

Congratulations



and Welcome to the Quadra-Fire Family!

Hearth & Home Technologies welcomes you to our tradition of excellence! In choosing a Quadra-Fire appliance, you have our assurance of commitment to quality, durability, and performance.

This commitment begins with our research of the market, including 'Voice of the Customer' contacts, ensuring we make products that will satisfy your needs. Our Research and Development facility then employs the world's most advanced technology to achieve the optimum operation

of our stoves, inserts and fireplaces. And yet we are old-fashioned when it comes to craftsmanship. Each unit is meticulously fabricated and gold and nickel surfaces are hand-finished for lasting beauty and enjoyment. Our pledge to quality is completed as each model undergoes a quality control inspection.

We wish you and your family many years of enjoyment in the warmth and comfort of your hearth appliance. Thank you for choosing Quadra-Fire.

CAUTION: HOT WHILE IN OPERATION DO NOT TOUCH, KEEP CHILDREN AND CLOTHING AWAY. CONTACT MAY CAUSE SKIN BURNS. KEEP FURNISHINGS AND OTHER COMBUSTIBLE MATERIAL FAR AWAY FROM THE APPLIANCE. SEE NAMEPLATE AND INSTRUCTIONS.

ATTENTION: CHAUD LORS DE L'OPÉRATION. NE PAS TOUCHER. GARDEZ LES ENFANTS ET LES VÊTEMENTS LOIN DE L'ESPACE DÉSIGNÉ DE L'INSTALLATION. LE CONTACT PEUT CAUSER DES BRÛLURES À LA PEAU. GARDEZ LES MEUBLES ET LES MATÉRIELS COMBUSTIBLES LOIN DE L'ESPACE DÉSIGNÉ DE L'APPAREIL. VOIR L'ÉTIQUETTE ET LES INSTRUCTIONS.

Report / Rapport
#061-5-18-2

QUADRA-FIRE
TESTED TO / TESTÉ À:
UL 1482, UL 737, ULC S627.

SERIAL NO. / NUMÉRO DE SÉRIE
007

PREVENT HOUSE FIRES
Install and use only in accordance with manufacturer's installation and operating instructions. Contact local building or fire officials about restrictions and installation inspections in your area. Do not obstruct the space beneath heater.
WARNING - For Mobile Homes: Do not install in a sleeping room. An outside combustion air inlet must be provided and unrestricted while unit is in use. The structural integrity of the mobile home floor, ceiling and walls must be maintained. The stove needs to be properly grounded to the frame of the mobile home. Components required for mobile home installation: Outside Air Kit, Part Number 831-1780. Refer to manufacturer's instructions and local codes for precautions required for jacking chimney through a combustible wall or ceiling and maximum offsets. Inspect and clean chimney frequently. Under Certain Conditions of Use, Creosote Buildup May Occur Rapidly. Do not connect this unit to a chimney serving another appliance. Optional Components: Optional Blower, Part 831-1701. Electrical Rating: 115 VAC, 1.2 Amps, 60 Hz. Route power cord away from unit. Do not route cord under or in front of appliance. **DANGER:** Risk of electrical shock. Disconnect power supply before servicing. Replace glass only with 5mm ceramic available from your dealer. Do not use grate or elevate fire. Build wood fire directly on firebrick. Do not overfire - if heater or chimney connector glows, you are overfiring. Operate only with the fuel loading door closed. Open only to add fuel to fire. Optional Fire Screen Part 834-3610, may be used ONLY in U.S. residential installations.

PRÉVENTION DES FEUX DE MAISON
Installez et utilisez en accord avec les instructions d'installation et d'opération du fabricant. Contactez le bureau de la construction ou le bureau des incendies au sujet des restrictions et des inspections d'installation dans votre voisinage. Ne pas obstruer l'espace en dessous de l'appareil.
AVIS - Pour Les Maisons Mobiles: Ne pas installer dans une chambre à coucher. Un tuyau extérieur de combustion doit être installé et ne doit pas être obstrué lorsque l'appareil est en usage. La structure intégrale du plancher, du plafond et des murs de la maison mobile doit être maintenue intacte. L'appareil de chauffage doit être fixé à la charpente de la maison mobile. Les composants requis pour l'installation des maisons mobiles: Assemblage d'air extérieur, Numéro de pièce 831-1780. Référez vous aux instructions du fabricant et des codes locaux pour les précautions requises pour passer une cheminée à travers un mur ou un plafond combustibles, et les compositions maximales. Inspectez et nettoyez la cheminée fréquemment. Sous certaines conditions, il se peut que la croûte s'accumule rapidement. Ne pas connecter cet appareil à une cheminée servant à autre appareil. Composants Optionnels: Ventilateur Optionnel, Pièce #831-1701. Puissance Électrique: 115 VAC, 1.2 Amps, 60 Hz. Brancher le fil électrique de l'appareil. Ne pas faire passer le fil électrique au dessus ou en dessous de l'appareil. **DANGER:** Il y a un risque de décharge électrique. Déconnecter le fil électrique de la prise de contact avant le service. Remplacez le vitre seulement avec une vitre céramique de 5 mm disponible chez votre fournisseur. Ne lever pas le feu. Bâchez le feu de bois directement sur des bûches. Ne pas surchauffer: Si l'appareil de chauffage ou le tuyau de cheminée rougissent, vous surchauffez. Ouvrez l'appareil seulement lorsque la porte de chargement est fermée. Ouvrez la porte seulement lorsque vous devez ajouter des combustibles dans le feu. Écran de Cheminée Optionnel: Pièce 834-3610, peut être utilisé seulement pour les installations résidentielles aux États-Unis.

FLOOR PROTECTION: Floor protector must be non-combustible material or equivalent, extending beneath heater and to horizontal base as indicated on the diagram below.
Exception: Non-combustible floor protectors must extend beneath the flue pipe when installed with horizontal venting and extend 2 inches (51mm) beyond each side.

PROTECTION DU PLANCHER: Le protecteur de plancher doit être de matériel incombustible ou équivalent, s'étendant du dessous de l'appareil de chauffage à l'horizontale, aux cotés et à l'arrière comme indiqué sur le diagramme suivant.
Exception: Les protections incombustibles du plancher doivent s'étendre en dessous du conduit de cheminée lorsqu'installées avec une ventilation à l'horizontale et s'étendre de 2" (51mm) de chaque côté.

FOR TOP VENT INSTALLATIONS / POUR LES INSTALLATIONS DES CONDUITS DU HAUT:

	A	B	C	D	E	F	G	H	I	
SINGLE WALL PIPE	15 (881)	16 (406)	33 (838)	22 (558)	28 (711)	53 (1346)	18 (457)	16 (406)	CONDUIT DU MUR SIMPLE	
DOUBLE WALL PIPE	13 (330)	14 (356)	29 (737)	18 (457)	22 (558)	13 (330)	53 (1346)	18 (457)	14 (356)	CONDUIT DU MUR DOUBLE

INSTALLATION: ALCOVE - Six inch (6") (152mm) diameter listed double wall air insulated connector pipe with UL103 HT listed factory-built Class "A" chimney, or a masonry chimney. (Mobile Home must be equipped with a spark arrester.) Maximum depth of Alcove shall be no more than 38"(965mm) with a minimum height of 53" (1346mm) to top of unit, and the referenced clearances.

INSTALLATION: ALCOVE - De six (6") (152mm) de diamètre, le connecteur du conduit d'air isolé pour MUR DOUBLE avec une cheminée bâtit en usine UL103 HT de Classe "A", ou une cheminée de briques. Les maisons mobiles doivent être équipées d'un arrêt d'étréicelle. La profondeur maximum de l'alcove ne doit pas être de plus de 38" (965mm) avec une hauteur minimum de 53" (1346mm) du haut de l'appareil, et des espaces libres suivants.

FOR REAR VENT INSTALLATIONS / POUR LES INSTALLATIONS DES CONDUITS ARRIÈRES:

	A	B	C	D	E	F	G	H	I	
SINGLE WALL PIPE	N/A	N/A	33 (838)	22 (558)	N/A	N/A	36 1/4" (914.25)	N/A	14/9 (356/229)	0" in Masonry Wall (Dans le Mur de Briques)

IN A MASONRY FIREPLACE OR THROUGH THE WALL: Six inch (6") (152mm) diameter listed double wall air insulated connector pipe with UL103 HT listed factory-built Class "A" chimney, or a masonry chimney. (Mobile Home must be equipped with a spark arrester.) Additional specifications include a maximum 8" deep mantel without heat shield and the following clearances.

DANS UNE CHEMINÉE EN BRIQUES OU À TRAVERS LE MUR: De six (6") (152mm) de diamètre, le connecteur du conduit d'air isolé pour MUR DOUBLE avec une cheminée bâtit en usine UL103 HT de Classe "A", ou une cheminée de briques. (Les maisons mobiles doivent être équipées d'un arrêt d'étréicelle). Les spécifications additionnelles incluent un manteau de cheminée de 8" de profondeur maximum sans les protecteurs de chaleur et les espaces libres suivants.

MINIMUM CLEARANCES TO COMBUSTIBLE MATERIALS:
In Inches (Millimeters)
NOTE: All "A", "C" and "D" Dimensions are to the inside diameter of the flue collar.

ESPACE LIBRES MINIMUM DES MATÉRIELS COMBUSTIBLES:
En Pouces & (millimètres)
NOTE: Toutes les dimensions "A", "C", et "D" sont à partir du diamètre intérieur de l'entrée du conduit.

Manufactured by: **HEARTH & HOME technologies**
Fabriqué par: 1445 N. Highway, Colville, WA 99114
www.quadrafire.com

2008 2009 2010 Jan. Feb. Mar. Apr. May June July Aug. Sept. Oct. Nov. Dec.

DO NOT REMOVE THIS LABEL / NE PAS ENLEVER L'ÉTIQUETTE

Made in U.S.A. / Fait Aux États-Unis

U.S. ENVIRONMENTAL PROTECTION AGENCY - 250-5772

Serial Number
Model Name
Test Lab & Report No.

Date of Manufacture

LABEL LOCATION: ON THE BACK OF THE STOVE

Page 2

250-5763C

September 1, 2008

Download From www.Somanuals.com. All Manuals Search And Download.

TABLE OF CONTENTS

PRE-USE CHECK LIST

1.		Place the unit in a location near the final installation area and follow the procedures below.
2.		Open the stove and remove all the parts and articles packed inside. Inspect all the parts and cast iron body for shipping damage. Contact your dealer if any irregularities are noticed.
3.		All safety warning have been read and followed.
4.		This Owner's Manual has been read.
5.		Floor protection requirements have been met.
6.		Chimney connector is properly installed.
7.		The proper clearances from the stove and chimney to combustibles materials have been met.
8.		The masonry chimney is inspected by a professional and is clean, or the factory-built metal chimney is installed according to the manufacturer's instructions and clearances.
9.		The chimney meets the required minimum height.
10.		All labels have been removed from the glass doors.
11.		Plated surfaces have been wiped clean.

CAUTION!
DO NOT TILT THE UNIT ON THE CAST IRON LEGS.
 Lift the unit upright and place it into position on the floor protector.

Serial Number Label Location 2

Pre-Use Checklist 3

Listings & Safety Notices 4

Dimensions 5

Vent Specifications 5

Clearances

Top & rear vent installations 6

Floor protection 7

Locating your stove 8

Alternate floor protection calculation 8

Installation

Reversible flue collar 9

Rear flue deflector cover plate 9

Chimney height requirements & draft 10

2-10-3 Rule 10

Flue & venting systems 11

Chimney connector 11

Masonry chimney 11

Solid pack chimney with

Metal supports as a thimble 12-13

Masonry fireplace 14

Metal prefabricated chimney 15

Mobile home installation 16

Outside air kit installation 17

Optional Blower 17

Operation

Over-firing Your Appliance 18

Burning process 18

Air controls 19

Heat output setting 20

Operation of top-load option 20

Building a fire 21

Opacity 21

Burn rates 22

Wood selection and storage 22

Blower operating instructions 22

Maintenance

Creosote formation & removal 23

Chimney cleaning 23

Ash removal 23

Overfring 23

Firebrick 23

Glass care & replacement 24

Plated Surfaces 24

Brick replacement 25

Door & gasket 25

Service & Maintenance Log 26

Exploded views 27

Service Part & Accessories 28

Warranty 30-31

Contact Information 32

LISTINGS and SAFETY NOTICES

These installation instructions describe the installation and operation of the **QUADRA-FIRE ISLE ROYALE** woodstove. This stove meets the U.S. Environmental Protection Agency's 1990 particulate emission standards. The stove is listed by OMNI-Test Laboratories, Inc. to UL Safety Standard 1482, and ULC S627, and (UM) 84-HUD., Report number 061-S-18-2. This stove is approved for mobile home installations when not installed in a sleeping room and when an outside combustion air inlet is provided. The structural integrity of the mobile home floor, ceiling, and walls must be maintained. The stove must be properly grounded to the frame of the mobile home and only use listed double-wall pipe. Outside Air Kit, Part 831-1780 must be installed in a mobile home installation.

Check with your local building code agency before you begin your installation to ensure compliance with local codes, including the need for permits and follow-up inspections. Be sure local building codes do not supersede UL specifications and always obtain a building permit so that insurance protection benefits cannot be unexpectedly cancelled. If any assistance is required during installation, please contact your local dealer.

Inspect and clean vent system frequently in accordance with the instructions contained in this manual. Do not connect this unit to a chimney serving another appliance.

When using optional Blower, Part 831-1701, route power cord away from unit. Do not route cord under or in front of appliance.

Do not elevate fire. Build wood fire directly on firebrick.

Do not overfire - if heater or chimney connector glows, you are overfiring. Stove thermometer recommended.

Operate only with the door closed unless using a firescreen. Open only to add fuel to the fire. Operating with the door open can cause hot embers or sparks to fall out and a fire may result.

INSTALLATION MATERIALS NEEDED FOR YOUR SAFETY

CHIMNEY CONNECTOR (also known as flue pipe or stove pipe): The chimney connector joins the stove to the chimney (**see page 11**). It must be 6 inch (152mm) minimum diameter 24 MSG black or blued steel, or an approved air-insulated double wall venting pipe.

THIMBLE: A manufactured or site-constructed device installed in combustible walls through which the chimney connector passes to the chimney (**see page 11-12**). It is intended to keep the walls from igniting.

CHIMNEY SYSTEMS:

1. **APPROVED MASONRY** (**see specifications on page 14**) with at least 5/8 inch (16mm) fire clay lining joined with refractory cement or other listed system suitable for use with wood stoves.
2. **PREFABRICATED** 6 inch (152mm) listed high temperature (UL 103 HT or ULC S629) chimney. Components required by manufacturers for installation such as the chimney support base, firestop (as appropriate), attic insulation shield, insulated tee, etc., are necessary to assure a safe chimney installation. Use only components manufactured for the chimney. Chimney installation should meet NFPA 211 standards.

FIRE SAFETY: To provide reasonable fire safety, the following should be given serious consideration:

1. Install at least one smoke detector on each floor of your home to ensure your safety. They should be located away from the heating appliance and close to the sleeping areas. Follow the smoke detector manufacturer's placement and installation instructions, and be sure to maintain regularly.
2. A conveniently located Class A fire extinguisher to contend with small fires resulting from burning embers.
3. A practiced evacuation plan, consisting of at least two escape routes.
4. A plan to deal with a chimney fire as follows:

In the event of a chimney fire:

- A. Notify fire department.
- B. Prepare occupants for immediate evacuation.
- C. Close all openings into the stove.
- D. While awaiting fire department, watch for ignition of adjacent combustibles from overheated stove pipe, hot embers or sparks from the chimney.

VENTING SYSTEM

The venting system consists of a chimney connector and a chimney. These get extremely hot during use. Temperatures inside the chimney may exceed 2000°F (1100°C) in the event of a creosote fire. To protect against the possibility of a house fire, the chimney connector and chimney must be properly installed and maintained. An approved thimble must be used when a connection is made through a combustible wall to a chimney. A chimney support package must be used when a connection is made through the ceiling to a prefabricated chimney. These accessories are absolutely necessary to provide safe clearances to combustible wall and ceiling material. Follow venting manufacturer's clearances when installing venting system.

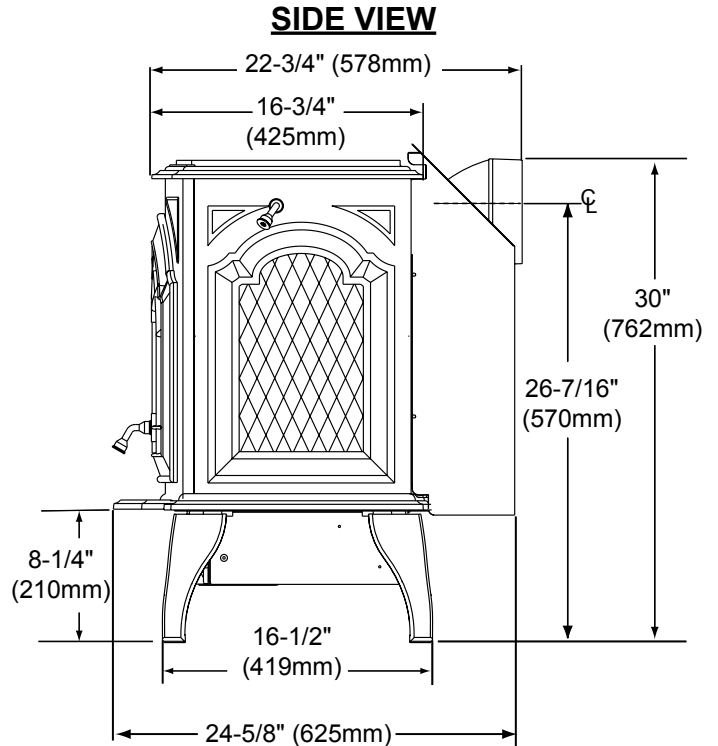
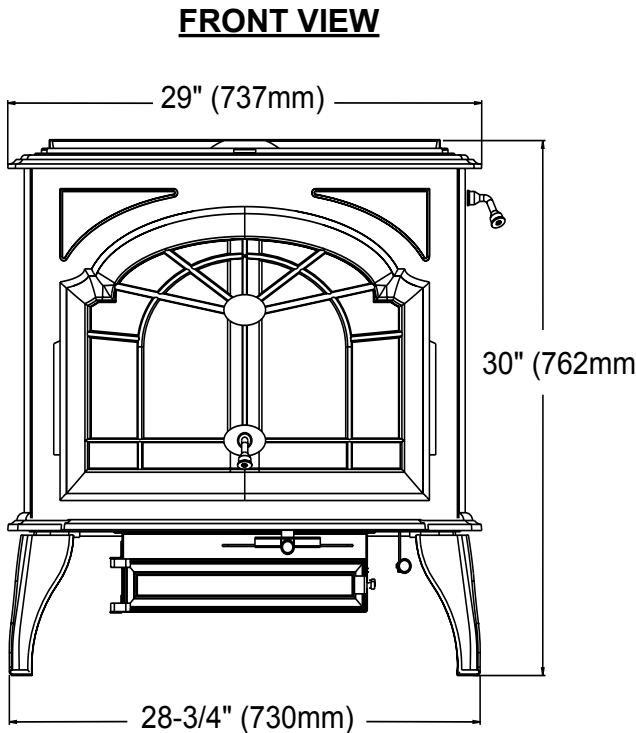
This stove may be connected to a lined masonry chimney or a listed high temperature prefabricated approved metal chimney. Do not connect it to a chimney serving another appliance. To do so will affect the safe operation of both appliances.

WARNING! NEVER DRAW OUTSIDE COMBUSTION AIR FROM A WALL, FLOOR OR CEILING CAVITY OR FROM ANY ENCLOSED SPACE SUCH AS AN ATTIC OR GARAGE.

WARNING ! DO NOT ATTEMPT TO OPERATE THIS WOODSTOVE WITHOUT READING AND UNDERSTANDING THESE OPERATING INSTRUCTIONS THOROUGHLY. FAILURE TO OPERATE THIS APPLIANCE PROPERLY MAY CAUSE A HOUSE FIRE.

WARNING ! THE OUTSIDE SURFACES OF THIS UNIT WILL BECOME EXTREMELY HOT DURING USE. ALWAYS KEEP CHILDREN AWAY WHILE IT IS OPERATING AND DO NOT LET ANYONE OPERATE THIS APPLIANCE UNLESS THEY ARE FAMILIAR WITH THESE OPERATION INSTRUCTIONS.

DIMENSIONS



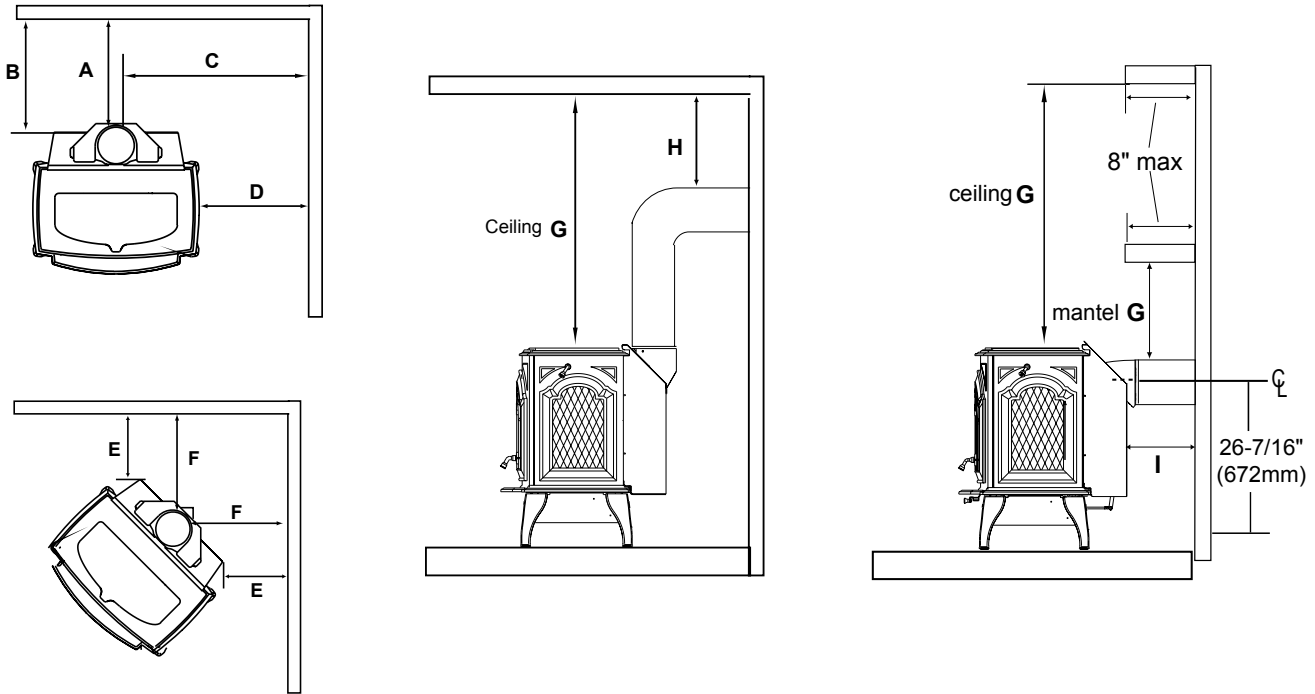
VENT SPECIFICATIONS:

Single Wall: Six inch (6") (152mm) diameter, minimum 24 MSG black or blued steel connector pipe, with a listed factory-built chimney type UL103 HT* suitable for use with solid fuels, or a masonry chimney, and the referenced clearances.

Double Wall/Mobile Home: Six inch (6") (152mm) diameter, listed double wall air insulated connector pipe with listed factory-built UL103 HT* Class "A" chimney, or a masonry chimney (Mobile Home must be equipped with a spark arrestor), and the referenced clearances. Use only double-wall connector pipe, Dura-Vent DVL, Selkirk metalbestos DS, Security DL double wall connector or any listed double-wall connector pipe.

***In Canada must comply with CAN/ULC-S629 or the 650° Factory-built chimney.**

CLEARANCES TO COMBUSTIBLES (UL and ULC)



MINIMUM CLEARANCES TO COMBUSTIBLE MATERIALS In Inches & (Millimeters)

NOTE: "A" ,"C" and "F" Dimensions are to the inside diameter of the flue collar.

OMNI Test Laboratories, Inc Report Number 061-S-18-2

	A	B	C	D	E	F	G	H	I
FOR TOP VENT INSTALLATIONS:									
SINGLE WALL PIPE	15 (381)	16 (406)	33 (838)	22 (558)	22 (558)	28 (711)	53 (1346)	18 (457)	16 (406)
DOUBLE WALL PIPE	13 (333)	14 (356)	29 (737)	18 (457)	6 (153)	12 (305)	53 (1346)	18 (457)	14 (356)
INSTALLATION: ALCOVE Six inch (6") (152mm) diameter listed Double Wall air insulated connector pipe with UL 103 HT listed factory-built Class "A" chimney, or a masonry chimney. (Mobile Home must be equipped with a spark arrestor). Maximum depth of Alcove shall be no more than 48 inch(1220mm). Please refer to the clearances below for minimum Alcove height requirements to top of unit.									
DOUBLE WALL PIPE	13 (333)	14 (356)	29 (737)	18 (457)	N/A	N/A	53 (1346)	18 (457)	14 (356)
FOR REAR VENT INSTALLATIONS:									
IN A MASONRY FIREPLACE OR THROUGH THE WALL: Six inch (6") (152mm) diameter listed double wall air insulated connector pipe with UL 103HT listed factory-built Class "A" chimney, or a masonry chimney. (Mobile Home must be equipped with a spark arrestor). Additional specifications include a maximum 8 inch (203mm) deep mantel without heat shield and the following clearances.									
	A	B	C	D	E	F	G	H	I
	N/A	N/A)	33 (838)	22 (558)	N/A	N/A	36 (914) ceiling 14 (356)* mantel	N/A	14 (356) 9 (229) 0 (00) In Masonry Wall
	* (G mantel) with shield spaced 1 inch (25mm) away from bottom mantel surface.								

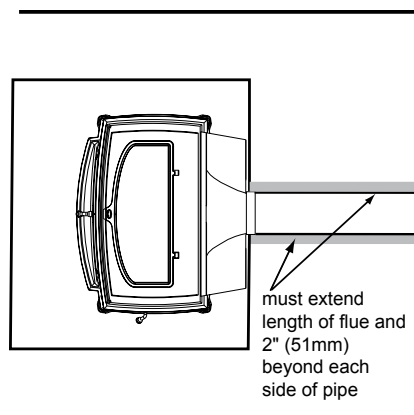
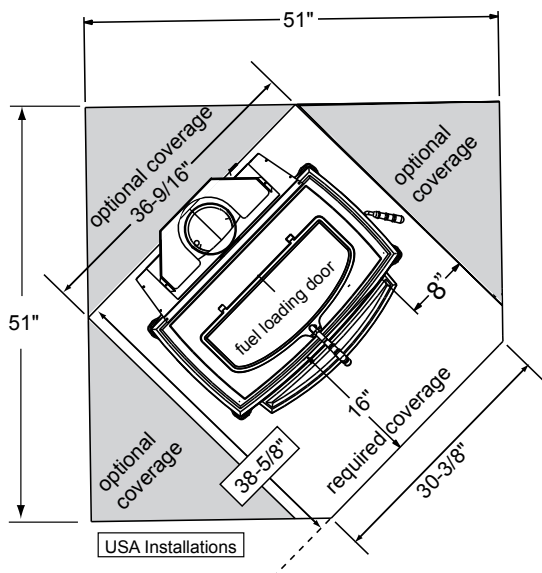
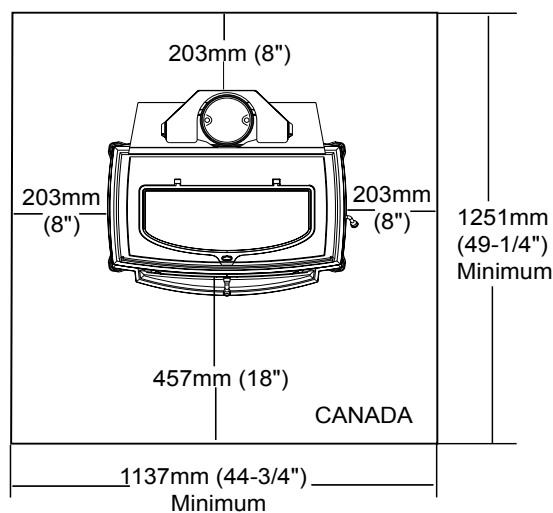
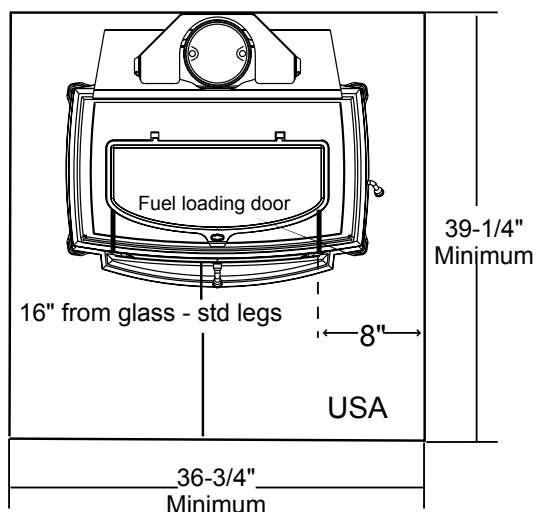
FLOOR PROTECTION

The floor must be non-combustible material, extending beneath heater and to the front, sides and rear as indicated. The floor must be non-combustible or otherwise adequately protected from radiant heat given off by the unit and from sparks and falling embers. A layer of thin brick or ceramic tile over a combustible floor is not sufficient. See Alternate floor protection calculation sample on **page 8**.

In USA installations, it is necessary to install a floor protector 16 inches in front and 8 inches to both sides of the loading door. **See *exception below**.

In Canada, similar floor protection must be provided 18 inches (457mm) in front and 8 inches (203mm) from the sides and rear of the stove. **See *exception below**.

***EXCEPTION:** Non combustile floor protections must extend beneath the flue pipe when installed with horizontal venting and extend 2 inches (51mm) beyond each side.



USA - Required
CANADA - Recommended

LOCATING YOUR STOVE

WHEN LOCATING YOUR STOVE consider safety, convenience, traffic flow, and the fact that the stove will need a chimney and chimney connector. It is a good idea to plan your installation on paper, using exact measurements for clearances and floor protection, before actually beginning the installation. If you're not using an existing chimney, place the stove where there will be a clear passage for a factory-built listed chimney through the ceiling and roof.

AVOID FIRE: Maintain the designated clearances to combustibles. Insulation must not touch the chimney. You must maintain the designated air space clearance around the chimney. This space around a chimney is necessary to allow natural heat removal from the area. Insulation in this space will cause a heat buildup, which may ignite wood framing. **NOTE: Clearances may only be reduced by means approved by the regulatory authority having jurisdiction.**

WE RECOMMEND that you have a qualified building inspector and your insurance company representative review your plans before and after installation.

Calculating Alternate Floor Protection

Material

Thermal Conductivity: k value

The k value indicates the amount of heat (in BTU's) that will flow in 1 hour through 1 square foot of a uniform material 1 inch thick for each degree (F) of temperature difference from one side of the material to the other. The LOWER the k factor means less heat is being conducted through the non-combustible material to the combustible material beneath it. The k value of a material must be equal or smaller then the required k value to be acceptable.

$$\frac{(\text{BTU}) (\text{inch})}{(\text{foot}^2 (\text{hour}) (^\circ\text{F}))}$$

Thermal Resistance: R value

The R value is a measure of a material's resistance to heat transfer. R value is convenient when more than one material is used since you can add the R values together, whereas you can not do this for k value. The HIGHER the R factor means less heat is being conducted through the non-combustible material to the combustible material beneath it. The R value of a material must be equal or larger then the required R value to be acceptable.

Converting k to R:

Divide 1 by k and multiply the results times the thickness in inches of the material.

$$R = 1/k \times \text{inches of thickness}$$

Converting R to k:

Divide the inches of thickness by R.

$$k = \text{inches of thickness}/R$$

Calculators:

Example: Floor protection requires k value of 0.84 and 3/4 inch thick.

Alternative material has a k value of 0.6 and is 3/4 inch thick.

Divide 0.6 by .75 = k value of 0.80. This k value is smaller than 0.84 and therefore is acceptable.

REVERSIBLE FLUE COLLAR

The flue collar is reversible for either a top or rear venting installation. The unit is shipped with the flue collar in the top vent position.

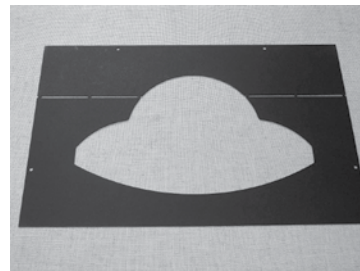
CONVERTING COLLAR FOR REAR VENT INSTALLATION

1. Remove 5 Phillips head screws from the rear shield, lift shield up and set aside.
2. Remove bolts from each side of the flue transition (2 total). (Place your free hand in flue opening to locate and retrieve nuts attached to bolts.)
3. Turn vent to horizontal position. Inspect sealant to ensure a leak free application.
4. Re-assemble in reverse order.

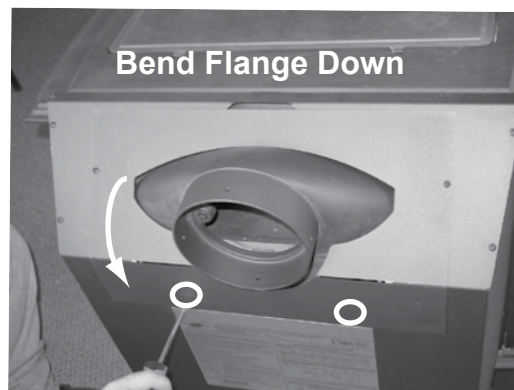
REAR FLUE DEFLECTOR COVER PLATE

This cover plate is used when the flue collar is turned for a rear vent application.

Please note this cover plate will not work with the Low-Profile Kit



1. After the flue collar has been reversed for a rear vent installation, install the cover plate on the stove with the two screws provided.



2. Bend the cover plate flange down.
3. Secure the cover plate with the remaining two screws.

CHIMNEY HEIGHT REQUIREMENTS / DRAFT

To be sure that your stove burns properly, the chimney draft (static pressure) should be approximately $-.04$ " water column (W.C.) during a low burn and $-.10$ " W.C. during a high burn, measured 6 inches (152mm) above the top of the stove after one hour of operation at each burn setting.

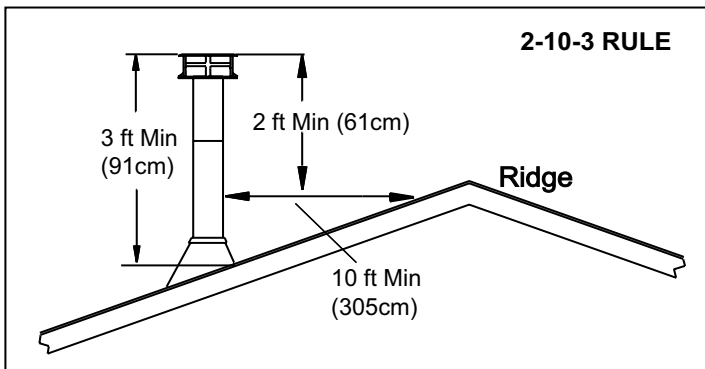
NOTE: These are guidelines only, and may vary somewhat for individual installations.

The stove was designed for and tested on a 6 inch (152mm) chimney, 12 ft.-14 ft. (360-420cm) high, measured from the base of the stove. The further your stack height or diameter varies from this configuration, the possibility of performance problems increases. In addition, exterior conditions such as roof line, surrounding trees, prevailing winds and nearby hills can influence stove performance.

A masonry chimney or a listed factory-built UL103 HT Class "A" chimney must be the required height above the roof and any other nearby obstructions. The chimney must be at least 3 ft. (91cm) higher than the highest point where it passes through the roof and at least 2 ft. (61cm) higher than the highest part of the roof or structure that is within 10 ft. (305cm) of the chimney, measured horizontally. **See 2-10-3 Rule below.**

These are safety requirements and are not meant to assure proper flue draft.

We recommend using a minimum total system height of 12 ft. (360cm), measured from the flue collar to the top of the chimney (not including chimney cap).



A proper amount of flue draft is required to assure the safe and efficient operation of this woodstove. Flue draft is measured as negative pressure in the chimney. The amount of negative pressure determines the strength of the draft. This draft performs two important roles in the operation of the woodstove. It draws the combustion air into the firebox, and pulls the smoke out of the chimney.

Three factors work together as a system to create the flue draft; 1) availability of combustion air; 2) heat generated from the fire, and 3) diameter and height of the flue system.. Increasing or decreasing any one of them will affect the other two and thus change the amount of draft in the entire system.

A source of air (oxygen) is necessary in order for combustion to take place. The combustion air enters the firebox below the ash catcher and is directed to the upper front of the firebox. These openings are regulated by the Primary Air Slide Control and Start-up Air Control, (see **page 18** for operation of these controls). It is important to realize that whatever combustion air is consumed by the fire must be replaced. If you are using room air, the air is replaced via air leakage that occurs around windows and under doors, etc. However, in most newly constructed houses, mobile homes, or even existing homes that are fitted with tightly sealed doors and windows, the area from which the combustion air is taken is relatively air tight. In these cases, an outside air source must be made available to feed combustion air from outside the home into the stove. An Outside Air Kit is available as an option, Part 831-1780. The kit is a requirement for mobile home installations.

A specific volume of air, determined by the diameter and height of the chimney connector and chimney, is contained within the flue system. As heat from the fire enters the flue, it warms this air causing it to rise. The air moving up the flue draws smoke and more heated air from the fire with it, thus establishing draft. The amount of draft depends on the temperature of the heated air and the volume of air that is contained in the flue system.

If the fire is difficult to start, and smoke spills out of the door, or you find it hard to establish and maintain a moderately high burn rate, then the flue draft is too low and corrective measures must be taken.

If you still suspect you have a low draft problem, it may be necessary to increase the volume of air in your flue system. Since the diameter of your flue system is matched with the size of the flue collar and should not be changed, the height of the system will need to be increased. Add chimney a little at a time until the draft improves, and ensure that the flue collar and venting section are sealed.

Your local dealer is the expert in your geographic area and can usually make suggestions or discover problems that will easily correct your flue draft problem, allowing your woodstove and its flue system to operate correctly and provide safe and economical heat for your home.

FLUE SYSTEMS

There are two separate and different parts to a flue system: the chimney connector and the chimney itself.

1. Single wall connector or stovepipe. This must be at least 24 gauge mild steel or 26 gauge blue steel. The sections must be attached to the stove and to each other with the crimped (male) end pointing toward the stove. **See Figure 11A.** All joints, including the connection at the stove collar, should be secured with three sheet metal screws. Make sure to follow the minimum clearances to combustibles as set out on **pages 6 and 7** of this manual. Where passage through the wall, or partition of combustible construction is desired, the installation shall conform to CAN/CSA-B365.
2. Factory-built listed chimney connector (vented). A listed connector (vented) must be used when installing this unit in a mobile home. A listed chimney and listed connector must be used. they must conform to each other to ensure a proper fit and seal.

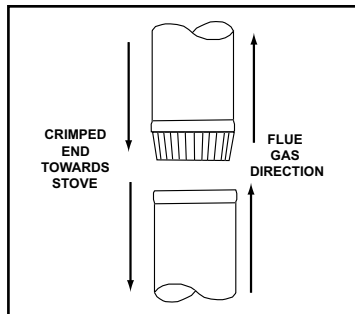


Figure 11A - Chimney Connector

MASONRY CHIMNEY

For optimal performance, masonry chimneys used to vent this appliance should be lined with a 6 inch stainless steel liner. Installations into a clay flue without a stainless steel liner may reduce efficiency, cause the glass to darken, and produce excessive creosote.

Ensure that a masonry chimney meets the minimum standards of the National Fire Protection Association (NFPA) Standard 211. It must have at least a 5/8 inch (16mm) fire clay liner or a listed chimney liner system. **See Figure 11B.** Make sure there are no cracks, loose mortar or other signs of deterioration and blockage. It is best to have the chimney inspected by a professional and be sure to have the chimney cleaned before the stove is installed and operated.

The flue should be checked to determine that it is not too large for the stove. NFPA 211 allows the cross-sectional area of the flue to be no more than 3 times the cross-sectional area of the flue collar of the stove ($28 \times 3 = 84$ square inches). It is recommended that a chimney with a larger diameter be relined, since the oversized flue can cause poor performance and contribute to the accumulation of creosote. (See **page 10** for more information about troubleshooting draft problems).

CAUTION! DO NOT CONNECT THIS UNIT TO A CHIMNEY FLUE SERVING ANOTHER APPLIANCE.

When connecting the stove through a combustible wall to a masonry chimney, special methods are needed. There are several ways to make this connection, including the construction of a masonry thimble. This installation shall conform to CAN/CSA-B365. Check with your local building authorities or consult the National Fire Protection Association (NFPA 211). Refer to **Figure 12B (page 12)** and **Figures 13A & 13B (page 13)**.

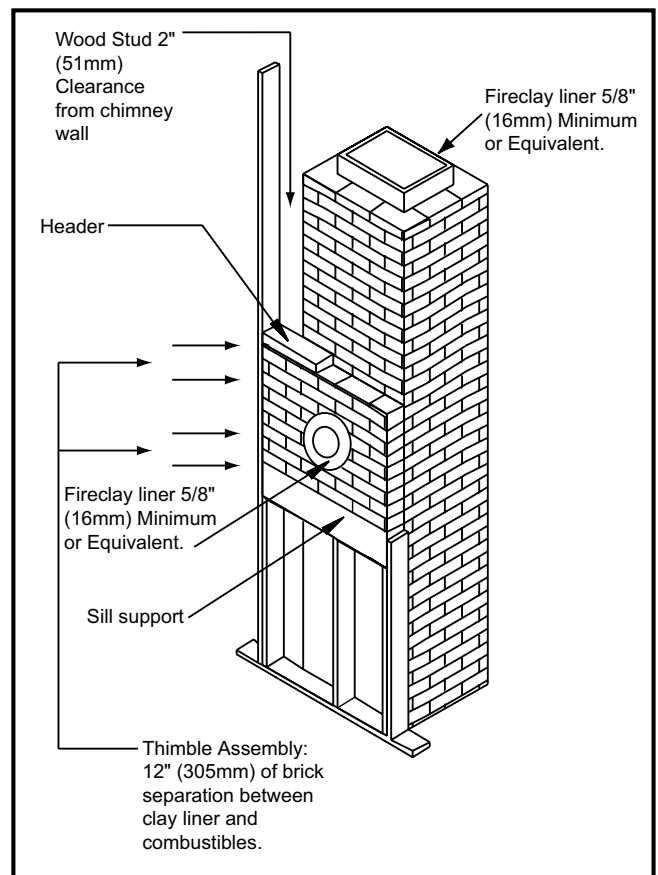


Figure 11B

WARNING! IF INSTALLING THIS MODEL TO A MASONRY CHIMNEY, ALWAYS BE SURE THE CHIMNEY IS IN GOOD CONDITION AND THAT IT MEETS THE MINIMUM STANDARDS OF THE NATIONAL FIRE PROTECTION ASSOCIATION (NFPA) STANDARD 211.

THIS APPLIANCE IS MADE WITH A 6 INCH/152mm DIAMETER CHIMNEY CONNECTOR AS THE FLUE COLLAR ON THE UNIT. CHANGING THE DIAMETER OF THE CHIMNEY CAN AFFECT DRAFT AND CAUSE POOR PERFORMANCE. IT IS NOT RECOMMENDED TO USE OFFSETS OR ELBOWS AT ALTITUDES ABOVE 4000 FEET ABOVE SEA LEVEL OR WHEN THERE ARE OTHER FACTORS THAT AFFECT FLUE DRAFT.

SOLID PACK CHIMNEY WITH METAL SUPPORTS AS A THIMBLE

For the method of installation to a masonry chimney shown in **Figures 13A & 13B, (page 13)** it will be necessary to purchase a 12 inch (305mm) long 8 inch (203mm) inside diameter section of prefabricated listed solid pack chimney to use as a thimble. Purchase a wall spacer, trim collar, and a wall band manufactured to fit the chimney section you purchase.

The safety features of this system are two fold: 1) a 2 inch (51mm) air space between the chimney section and combustible wall; and, 2) the 1 inch (25mm) air space around the chimney connector as it passes through the chimney section to the chimney.

The location of the opening through the wall to the chimney must leave a minimum 18 inches (457mm) vertical clearance between the connector pipe and the ceiling to prevent the ceiling from catching fire.

Measure as shown in **Figure 12A**. Cut an opening in the wall large enough to accommodate the outside dimension of the chimney section plus the minimum air space specified by its manufacturer. It may be necessary to cut the wall studs and install a header and a sill frame to maintain the wall support. The hole in the chimney must have at least an 8 inch (203mm) diameter fire clay liner or equivalent, secured with refractory mortar. If it is necessary to cut a hole in the chimney liner, use extreme care to keep it from shattering.

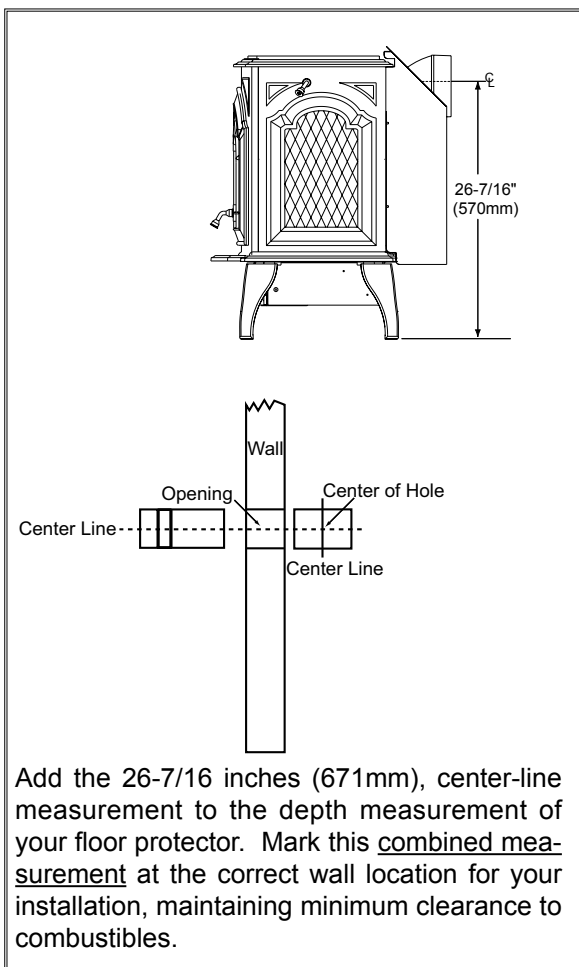


Figure 12A

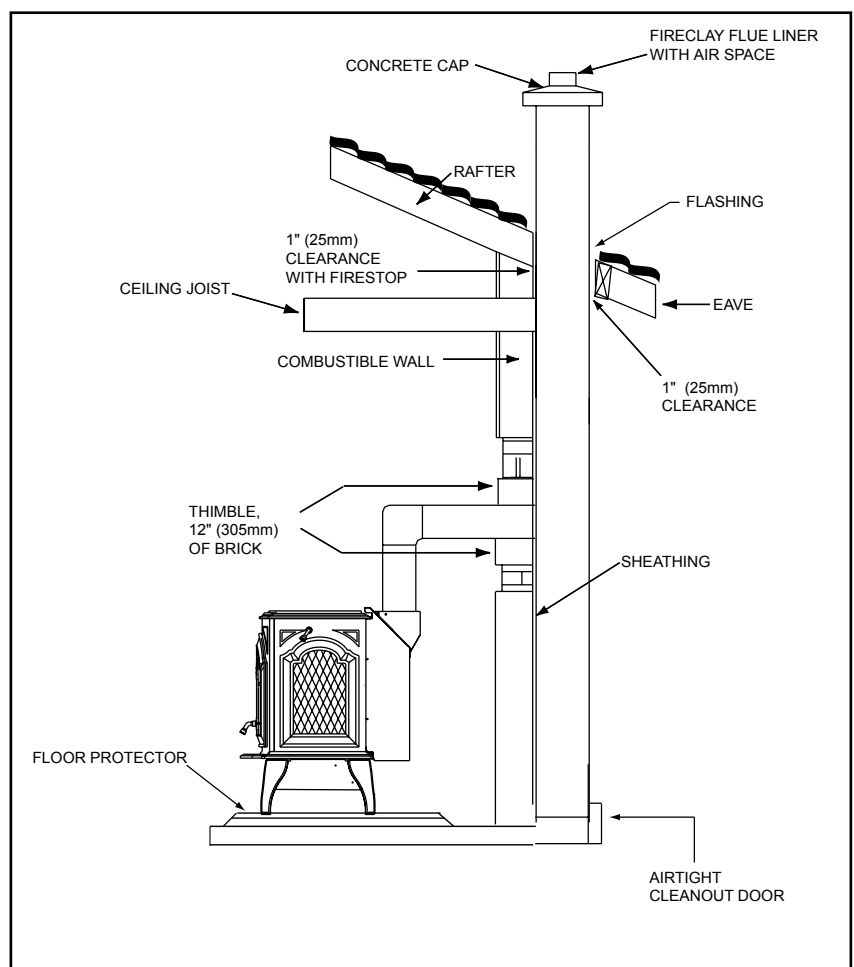


Figure 12B

WARNING! ALWAYS FOLLOW CHIMNEY CONNECTOR MANUFACTURER'S INSTRUCTIONS FOR PROPER INSTALLATION.

CHIMNEY CONNECTOR IS TO BE USED ONLY WITHIN THE ROOM, BETWEEN THE STOVE AND CEILING OR WALL, NEVER PASSING THROUGH A COMBUSTIBLE CEILING OR WALL. THE CONNECTOR SHALL NOT PASS THROUGH AN ATTIC OR ROOF SPACE, CLOSET OR SIMILAR CONCEALED SPACE, OR A FLOOR, OR CEILING. MAINTAIN MINIMUM CLEARANCES TO COMBUSTIBLES AS REFERENCED ON PAGES 6 & 7.

SOLID PACK CHIMNEY WITH METAL SUPPORTS AS A THIMBLE (CONT'D)

First, make the frame for the thimble, ensuring it is no smaller than 14 inches (356mm) square to maintain a 2 inch (51mm) air space around the chimney section.

Attach the wall spacer to the chimney side of the frame. Then insert the frame into the opening, toe nailing it to the wall studs. Install the wall band in the framing to secure the chimney section in place.

Insert a single section of chimney connector into the chimney through the wall band, being sure it does not protrude into the chimney beyond the edge of the chimney flue lining.

Apply high temperature furnace cement to the end of the chimney section and install it over the connector, through the wall spacer. Tighten the wall band to hold the chimney section firmly in place and against the chimney.

Install the trim collar on the outside of the opening. Check to ensure there is a 1 inch (25mm) air space between the connector and the chimney section.

During installation ensure that a 2 inch (51mm) air space to the wood framing is maintained. Do not fill this space with insulation. Insulation in this air space will cause a heat buildup which may ignite the wood framing.

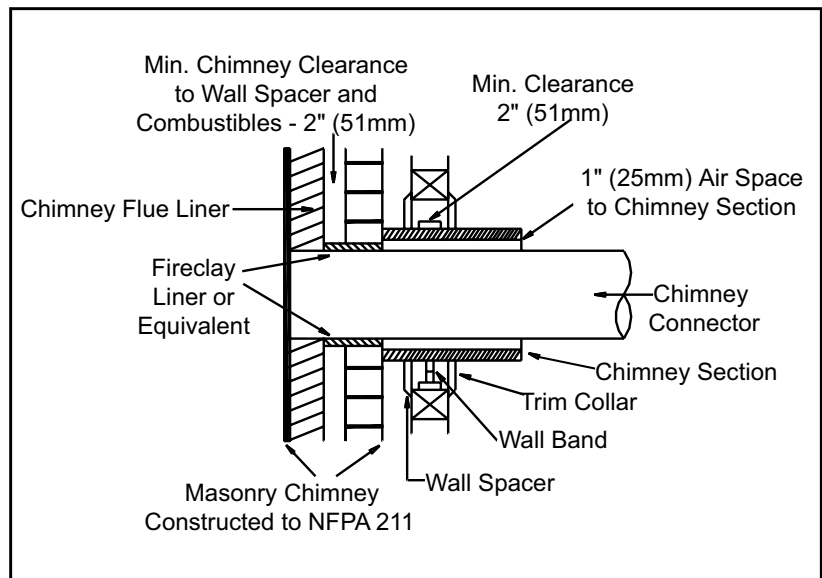


Figure 13A

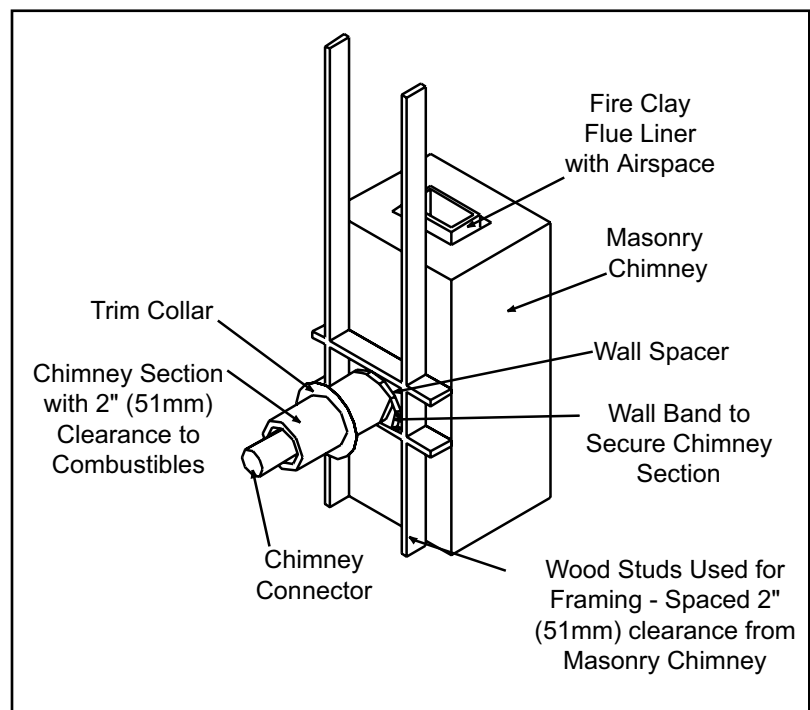
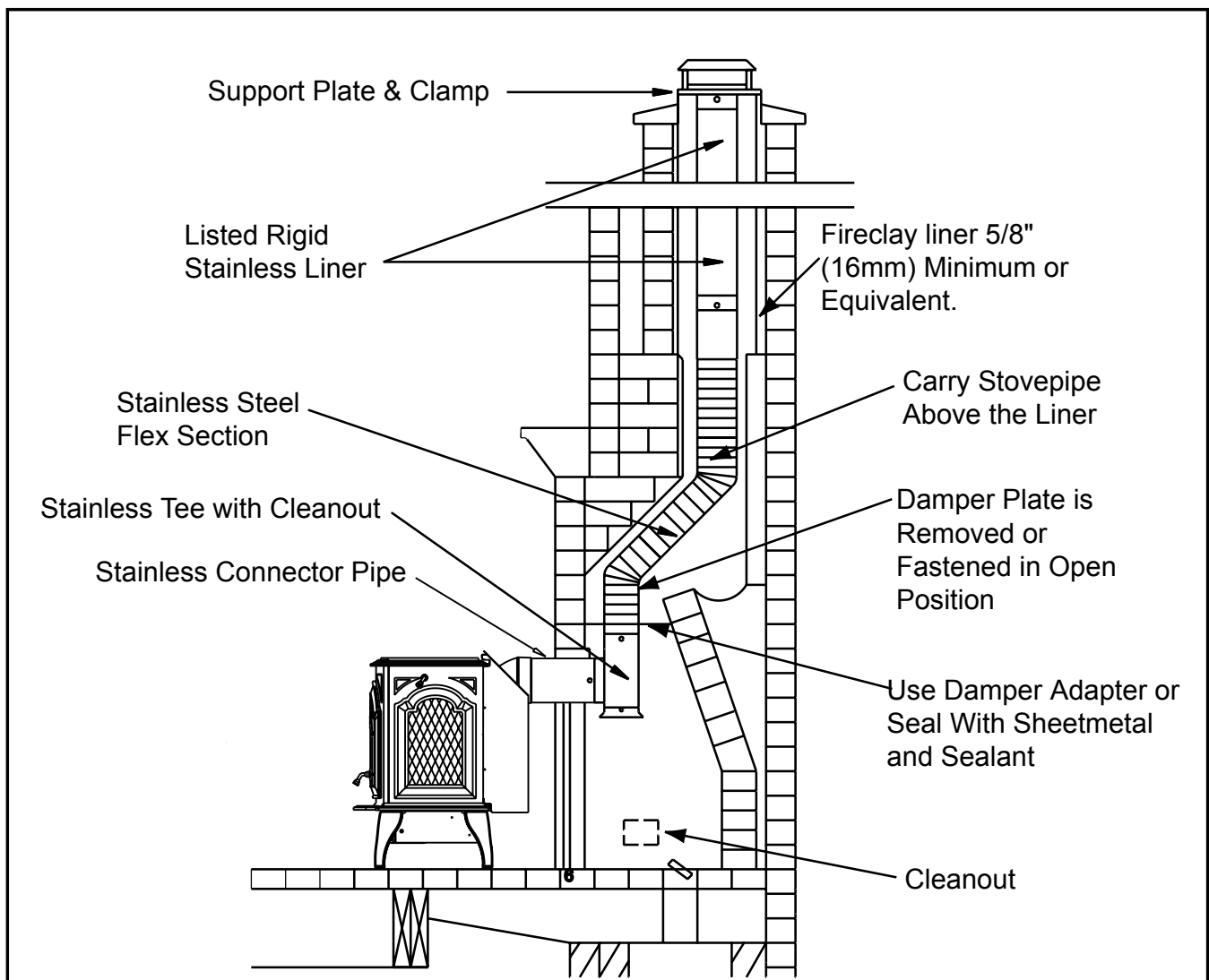


Figure 13B

CONNECTION TO A MASONRY FIREPLACE

There are several kits available to connect the stove to a masonry fireplace. Look for a listed kit. The kit is an adapter which is installed at the location of the fireplace damper. The existing damper may have to be removed to allow installation of the kit. The key points of this type of stove connection are that the connector pipe must extend up the chimney above where the fire clay liner starts, and the areas of the kit installation and penetration should fit tightly and be sealed with high temperature furnace cement unless the kit's instructions state otherwise. **Figure 14A.** The tight fitting installation aids the proper draw of the chimney.

NOTE: For instances with a fireplace measuring less than 30 inches in height, Hearth Legs (see Accessories on **page 25**) or Horizontal Flue Kit, Part 834-3790, may be ordered to complete the masonry fireplace installation.

**Figure 14A**

CONNECTION TO A METAL PREFABRICATED CHIMNEY

When a metal prefabricated chimney is used, the manufacturer's installation instructions must be followed precisely. It will be necessary to install the ceiling support package or wall pass through, "T" section package, firestops (when needed), insulation shield, roof flashing, chimney cap, and any other materials deemed necessary by the instructions of manufacturer of the prefabricated chimney. Maintain the proper clearance to the structure as recommended by the manufacturer. This clearance is usually a minimum of 2 inch (51mm), although it may vary by manufacturer or for certain components. Follow the manufacturers' instructions carefully.

There are basically two methods of metal chimney installation. One method is to install the chimney inside the residence through the ceiling and the roof. Install an attic insulation shield to maintain the specified clearance to insulation. Insulation in this air space will cause a heat buildup which may ignite the ceiling joists. This method of installation requires, at minimum, a ceiling support package, an insulation shield and roof flashing. **Figure 15A.**

The other method is to install an exterior chimney that runs up the outside of the residence. **See Figure 15B.** The components illustrated may not look exactly like the system you purchase, but they demonstrate the basic components necessary for a proper and safe installation.

The chimney must be the required height above the roof or other obstruction for safety and for proper draft operation. The requirement is that the chimney must be at least 3 ft. (91cm) higher than the highest point where it passes through the roof and at least 2 ft (61cm) higher than the highest part of the roof or structure that is within 10 ft. (305cm) of the chimney, measured horizontally. **(See page 10)**

IMPORTANT! FOLLOW MANUFACTURERS' INSTALLATION INSTRUCTIONS AND MAINTAIN CLEARANCES AS SPECIFIED ON PAGES 6 & 7.

In Canada, when using a factory-built chimney, make sure it is safety listed, Type UL 103 HT CLASS "A" or conforming to CAN/ULC-S629, STANDARD FOR 650°C FACTORY-BUILT CHIMNEYS.

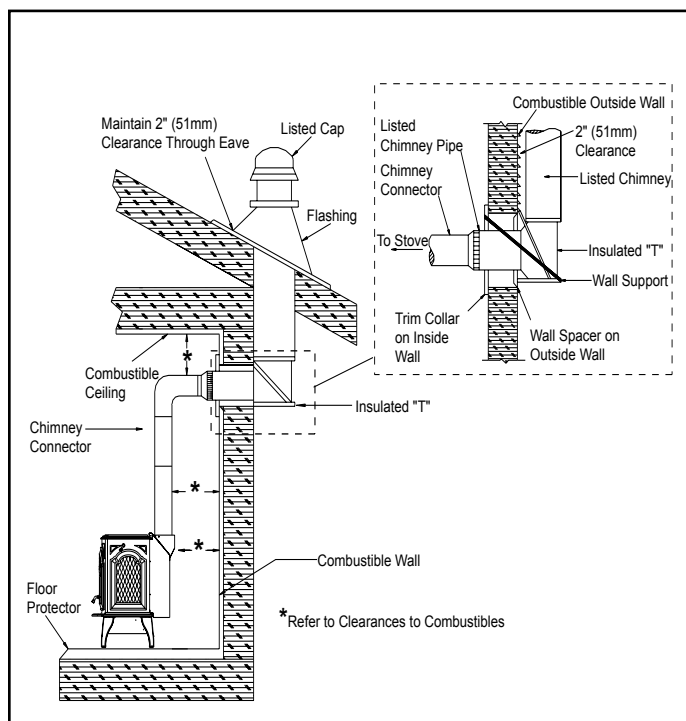


Figure 15A - Exterior Chimney

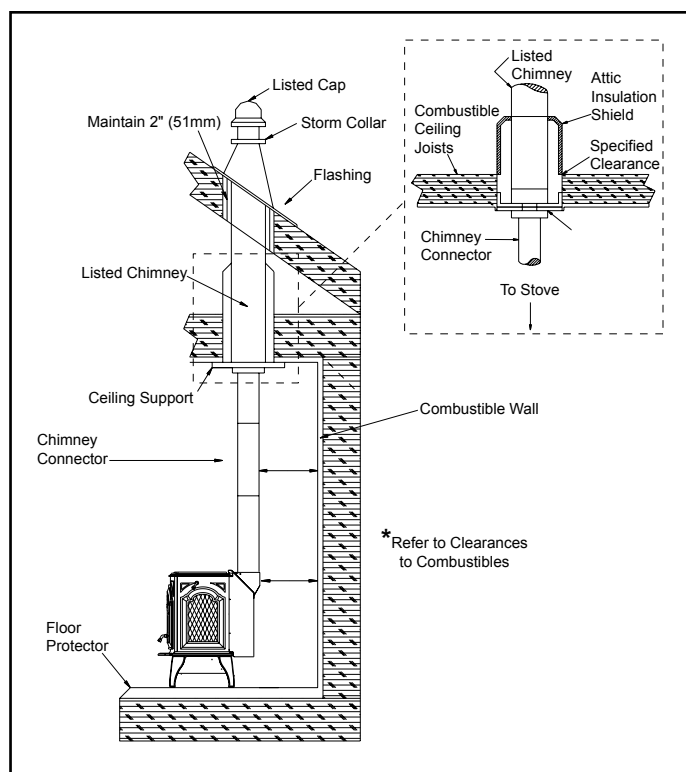


Figure 15B- Interior Chimney

MOBILE HOME INSTALLATION

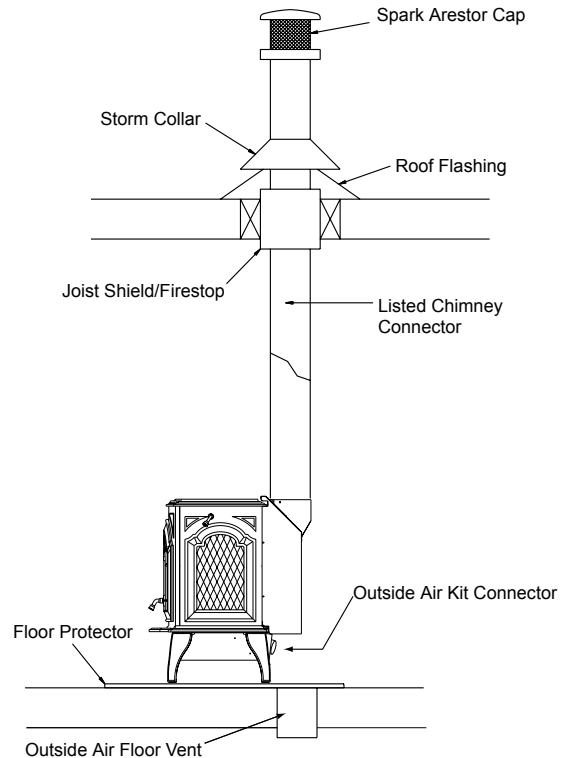
You must use a Quadra-Fire Outside Air Kit Part 831-1780 for installation in a mobile home.

1. An outside air inlet must be provided for combustion and must remain clear of leaves, debris, ice and/or snow. It must be unrestricted while stove is in use to prevent room air starvation which can cause smoke spillage and an inability to maintain a fire. Smoke spillage can also set off smoke alarms.
2. Stove must be secured to the mobile home structure. Use 1/4 inch (6mm) lag bolts with the appropriate length for your installation to secure stove through pad and into floor.
3. Stove must be grounded with #8 solid copper grounding wire or equivalent and terminated at each end with N.E.C. approved grounding device.
4. Stove must be installed with an approved UL103 HT ventilated chimney connector, UL103 HT chimney, and terminal cap with spark arrester. Never use a single wall connector (stove pipe) in a mobile home installation. Use only double-wall connector pipe, Dura-Vent DVL, Selkirk metalbestos DS, Security DL double wall connector or any listed double wall pipe connector.
5. **Refer to page 6** of this manual or the Serial Number label on the back of the stove for clearances to combustibles.
6. Floor protections requirements on **page 7** must be followed precisely.
7. In Canada, this appliance must be connected to a 6 inch (152mm) factory-built chimney conforming to CAN/ULC-629M, STANDARD FOR FACTORY BUILT CHIMNEYS. Floor protection referenced on **page 7** must be followed.
8. Use silicone to create an effective vapor barrier at the location where the chimney or other component penetrates to the exterior of the structure.
9. Follow the chimney and chimney connector manufacturer's instructions when installing the flue system for use in a mobile home.

NOTE: Offsets from the vertical, not exceeding 45°, are allowed per Section 905(a) of the Uniform Mechanical Code (UMC). Offsets greater than 45° are considered horizontal and are also allowed, providing the horizontal run does not exceed 75% of the vertical height of the vent. Construction, clearance and termination must be in compliance with the UMC Table 9C. This installation also complies with NFPA 211.

NOTE: Top sections of chimney must be removable to allow maximum clearance of 13.5 ft. (411cm) from ground level for transportation purposes.

10. Burn wood only. Other types of fuels may generate poisonous gases (e.g., carbon monoxide).
11. If unit burns poorly while exhaust blower is on in home, (i.e. kitchen range hood) increase combustion air.



WARNING: NEVER DRAW COMBUSTION AIR FROM A WALL, FLOOR OR CEILING CAVITY OR FROM ANY ENCLOSED SPACE SUCH AS AN ATTIC OR GARAGE.

CAUTION: THE STRUCTURAL INTEGRITY OF THE MOBILE HOME FLOOR, WALL AND CEILING/ROOF MUST BE MAINTAINED. (i.e., DO NOT CUT THROUGH FLOOR JOIST, WALL STUD, CEILING TRUSS, ETC.)

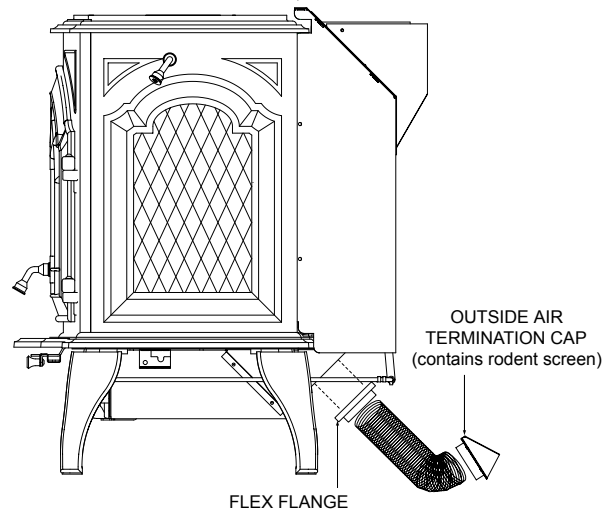
WARNING: DO NOT INSTALL IN SLEEPING ROOM.

OUTSIDE AIR KIT INSTALLATION

Included in Kit: 1 flex flange; 2 cable ties; outside air termination cap; mounting screws (Discard the remaining parts).

Items Needed for Installation: 4 inch (102mm) diameter flex pipe in the length as required for your installation; Phillips screwdriver; Silicone sealant; Drills and saws necessary for cutting holes through the wall or flooring in your home.

1. Remove all materials from packing box.
2. Mount the flex flange (with pipe fitting extending out), over the intake air opening at the rear of stove using the four mounting screws supplied with kit.
3. Cut a 4 inch (102mm) minimum hole in the floor or wall to accommodate outside air piping. Use 4 inch (102mm) metal flex or rigid piping to directly connect outside air to the unit or into vented crawl space. (Do not put flex into a non-vented crawl space). If using flex tubing attach cable ties to secure tubing at both ends. Use the supplied termination cap with a rodent screen. Seal between the floor or wall and the pipe with silicone to prevent moisture penetration.



NOTE: If you plan to install the optional blower **and** the outside air kit, complete installation of the outside air kit **first**.

INSTALLATION OF OPTIONAL BLOWER

The blower is shipped fully assembled and ready for installation.

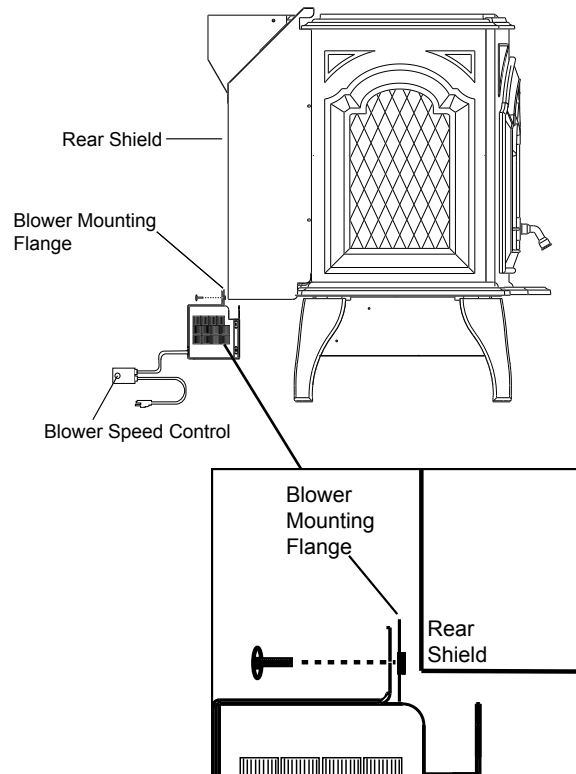
1. Remove 3 Phillips head screws from rear of unit.
2. Using the Phillips head screws, attach blower to lower rear of stove, as shown.
3. Plug blower cord into a grounded outlet. Do not remove ground prong from plug. Route power cord to avoid heat from the stove, or other damage. Do not route cord under or in front of appliance.
4. Adjust the blower speed control to the desired speed.

ADJUSTING THE BLOWER SPEED CONTROL,* If Necessary



**The blower speed control for this unit is adjusted at the factory, and normally does not require further adjustment.*

NOTE: When the speed control is turned clockwise, it will click on to high speed. Turn the speed control clockwise to decrease the speed. At full clockwise, the blower should blow gently, but should not stop.

1. With the unit plugged in, turn the speed control knob to slow (full clockwise).
2. With a small screwdriver, adjust the blower speed by turning the adjustment mechanism through the hole on the side of the speed control.
3. Adjust the speed so the blower runs slowly, but does not stop. Turn clockwise to slow the blower and counterclockwise to increase the speed.



OPERATING INSTRUCTIONS
IMPORTANT - PLEASE READ BEFORE USING STOVE**OVER-FIRING YOUR APPLIANCE**

	WARNING
	Fire Risk Do not over-fire. Over-firing may ignite creosote or will damage the stove and chimney. To prevent over-firing your stove, DO NOT: <ul style="list-style-type: none">• Use flammable liquids• Overload with wood• Burn trash or large amounts of scrap lumber• Permit too much air to the fire

1. Symptoms of Over-Firing

Symptoms of over-firing may include one or more of the following:

- Chimney connector or appliance glowing
- Roaring, rumbling noises
- Loud cracking or banging sounds
- Metal warping
- Chimney fire

2. What To Do if Your Stove is Over-Firing

- Immediately close the door and air controls to reduce air supply to the fire.
- If you suspect a chimney fire, call the fire department and evacuate your house.
- Contact your local chimney professional and have your stove and stove pipe inspected for any damage.
- Do not use your stove until the chimney professional informs you it is safe to do so.

Hearth & Home Technologies WILL NOT warranty stoves that exhibit evidence of over-firing. Evidence of over-firing includes, but is not limited to:

- Warped air tube
- Deteriorated refractory brick retainers
- Deteriorated baffle and other interior components

BURNING PROCESS

In recent years there has been an increasing concern about air quality. Much of the blame for poor air quality has been placed on the burning of wood for home heating. In order to improve the situation, we at Quadra-Fire have developed cleaner-burning wood stoves that surpass the requirements for emissions established by our governing agencies. These wood stoves, like any other appliances, must be properly operated in order to insure that they perform the way they are designed to perform. Improper operation can turn most any wood stove into a smoldering environmental hazard.

KINDLING or 1st STAGE

It helps to know a little about the actual process of burning in order to understand what goes on inside a stove. The first stage of burning is called the kindling stage. In this stage, the wood is heated to a temperature high enough to evaporate the moisture which is present in all wood. The wood will reach the boiling point of water (212°F / 100C) and will not get any hotter until the water is evaporated. This process takes heat from the coals and tends to cool the stove.

Fire requires three things to burn: fuel, air and heat. So, if heat is robbed from the stove during the drying stage, the new load of wood has reduced the chances for a good clean burn. For this reason, it is always best to burn dry, seasoned firewood. When the wood isn't dry, you must open the air controls and burn the stove at a high burn setting for a longer time to start it burning. The heat generated from the fire should be warming your home and establishing the flue draft, not evaporating the moisture out of wet, unseasoned wood, resulting in wasted heat.

The air control to the right of the stove is called the Start-Up Air Control; it is used during the kindling stage of burning. It must be closed (pulled out) after the first 5 to 15 minutes. **Figure 18A.**

2nd STAGE

The next stage of burning, the secondary stage, is the period when the wood gives off flammable gases which burn above the fuel with bright flames. During this stage of burning it is very important that the flames be maintained and not allowed to go out. This will ensure the cleanest possible fire. If you are adjusting your stove for a low burn rate, you should close down the air to the point where you can still maintain some flame. If the flames tend to go out, the stove is set too low for your burning conditions. The air control slide in the center of the stove, beneath the ashcatcher, is the one used to adjust the stove for burn rates. This is called the Primary Air Slide Control.

FINAL STAGE

The final stage of burning is the charcoal stage. This occurs when the flammable gases have been mostly burned and only charcoal remains. This is a naturally clean portion of the burn. The coals burn with hot blue flames.

It is very important to reload your stove while enough lively hot coals remain in order to provide the amount of heat needed to dry and rekindle the next load of wood. It is best to open the air controls for a short while **before reloading**. This livens up the coalbed. Open door slowly so that ash or smoke does not exit stove through opening. You should also break up any large chunks and distribute the coals so that the new wood is laid on hot coals.

Air quality is important to all of us, and if we choose to use wood to heat our homes we should do so responsibly. To do this we need to learn to burn our stoves in the cleanest way possible. Doing this will allow us to continue using our wood stoves for many years to come.

AIR CONTROLS

START-UP AIR SYSTEM

The combustion air enters at the rear of the firebox through the rear air tubes. This air supply is controlled by the Start-up Air Control. For more air push control in, for less air pull control out.

PRIMARY AIR SYSTEM

The primary air enters below the ash catcher and is directed to the upper front of the firebox, near the top of the glass door and to the lower front of firebox. This preheated air supplies the necessary fresh oxygen to mix with the unburned gases, helping to create secondary, tertiary and quaternary combustions. This air is regulated by the Primary Air Slide Control. For more primary air slide control left, for less air, slide control to the right.

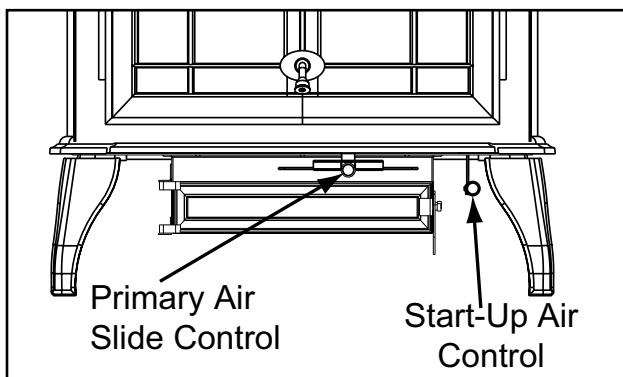


Figure 19A

Primary Slide Control

OPEN - SLIDE LEFT

CLOSE - SLIDE RIGHT

Start-Up Control

OPEN - PUSH IN

CLOSED - PULL OUT

**OPERATING INSTRUCTIONS (Cont'd)
HEAT OUTPUT SETTINGS**

For maximum operating efficiency with the lowest emissions, follow these operating procedures:

1. Regardless of desired heat output, when loading stove, burn your Quadra-Fire with both air controls wide open for 5 to 15 minutes.
2. Regulate burn rate (heat output) by using the Primary Air Slide Control (center under ashcatcher). The Start-Up Air Control (on the right) is used for initial start-up and reloading.
3. Heat output settings are listed below, following 5 to 15 minutes of burning with controls wide open (**see #1 above**):
4. Burn dry, well-seasoned wood.

BTU / Hr	Start-Up Air Control	*Primary Air Slide Control
Below 10,000	Closed after 5 to 15 minutes	Slide to right
10,000 - 15,000	Closed after 5 to 15 minutes	1/8 to 1/2" open (slide to left)
15,000 - 40,000	Closed after 5 to 15 minutes	1/2" to 1-1/8" open (slide to left)
Maximum Heat	Closed after 5 to 15 minutes	Fully open (all the way left)

WARNING: Do not operate with Start-Up Air Control in the open position in excess of 15 minutes! Risk of extreme temperatures! Prolonged operation of this stove with the Start-Up Air Control in the open position may cause the combustible materials around the stove to exceed safe temperature limits.

NOTE: *These are approximate settings, and will vary with type of wood or chimney draft. Due to altitude and other environmental circumstances, this operation information is a guideline only. Similar burn rates may be obtained using other settings unique to your situation.*

OPERATING THE TOP LOADING OPTION

NOTE: This stove is provided with 3 fiber door handles for the door, baffle by-pass handle and the top-loading griddle slot.

CAUTION! SHIPPING BOLTS MUST BE REMOVED PRIOR TO REMOVING GRIDDLE.

1. Using a 7/16 wrench, remove the 2 shipping bolts underneath the griddle before lifting the griddle off of stove.
2. Open by-pass door by moving the side handle towards rear of stove.
3. Wait 15 seconds to allow smoke to clear out of firebox.
4. Slowly open top loading door and load unit with fuel.
5. Close the top door.
6. Close the by-pass door (move side handle towards front of stove.)

CAUTION! IF THE DOOR HANDLE IS LEFT ON THE STOVE DURING OPERATION, IT MAY OVERHEAT AND CAUSE BURNS TO YOUR HAND, EITHER REMOVE THE HANDLE DURING OPERATION, OR WEAR PROTECTIVE GLOVES. ALSO, USE CARE WHEN OPERATING THE DRAFT CONTROL KNOBS AS THEY ALSO BECOME HOT DURING OPERATION.

WARNING! ALWAYS OPERATE THIS APPLIANCE WITH THE DOOR CLOSED AND LATCHED EXCEPT DURING START-UP AND RE-FUELING OR WHEN USING THE FIRESCREEN.

NOTE: See **page 21** for operation considerations with a blower installed.

OPERATING INSTRUCTIONS (Cont'd)

CAUTION: Before lighting your first fire in the stove: 1) make certain that the baffle is correctly positioned. It should be resting against the rear support; 2) Follow instructions on page 22 for cleaning plated surfaces, and; 3) Remove all labels from glass front.

CAUTION: Never use gasoline, gasoline-type lantern fuel, kerosene, charcoal lighter fluid, or similar liquids to start or "freshen up" a fire in this heater. Keep all such liquids well away from the heater while it is in use.

BUILDING A FIRE

There are many ways to build a fire. The basic principle is to light easily-ignitable tinder or paper, which ignites the fast burning kindling, which in turn ignites the slow-burning firewood. Here is one method that works well:

1. Place several wads of crushed paper on the firebox floor. *Heating the flue with slightly crumpled newspaper before adding kindling keeps smoke to a minimum.*
2. Lay small dry sticks of kindling on top of the paper.
3. Open Start-Up Air Control and Primary Air Slide Control fully. After 5 to 15 minutes, when the fire is well established, gently pull Start-Up Air Control forward until resistance is felt. Do not allow control to "spring back" into the open position.
4. Make sure that no matches or other combustibles are in the immediate area of the stove. Be sure the room is adequately ventilated and the flue unobstructed.
5. Light the paper in the stove. NEVER light or rekindle stove with kerosene, gasoline, or charcoal lighter fluid; the results can be fatal.
6. Once the kindling is burning quickly, add several full-length logs 3 inches (76mm) or 4 inches (102mm) in diameter. Be careful not to smother the fire. Stack the pieces of wood carefully: near enough to keep each other hot, but far enough away from each other to allow adequate air flow between them.
7. When ready to reload the stove, add more logs. Large logs burn slowly, holding a fire longer. Small logs burn fast and hot, giving quick heat.
8. Adjust the Start-Up Air Control and Primary Air Slide Control; the more you close down (slide right) the Primary Air Slide Control, the lower and slower the fire will burn. The more you open (slide left) the Primary Air Slide Control, the more heat will be produced. The Start-Up Air Control is only used for the first 5 to 15 minutes.
9. As long as there are hot coals, repeating steps 7 and 8 will maintain a continuous fire throughout the season.

NOTE: The special high temperature paint that your stove is finished with will cure as your stove heats. You will notice an odor and perhaps see some vapor rise from the stove surface; this is normal. We recommend that you open a window until the odor dissipates and paint is cured.

NOTE: Stove should be run full open for 15 minutes a day to keep air passages clean.

WARNING! DO NOT LEAVE THE FIRE UNATTENDED WHEN THE DOOR IS UNLATCHED OR WHEN USING THE FIRESCREEN. UNSTABLE FIREWOOD COULD FALL OUT OF THE FIREBOX CREATING A FIRE HAZARD TO YOUR HOME.

OPACITY

This helps to determine how cleanly your stove is burning. Opacity is measured in percent; 100% opacity is when an object is totally obscured by the smoke column from a chimney, and 0% opacity means that no smoke column can be seen. As you become familiar with your stove, you should periodically check the opacity of the smoke column emitted from your chimney. This will allow you to know how to burn your stove as nearly smoke-free as possible (aim for a goal of 0% opacity).

OPERATING INSTRUCTIONS (Cont'd)**BURN RATES**

- **STARTING FIRE:** Start fire with both controls fully open (Start-up Air Control pushed all the way IN and Primary Slider Control all the way to the LEFT.) Close Start-up Air Control after approximately 5 to 15 minutes,
- **HIGH:** Leave the Primary Air Slide Control fully open. It is important to do this when reloading the stove. Failure to do this could result in excessive emissions (opacity).

After a wood load has been burning for 5 to 15 minutes on High set the controls as listed below to achieve the following burn rates:

- **MEDIUM HIGH:** Close the Primary Slide Control to 1/2 inch to 1-1/8 inches (13mm to 29mm) open. (Slide left to open, right to close). Start-Up Air Control is closed.
- **MEDIUM LOW:** Close the Primary Slide Control to 1/8 inch to 1/4 inch (3mm to 13mm) open. Start-Up Air Control is closed.
- **LOW:** Gradually close down the Primary Slider control, making sure to maintain flames in the stove. Start-Up Air Control is closed. It is very important to maintain flames in your stove during the first few hours of a low burn to avoid excessive air pollution.

WOOD SELECTION AND STORAGE

<p>CAUTION: DO NOT STORE WOOD CLOSER THAN THE REQUIRED CLEARANCE TO COMBUSTIBLES OF THE STOVE WITHIN THE SPACE REQUIRED FOR FUELING AND ASH REMOVAL</p>
--

Burn only dry seasoned wood! This will not only minimize creosote formation, but also provide the most efficient heat output. Even dry wood contains at least 15% moisture by weight and should be burned hot enough to keep the chimney hot for as long as it takes to maintain particulate (smoke) burning. It is a waste of energy to burn unseasoned wood of any variety. The heat generated from the fire should be warming your home and establishing the flue draft, not evaporating the moisture out of wet, unseasoned wood, resulting in wasted heat.

Dead wood lying on the forest floor should be considered wet, and requires full seasoning time. Standing dead wood can be considered to be about two-thirds seasoned. To tell if wood is dry enough to burn, check the ends of the logs. If there are cracks radiating in all directions from the center, it is dry. If your wood sizzles in the fire, even though the surface is dry, it may not be fully cured. Splitting wood before it is stored reduces drying time. Wood should be stacked so that both ends of each piece are exposed to air, since more drying occurs through the cut ends than the sides. This is true even with wood that has been split. Store wood under cover, such as in a shed, or covered with a tarp, plastic, tar paper, sheets of scrap plywood, etc., as uncovered wood can absorb water from rain or snow, delaying the seasoning process.

OPTIONAL BLOWER OPERATING INSTRUCTIONS

1. **Initial (cold) start-up:** Leave blower off until your stove is hot and a good coalbed is established. The blower may be turned on approximately 30 minutes after a good coalbed is established.
2. **High burn setting:** The blower may be left on throughout the burn at your desired setting.
3. **Medium burn settings:** The blower should be left off until a good burn is established, then turned on at your desired setting.
4. **Low burn setting:** The blower tends to cool off the stove. Leave blower off until burn is well established. Then turn on at your desired rate.
5. The highest blower speed is obtained by turning the speed control on and then adjusting counterclockwise towards "OFF" as far as possible without turning the blower off. For a low blower speed, turn the control knob clockwise as far as possible.

MAINTENANCE

CREOSOTE

FORMATION AND NEED FOR REMOVAL: When wood is burned slowly it produces tar and other organic vapors which combine with expelled moisture to form creosote. The creosote vapors condense in the relatively cool chimney flue of a newly-started or a slow-burning fire. As a result, creosote residue accumulates on the flue lining. When ignited, this creosote creates an extremely hot fire which may damage the chimney or even destroy the house. The chimney connector and chimney should be inspected at least once every two months during the heating season to determine if a creosote or soot build-up has occurred. If creosote has accumulated, it should be removed to reduce the risk of a chimney fire.

INSPECTION: The chimney connector and chimney should be inspected at least once every two months during the heating season to determine if a soot or creosote buildup have occurred. Inspect the system at the stove connection and at the chimney top. Cooler surfaces tend to build creosote deposits quicker, so it is important to check the chimney from the top as well as from the bottom.

REMOVAL: If soot or creosote have accumulated, it should be removed to reduce the risk of a chimney fire. Use a brush specifically designed for the type of chimney in use. A chimney sweep can perform this service. It is also recommended that before each heating season the entire system be professionally inspected, cleaned, and repaired if necessary.

Prior to brushing the chimney clean, follow these steps to ensure that the accumulation of ash and creosote falls directly into the firebox for removal.

CHIMNEY CLEANING

1. Remove all ash from the firebox and extinguish all hot embers before disposal. Allow the stove to cool completely.
2. Close the door tightly and proceed with sweeping the chimney.
3. Sweep the collected ashes into the ash removal box, and empty. Clean out the remaining ashes from firebox.
4. Open top-loading door and vacuum out.

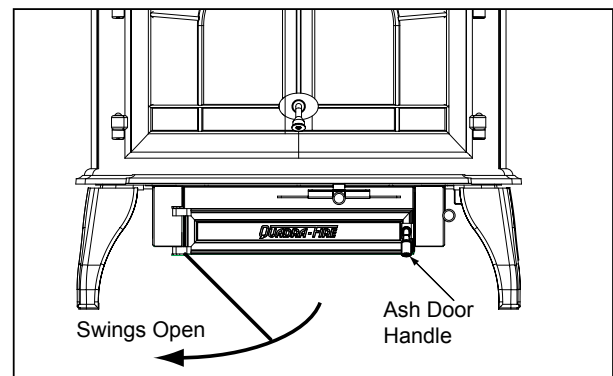
ASH REMOVAL & DISPOSAL

The stove is equipped with an ash removal system. We recommend emptying the ash pan at least once a week when the stove is in constant operation. The amount of ash is dependent on the type of wood being burned.

DO NOT ALLOW ASHES TO BUILD UP IN THE ASHPAN UNTIL THEY REACH THE GRATE. THIS WILL LEAD TO PREMATURE DETERIORATION OF THE GRATE AND MAKE IT DIFFICULT TO EMPTY THE ASH PAN.

TO EMPTY THE ASH PAN AND DISPOSE OF ASHES:

1. Allow the stove to cool completely.
2. **CAUTION ! Ash coals can remain extremely hot for several days. Protect your hands with gloves when removing the ash pan.**
3. **DO NOT OPERATE WITH ASH PAN DOOR OPEN OR WITH ASH PAN REMOVED.** The hinged door will open from the right hand side. Pull ash pan out carefully.
4. Ashes should be placed in a metal container with a tight fitting lid. The closed container of ashes should be placed on a noncombustible floor or on the ground, well away from all combustible materials, pending final disposal. If the ashes are disposed of by burial in soil or otherwise locally dispersed, they should be retained in the closed container until all cinders have thoroughly cooled.
5. Replace ash pan and close ash door handle.



FIREBRICK

The firebox of your Quadra-Fire stove is lined with high quality firebrick, which has exceptional insulating properties. There is no need to use a grate; simply build a fire on the firebox floor of your stove. Do not operate stove without firebrick.

MAINTENANCE (CONT'D)**GLASS CARE**

NOTE: Remove all labels from glass prior to lighting the first fire.

This stove is equipped with ceramic, heat-resistant glass, which can only be broken by impact or misuse. Do not slam the stove door or impact the glass. When closing the door, make sure that logs do not protrude against the glass.

Inspect the glass regularly for cracks or breaks. If you detect a crack or break, extinguish the fire immediately and contact your Dealer for replacement.

A portion of the combustion air entering the firebox is deflected down over the inside of the door glass. This air flow "washes" the glass, helping to keep smoke from adhering to its surface. When operated at a low burn rate, less air will be flowing over the glass and the smokey, relatively cool condition of a low fire will cause the glass to become coated. Operating the stove with the Primary Air Control all the way open for 15-20 minutes should remove the built up coating. If the deposits on the glass are not very heavy, normal glass cleaners work well. Heavier deposits may be removed by using a damp cloth dipped in wood ashes or by using a commercially available oven cleaner. After using an oven cleaner, it is advisable to remove any residue with a glass cleaner or soap and water. Oven cleaner left on during the next firing can permanently stain the glass and damage the finish on plated metal surfaces.

Do not clean the glass with abrasive materials that may scratch or otherwise damage the glass. Scratches on the glass can develop into cracks or breaks. Never attempt to clean the glass while a fire is in the unit. The best method for maintaining clean glass is to operate the stove efficiently by using dry well seasoned wood and burning moderate to hot fires.

WARNING !

DO NOT OPERATE THE WOODSTOVE IF THE DOOR GLASS IS BROKEN OR MISSING. DANGEROUS OVERFIRING CAN OCCUR WHICH CAN DAMAGE THE APPLIANCE OR IGNITE CREOSOTE IN THE CHIMNEY, POSSIBLY CAUSING A HOUSE FIRE.

GLASS REPLACEMENT**Replace with 5mm ceramic glass only**

1. Ensure that the fire is out and the appliance is cool to the touch.
2. Protect a table or counter top with padding or towels.
3. Remove door with broken glass from the appliance by lifting door up and off of the hinges.
4. Lay door face down on a table or counter making sure handle and handle attachment knob hang over the edge of the table top so door lays flat, on a soft surface.
5. Remove the screws from each glass retainer.
6. Remove the glass.
7. Position the glass with edges evenly overlapping the opening in the front door.
8. Replace the glass retainers. Be careful not to cross thread the screws.
9. Tighten each retainer just a few turns until each is secured. Then continue to tighten each retainer alternately, a few turns at a time, until the glass panel is tightened snugly.
10. Replace the door on the appliance.

CARE AND CLEANING OF PLATED SURFACES

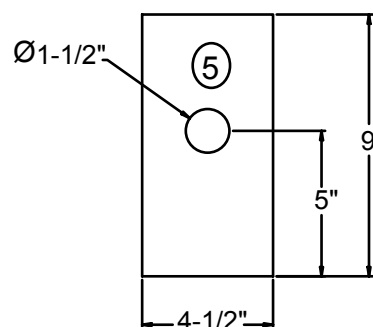
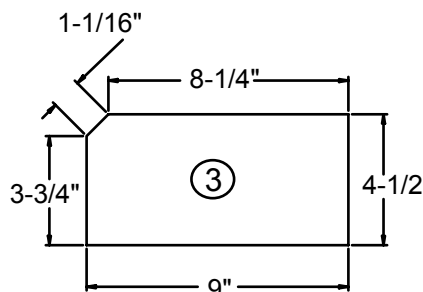
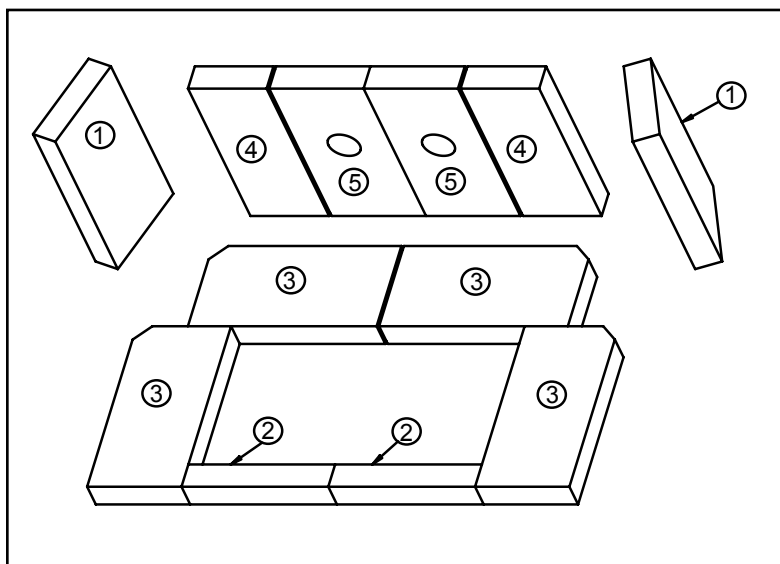
Clean plated surfaces with vinegar or a glass cleaner before lighting your first fire.

CAUTION: Do not use polishes with abrasives as it will scratch the surface.

MAINTENANCE

FIREBRICK REPLACEMENT

Ensure that the firebricks are correctly positioned as referenced by diagram below, and that the firebox does not contain any broken brick prior to operating the unit.

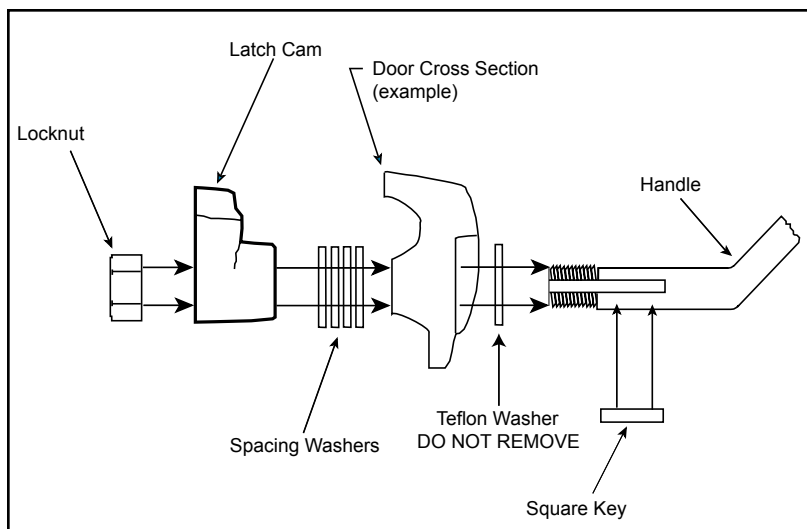


Nbr	Brick Size	Qty
1	9 x 4-1/2 x 1-1/4"	2
2	7 x 1-1/4 x 1-1/4"	2
3	9 x 4-12/ x 1-1/4" w/cut	4
4	9 x 3-3/4" x 1-1/4"	2
5	9 x 4-12/ x 1-14" w/hole	2

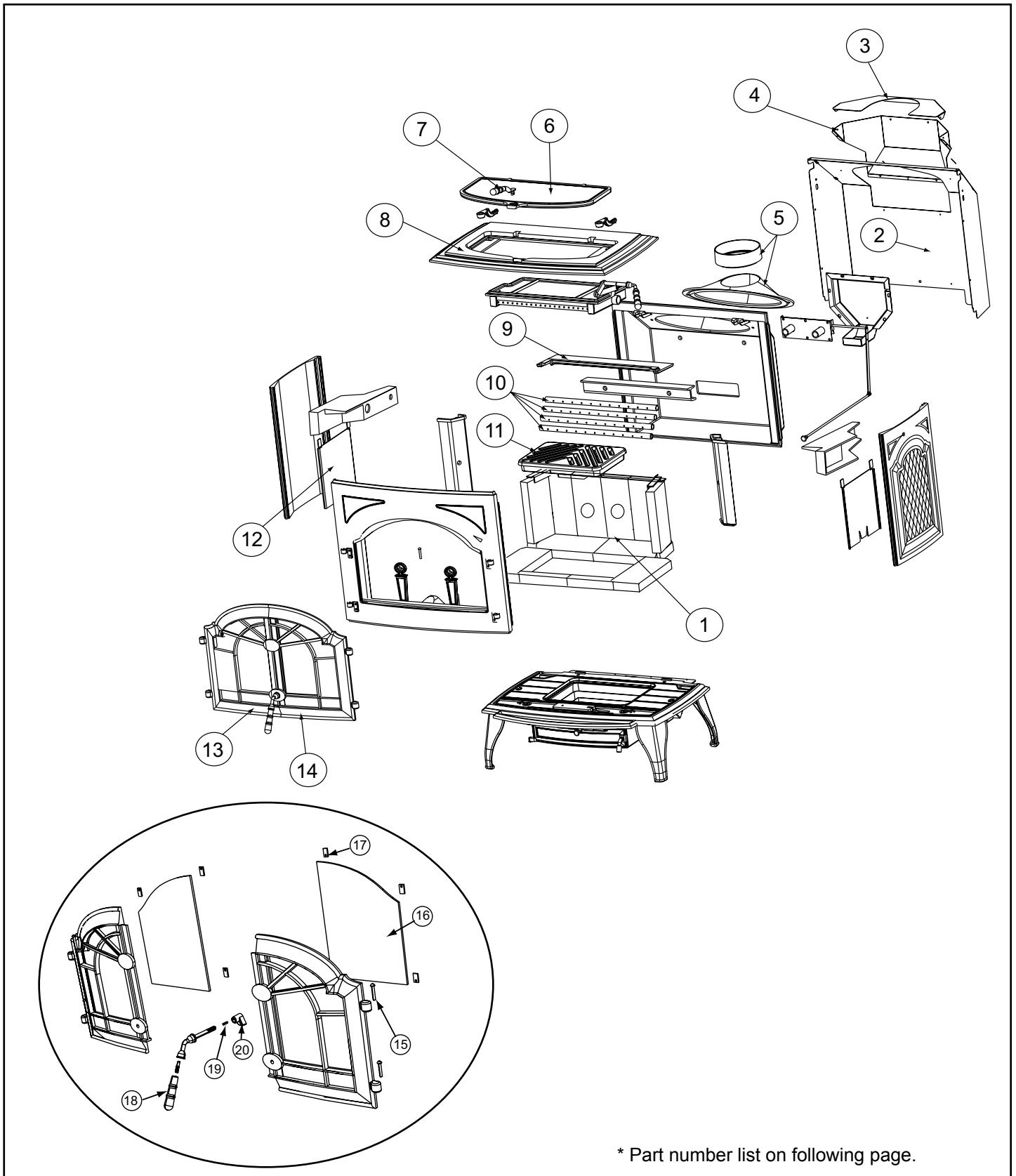
Use Part 832-0550 when ordering individual brick. Please provide brick dimensions or copy this page and mark the desired brick and take it to your authorized dealer.

DOOR & GASKET

Periodically check the door gasket for proper seal. As the gasket compresses or "seats" during use, it may become necessary to adjust or tighten the door latch either by removing spacer washers, shown below (at least one washer must be left in place) or, by replacing the gasket material as wear or damage to the gasket material can cause air leakage into the firebox resulting in overfiring and loss of efficiency. A replacement gasket is available from your dealer.



Exploded Views



* Part number list on following page.

Service Parts

IMPORTANT: THIS IS DATED INFORMATION. The most current information is located on the Quadra-Fire web site at www.quadrafire.com. When ordering, supply serial and model numbers to ensure correct part.

Item #	Part Description Alphabetical Order	SKU
	Andiron Brackets, Pair	832-3610
	Andirons with Brackets	844-8980
	Ash Removal System Handle Assembly	472-5060
	Ash Box Hinge	434-0310
	Ash Lip Must specify color.	29125
	Ash Pan	434-0330
	Ash Removal Door	434-0300
11	Ash Removal Grate	834-4100
	Baffle Assembly	SRV434-5010
9	Baffle Back Plate	434-0370
	Baffle Control Cam	434-0080
	Baffle Repair Kit	834-4040
	Baffle, Cast	434-0110
	Baffle, Lever	434-0100
	Blower Assembly	831-1701
	Blower Cord with Speed Control	821-0110
	Blower Cover Plate, Rear Vent	434-7060
	Blower Only, Service	812-4900
	Brick Retainer	434-0460
1	Brick Set	834-3860
	Bricks with Hole (2)	SRV434-0620
	Brick, Single, Uncut, Pumice	832-0550
20	Cam Latch	32084
	Component Pack, Matte Black (Includes Owner's Manual; Griddle Handle; Fiber Handle; Warranty Card; Touch-up Paint)	MBK: 434-5160 PMH: 434-5220
	Control System Control Rod	31940
	Door Hinge, Left	434-0470
	Door Hinge, Right	434-0480
13	Door, Left, Matte Black	844-9640MBK
13	Door, Left, Porcelain (Must specify color).	844-9650POR
14	Door, Right, Matte Black	844-9680MBK
14	Door, Right, Porcelain (Must specify color).	844-9690POR
	Fiberboard, Baffle	434-0650
	Fiberboard, Rear	434-0660
4	Flue Shield, Bottom	434-0680
3	Flue Shield, Top	434-0670
5	Flue Transition Assembly	7006-019
	Gasket, Glass Rope, 1/4", 10 ft.	834-1460
	Gasket, Rope, Door	834-4170
16	Glass Assembly	434-5230

Service Parts

IMPORTANT: THIS IS DATED INFORMATION. The most current information is located on the Quadra-Fire web site at www.quadrafire.com. When ordering, supply serial and model numbers to ensure correct part.

Item #	Part Description Alphabetical Order	SKU
17	Glass Retainer Clip	32178
6	Griddle	834-4190
	Griddle Hinge	434-0440
7	Griddle Tool	834-4000
	Handle, Baffle, Gold	834-4080
	Handle, Baffle, Nickel	7000-114
18	Handle, Fiber	SRV433-1380
	Handle, Replacement Kit, Gold	834-3850GD
	Handle, Replacement Kit, Nickel	834-3850NL
15	Hinge Pin, Nickel, Button Head Rivet	433-1590
15	Hinge Pin, Gold, Button Head Rivet	Qty 1: 72171
	Horizontal Flue Kit	834-3790
	Knob, Air Control	32284
19	Latch Cam, Key	430-1151
	Leg, Matte Black	26404MBK
	Leg, Porcelain, Mahogany	26404PMH
	Manifold Clip/Screws (4)	832-0661
10	Manifold Tube Set	832-3360
2	Rear Shield	434-0500
	Speed Control	842-0370
	Tool Holder Assembly	434-5150
8	Top Plate, Matte Black	434-0050
8	Top Plate, Porcelain (Must specify color).	832-3380
12	Wear Plate, Stainless Steel	434-0640

Accessories	Part No.
Blower	831-1701
Brackets with Mitten Rod, Gold, WSB2G-2	844-7980
Brackets with Mitten Rod,, Black, WSB2-2	844-7970
Firescreen, (USA installations only)	834-3610
Outside Air Kit	831-1780
Warming Shelves, Matte Black, WS3-2 MBK	834-3531
Warming shelves, Porcelain Mahogany, WS3-2 PMH	834-4110

Warranty Policy

Hearth & Home Technologies LIMITED WARRANTY

Hearth & Home Technologies (“HHT”) and its respective brands extends the following warranty for HHT gas, wood, pellet and electric appliances purchased from an authorized HHT dealer and installed in the United States of America or Canada. Warranty starts with date of purchase by the original owner (End User) except as noted for replacement parts.

Warranty Period		HHT Manufactured Appliances and Venting						Components Covered
Parts	Labor	Gas	Wood	Pellet	EPA Wood	Electric	Venting	
1 Year		X	X	X	X	X	X	All Parts and Material Except as covered by Conditions, Exclusion, and Limitations listed
2 years				X	X			Igniters, Electronic Components, and Glass
		X	X	X	X			Blowers
			X					Molded Refractory Panels
3 years				X				Firepots
5 years	3 years			X	X			Castings & Baffles
7 years	3 years		X	X	X			Firebox, HHT Chimney, Termination & Heat Exchanger
10 years	1 year	X						Burners, Logs & Refractory
Limited Lifetime	1 year	X						Firebox & Heat Exchanger
90 Days		X	X	X	X	X	X	All Replacement Parts
See Conditions, Exclusions, and limitations.							9-01-08	

CONDITIONS, EXCLUSIONS & LIMITATION OF LIABILITY

- This warranty applies to the original owner and is transferable up to two years from date of purchase to the new homeowner, provided the purchase was made through an authorized dealer or distributor of HHT, and the appliance remains in its original place of installation.
- The maximum amount recoverable under this warranty is limited to the purchase price of the product.
- In no event shall HHT be liable for any incidental or consequential damages caused by defects in the product.
- Adjustments, regular maintenance, cleaning and temporary repairs, or the failure to duplicate the problem in the home is not covered under this warranty.
- This limited warranty does not extend to or include surface finish on the appliance or terminations, door gasketing, glass gasketing, glass discoloration, firebrick, pellet logs, kaowool or other ceramic insulating materials. Rust and/or corrosion on any of the metal surfaces, cast iron components, baffles, firepots, doors, or firebox area are not covered by this warranty.

4021-645A 09-01-08

Hearth & Home Technologies LIMITED WARRANTY (Cont'd)

- Noise resulting from minor expansion, contraction, or movement of certain parts is normal and complaints related to this noise are not covered by this warranty.
- HHT's obligation under this warranty does not extend to damages resulting from: (1) installation, operation or maintenance of the appliance not in accordance with the installation instructions; operating instructions and the listing agent identification label furnished with the appliance; (2) installation which does not comply with local building codes; (3) shipping, improper handling, improper operation, abuse, misuse, accident or unworkmanlike repairs; (4) environmental conditions, inadequate ventilation or drafting caused by tight sealing construction of the structure or handling devices such as exhaust fans or forced air furnaces or other such causes; (5) use of fuels other than those specified in the operating instructions; (6) installation or use of components not supplied with the appliance or any other components not expressly authorized and approved by HHT; and/or (7) modification of the appliance not expressly authorized and approved by HHT in writing.
- This warranty does not apply to non-HHT venting components, hearth components or other accessories used in conjunction with the installation of this product.
- This warranty is void if the appliance has been over-fired or operated in atmospheres contaminated by chlorine, fluorine, or other damaging chemicals the appliance is subject to prolonged periods of dampness or condensation, or there is any damage to the appliance or other components due to water or weather damage which is the result of, but not limited to, improper chimney or venting installation.
- HHT's liability under this warranty is limited to the replacement and repair of defective components or workmanship during the applicable period. HHT may fully discharge all of its obligations under such warranties by repairing the defective component(s) at HHT's discretion. Shipping costs are not covered under this warranty.
- Some states do not allow exclusions or limitation of incidental or consequential damages, so those limitations may not apply to you. This warranty gives you specific rights; you may also have other rights, which vary from state to state.
- EXCEPT TO THE EXTENT PROVIDED BY LAW, HHT MAKES NO EXPRESS WARRANTIES OTHER THAN THE WARRANTY SPECIFIED HEREIN. THE DURATION OF ANY IMPLIED WARRANTY IS LIMITED TO DURATION OF THE WARRANTY SPECIFIED ABOVE.

This Limited Warranty is effective on all HHT appliances sold after September 01, 2008 and supersedes any and all warranties currently in existence.



If warranty service is needed, you should contact your installing dealer. If the installing dealer is unable to provide necessary parts or components, contact the nearest authorized HHT dealer or supplier.

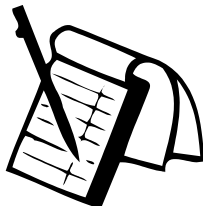
QUADRA-FIRE®

CONTACT INFORMATION:

Hearth & Home Technologies
1445 North Highway
Colville, WA 99114
Division of HNI INDUSTRIES
www.quadrafire.com

Please contact your Quadra-Fire dealer with any questions or concerns.
For the number of your nearest Quadra-Fire dealer,
call 1-800-926-4356

	CAUTION
	<ul style="list-style-type: none">• Do NOT discard this manual.• Important operating and maintenance instructions included.• Read, understand and follow these instructions for safe installation and operation.• Leave this manual with party responsible for use and operation.
	



Your Records for Model: Isle Royale Wood Stove

WHERE PURCHASED:

SERIAL NUMBER: _____

DATE PURCHASED: _____

DATE INSTALLED: _____

TELEPHONE: _____

This product may be covered by one or more of the following patents: (United States) 4593510, 4686807, 4766876, 4793322, 4811534, 5000162, 5016609, 5076254, 5113843, 5191877, 5218953, 5263471, 5328356, 5341794, 5347983, 5429495, 5452708, 5542407, 5601073, 5613487, 5647340, 5688568, 5762062, 5775408, 5890485, 5931661, 5941237, 5947112, 5996575, 6006743, 6019099, 6048195, 6053165, 6145502, 6170481, 6237588, 6296474, 6374822, 6413079, 6439226, 6484712, 6543698, 6550687, 6601579, 6672860, 6688302B2, 6715724B2, 6729551, 6736133, 6748940, 6748942, D320652, D445174, D462436; (Canada)1297749, 2195264, 2225408; or other U.S. and foreign patents pending.



Free Manuals Download Website

<http://myh66.com>

<http://usermanuals.us>

<http://www.somanuals.com>

<http://www.4manuals.cc>

<http://www.manual-lib.com>

<http://www.404manual.com>

<http://www.luxmanual.com>

<http://aubethermostatmanual.com>

Golf course search by state

<http://golfingnear.com>

Email search by domain

<http://emailbydomain.com>

Auto manuals search

<http://auto.somanuals.com>

TV manuals search

<http://tv.somanuals.com>